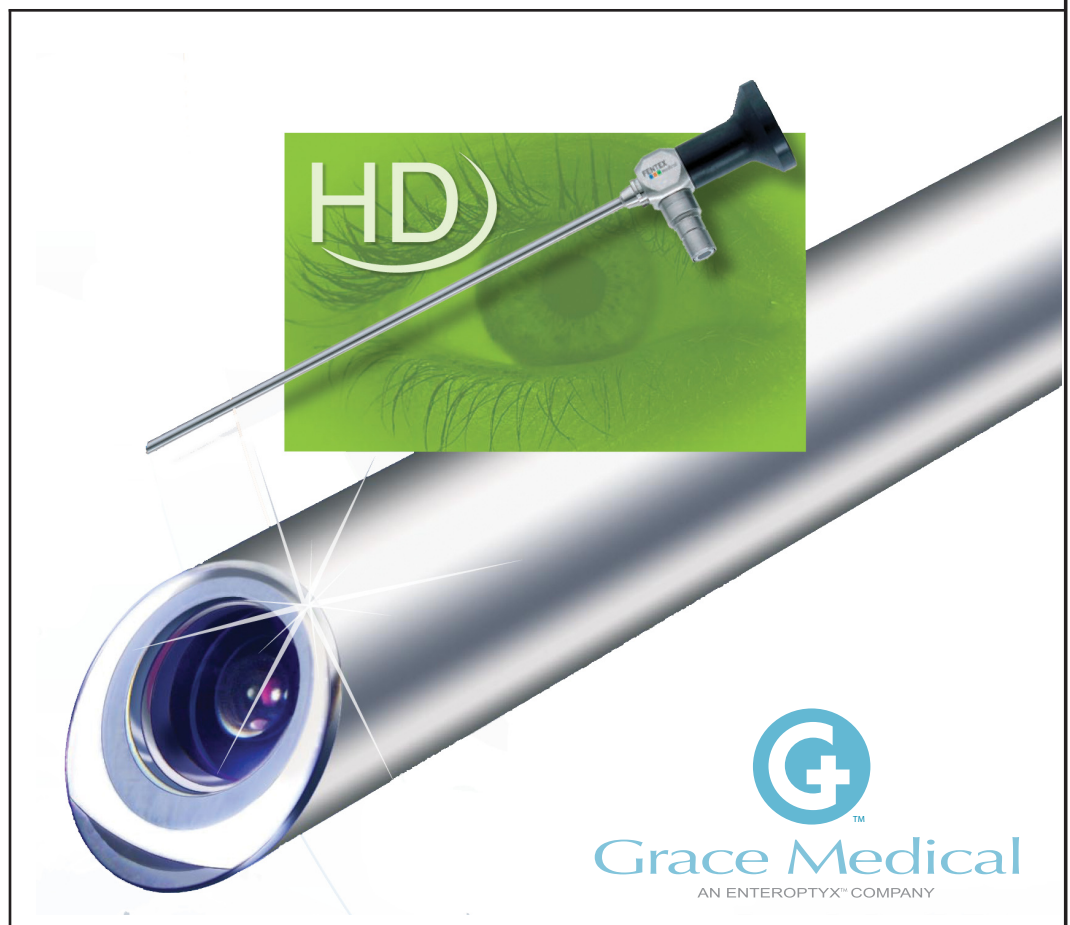


# High Definition Sinus Scope

## The World's First High-Definition 4mm Scope

The "True to Detail" image of our new High-Definition (HD) scope offers:

- Better identification of anatomical structures and subtle differences in tissue
- Greater depth perception
- 3-D effect to perform delicate instrument maneuvers more naturally and quickly
- Enhanced patient diagnoses, endoscopic treatment and video observations

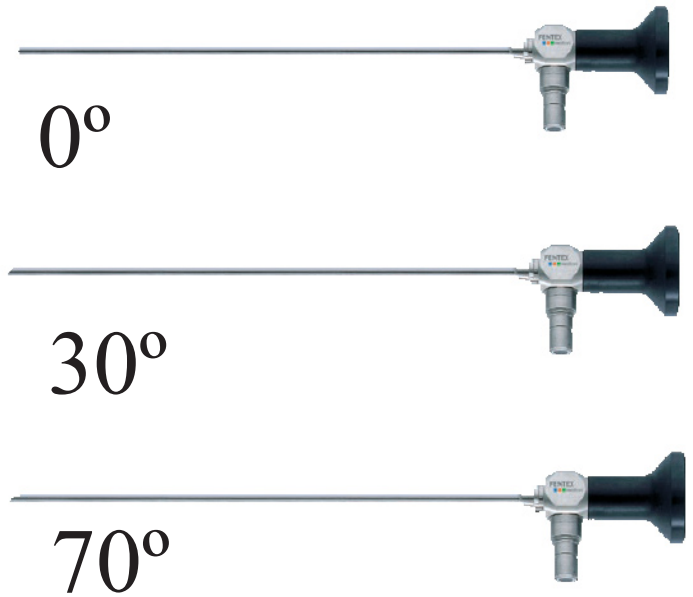
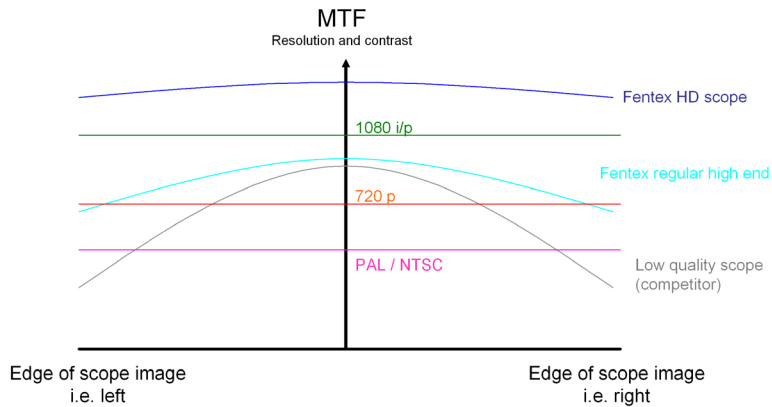


***Call now to trade in your non-HD scope and receive a 25% discount on a new HD scope***

High-Definition (HD) 4mm Sinus scopes are available in 0°, 30° and 70° with a working length of 185mm

## High-Definition (HD) Scopes

750300FX	HD Hi-View Scope 0°, 4mm, 180mm
750330FX	HD Hi-View Scope 30°, 4mm, 180mm
750370FX	HD Hi-View Scope 70°, 4mm, 180mm



### Brilliant Optics

Lens Material has been optimized for the highest clarity and light transmission. Precise lens grinding technologies provide high resolution / low distortion to the peripheral edges of the lens.

### More Light

Our special light injection cone supplies more light to the distal endoscope tip for improved illumination and brighter images

### Unsurpassed Durability to Protect Your Investment

Scratch resistant windows made from sapphire guarantee a clear view for many years of clinical use. Our unique triple tube design facilitates a high bending resistance and very efficient lens cracking protection.

### Outstanding Autoclave Performance

Sealing of the optical system without use of adhesives or elastomers. Laser welded joints yield outstanding autoclave performance.

### Quality Manufacturing

All components of our endoscopes are designed and manufactured in Germany, according to GMP standards.

## Non-HD Sinus Scopes

750100FX	Hi-View Scope 0°, 4mm, 180mm
750130FX	Hi-View Scope 30°, 4mm, 180mm
750145FX	Hi-View Scope 45°, 4mm, 180mm
750170FX	Hi-View Scope 70°, 4mm, 180mm
728100FX	Hi-View Scope 0°, 2.7mm, 190mm
728130FX	Hi-View Scope 30°, 2.7mm, 190mm
728170FX	Hi-View Scope 70°, 2.7mm, 190mm