



ACTION LADY

**CATALOGO RICAMBI
SPARE PARTS CATALOGUE
CATALOGUE PIECES DETACHEES
ERSATZTEILKATALOG**

- 2 - PER LA RICHIESTA DI PEZZI DI RICAMBIO - FOR SPARE PARTS ORDERS
POUR LES COMMANDES DE PIECES DETACHEES - FÜR ERSATZTEILBESTELLUNGEN
- 3 - CARROZZERIA - OUTER CASE
CARROSSERIE - KAROSSERIE
- 5 - RUBINETTO/CAPPUCCINATORE - STEAM/WATER TAP/MILK FROTHING DEVICE
GROUP LAIT/ROBINET - HAHN/MILCHAUFSCÄUMER
- 6 - CALDAIA VAPORE - STEAM BOILER
CHAUDIERE VAPEUR - DAMPFKESSEL
- 7 - ASSIEME GRUPPO ECL ESPRESSO - BREWING GROUP UNIT ECL ESPRESSO
ENSEMBLE GROUPE DEBIT ECL ESPRESSO - BRUEHGRUPPENSATZ ECL ESPRESSO
- 11 - ASSIEME GRUPPO ECL CIALDA - BREWING GROUP UNIT ECL POD
ENSEMBLE GROUPE DEBIT ECL PASTILLE - BRUEHGRUPPENSATZ ECL POD
- 15 - KIT ALLACCIAMENTO RETE - KIT WATER MAINS CONNECTION
KIT RACCORD RESEAU HYDRAULIQUE - KIT WASSERANSCHLUSS

REV. N°	DATA / DATE / DATUM	MODIFICA / CHANGE / MODIFICATION / VERÄNDERUNG
1	31/03/2001	GRUPPO ESPRESSO / ESPRESSO GROUP / GROUPE ESPRESSO / ESPRESSO GRUPPEN
2	04/02/2002	RUBINETTO-CAPPUCCINATORE - CALDAIA VAPORE - GRUPPO CIALDA - ALLACCIAMENTO RETE/ TAP-MILK FROTHING DEVICE - STEAM BOILER-GROUP-KIT WATER MAINS CONNECTION/ ROBINET-GROUP LAIT-CHAUDIERE VAPEUR-GROUPE-KIT RACCORD RESEAU HYDRAUL./ HAHN-MILCHAUFSCÄUMER-DAMPFKESSEL-GRUPPEN-KIT WASSERANSCHLUSS
3	12/11/2002	CARROZZERIA / OUTER CASE / CARROSSERIE / KAROSSERIE
4	09/02/2004	CARROZZERIA - CALDAIA VAPORE - GRUPPI / OUTER CASE - STEAM BOILER - GROUPS / CARROSSERIE - CHAUDIERE VAPEUR - GROUPE / KAROSSERIE - DAMPFKESSEL - GRUPPEN
5	19/11/2004	CALDAIA VAPORE / STEAM BOILER / CHAUDIERE VAPEUR / DAMPFKESSEL
6	30/05/2005	RUBINETTO (Part.24), GRUPPI (Part.5) / TAP (Item24), GROUPS (Item 5) / ROBINET (Art.24), GROUPE (Art.5) / HAHN (Stück24), GRUPPEN (Stück 57)

IMPORTANTE !*Per la richiesta dei pezzi di ricambio citare:*

- Numero di codice del pezzo di ricambio
- Denominazione
- Nei codici in cui compaiono due asterischi (**) deve essere specificato il colore
- Quantità richiesta
- Pagina

MANCANDO I DATI RICHIESTI L'ORDINE NON POTRA' ESSERE EVASO.**IMPORTANT !***For spare parts orders, please mention:*

- Spare part code number
- Denomination
- When you find code numbers with two asterisks (**), please specify the requested color
- Requested quantity
- Page

IF REQUESTED DATAS ARE MISSING, THE ORDER CANNOT BE EXECUTED.**IMPORTANT !***Pour toutes commandes de pièces détachées mentionner:*

- Numero de référence
- Dénomination
- Si les numeros de référence ont deux astérisques (**), spécifier le couleur
- Quantité demandée
- Page

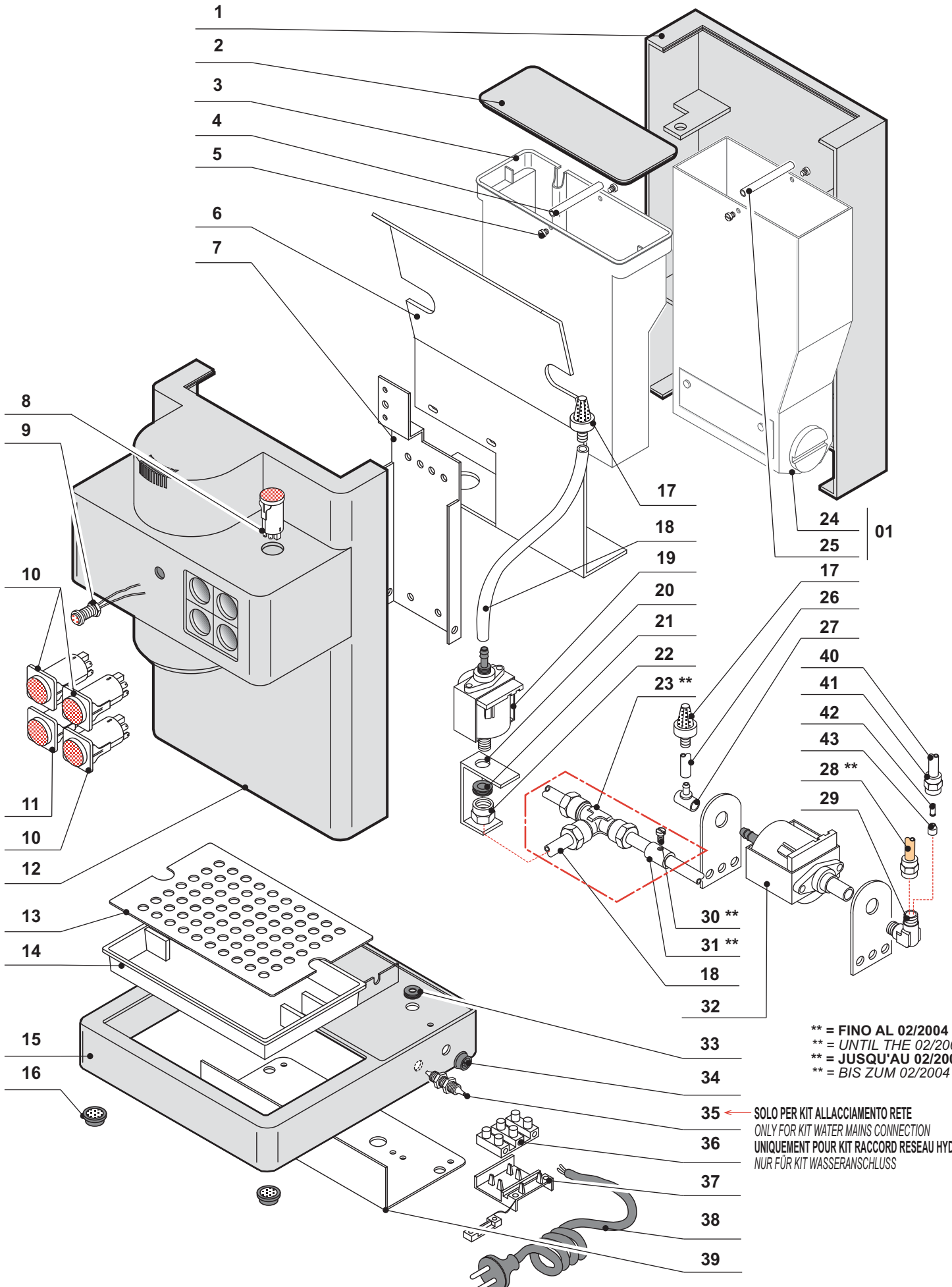
LA COMMANDE NE POURRA PAS ETRE EXECUTEE SANS CES DONNEES.**WICHTIG !***Jede Ersatzte ilbestellung soll folgende Angaben beinhalten:*

- Identnummer
- Bezeichnung
- Bei Identnummer die mi zwei Asterisken (**) versehen, muß die Farbe angegeben werden
- Gewuenschte Menge
- Seite

DER AUFTRAG KANN NICHT BEARBEITET WERDEN, WENN OBGENANNT ANGABEN FEHLEN.**Esempio:***Example:***Exemple:***Beispiel:*

Numero di codice <i>Code number</i> Numero de référence <i>Identnummer</i>	Denominazione <i>Denomination</i> Dénomination <i>Bezeichnung</i>	Quantità richiesta <i>Requested quantity</i> Quantité demandée <i>Gewuenschte Menge</i>	Pagina <i>Page</i> Page <i>Seite</i>

ASSIEME CARROZZERIA LADY ACTION
OUTER CASE ASSEMBLY LADY ACTION
ENSEMBLE CARROSSERIE LADY ACTION
GEHAUSEEINHEIT LADY ACTION



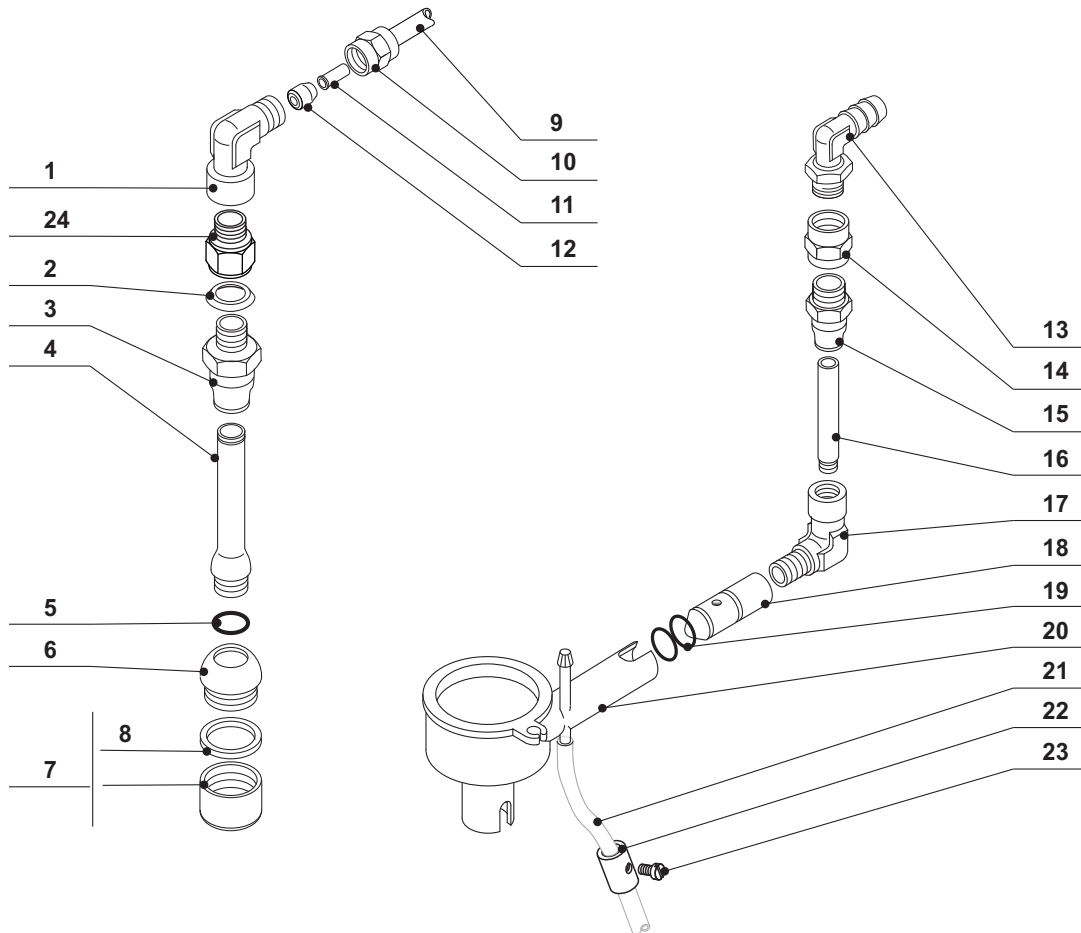
** = FINO AL 02/2004
 ** = UNTIL THE 02/2004
 ** = JUSQU'AU 02/2004
 ** = BIS ZUM 02/2004

← 35 SOLO PER KIT ALLACCIAMENTO RETE
 ONLY FOR KIT WATER MAINS CONNECTION
 UNIQUEMENT POUR KIT RACCORD RESEAU HYDR.
 NUR FÜR KIT WASSERANSCHLUSS

ASSIEME CARROZZERIA LADY ACTION
OUTER CASE ASSEMBLY LADY ACTION
ENSEMBLE CARROSSERIE LADY ACTION
GEHAUSEEINHEIT LADY ACTION

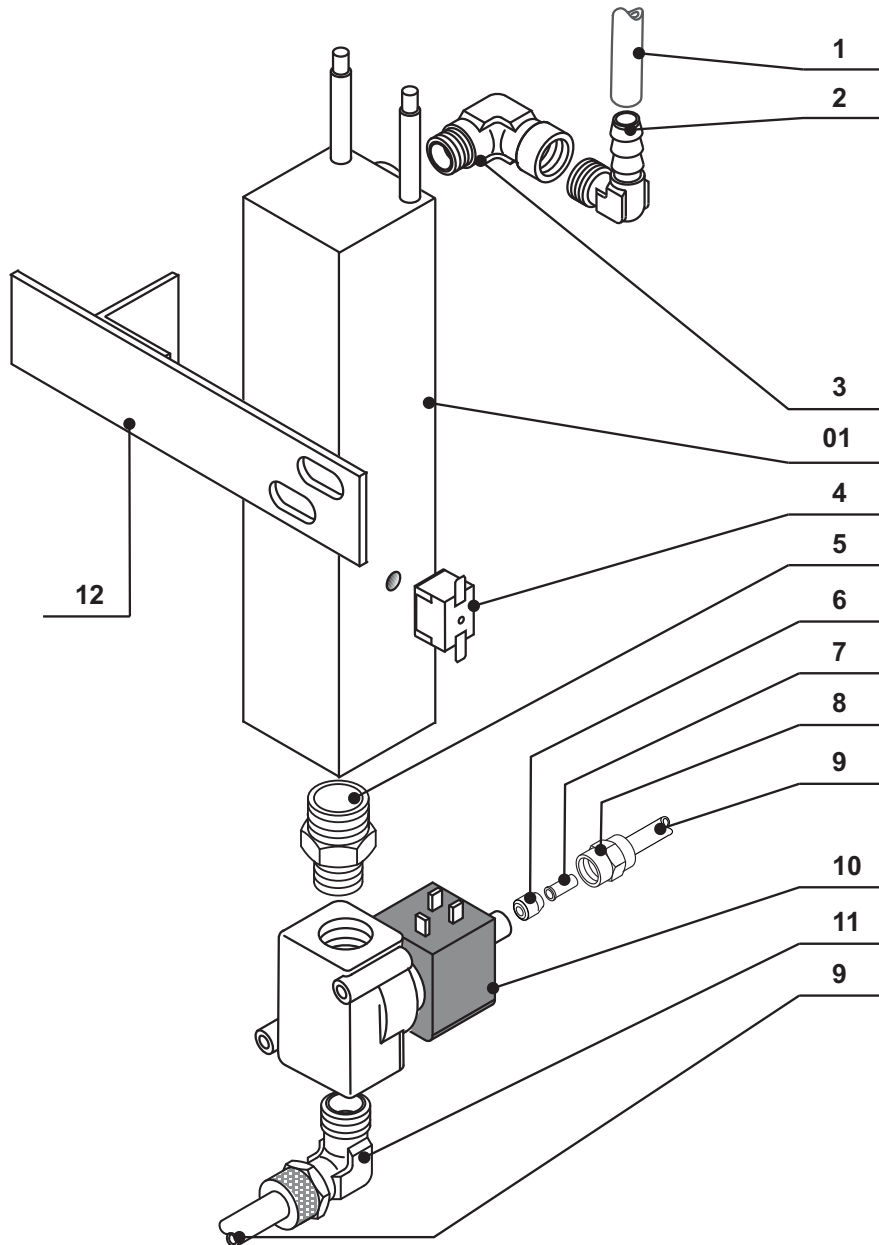
01 - 13791.6.00.09 ASSIEME SERBATOIO	WATER TANK ASSEMBLY
1 - 13588.0.* *01 RETRO	REAR PANEL
2 - 10987.0.* *01 COPERCHIO	COVERING PANEL
3 - 00778.0.00.02 SERBATOIO FINO AL 11/2002	WATER TANK UNTIL THE 11/2002
4 - 13640.0.40.04 DISTANZIALE SERBATOIO FINO AL 11/2002	WATER TANK DISTANCE PIECE UNTIL THE 11/2002
5 - 10487.0.00.03 VITE TCTC 4X5	SCREW TCTC 4X5
6 - 13588.0.00.01 COPERTURA GRUPPO	GROUP COVERING
7 - 00510.0.00.01 SUPPORTO GRUPPO ECL	ECL GROUP SUPPORT
8 - 00663.2.00.08 INTERRUPTORE BIPOLARE LUMINOSO	BIPOLAR SWITCH
9 - 04569.2.00.08 LAMPADA SPIA 220V	WARNING LIGHT 220V
10456.2.00.08 LAMPADA SPIA 110V	WARNING LIGHT 110V
10 - 00664.2.00.08 INTERRUPTORE BIPOLARE LUMINOSO	BIPOLAR LUMINOUS SWITCH
11 - 00662.2.00.08 PULSANTE BIPOLARE NON LUMINOSO	BIPOLAR SWITCH
12 - 13592.0.* *01 FRONTALE	FRONT PANEL
13 - 00351.0.40.01 GRIGLIA	GRATE
14 - 00776.0.00.02 VASCHETTA	DRAIN TRAY
15 - 13591.0.* *01 BASAMENTO	BASE
16 - 00784.0.00.02 PIEDINO	FOOT
17 - 08818.0.00.02 FILTRO CONICO PER PESCAGGIO	FILTER
18 - 10105.0.00.04 TUBO SILICONE Ø 6X3	SILICONE PIPE Ø 6X3
19 - 13675.4.00.08 POMPA A VIBRAZIONE 230-240V. 50Hz. NME1F	VIBRATION PUMP 230-240V. 50Hz. NME1F
14061.4.00.08 POMPA A VIBRAZIONE 120V. 60Hz. NME1F	VIBRATION PUMP 120V. 60Hz. NME1F
15675.4.00.08 POMPA A VIBR.230-240V. 50Hz. NME3F REV.3-02/2004	VIBRATION PUMP 230-240V. 50Hz. NME3F REV.3-02/2004
20 - 13590.0.00.01 SQUADRA SUPPORTO POMPA	PUMP SUPPORT FITTING
21 - 05417.0.00.02 PASSACAPO	CABLE SHAFT
22 - 13643.0.00.04 DADO SERRAGGIO	NUT
23 - 13642.0.00.04 RACCORDO A "T" Ø6-4	"T" CONNECTOR Ø6-4
24 - 13936.0.00.02 SERBATOIO REV. 2- 11/2002	WATER TANK REV. 2- 11/2002
25 - 13971.0.40.04 DISTANZIALE SERBATOIO REV. 2- 11/2002	WATER TANK DISTANCE PIECE REV. 2- 11/2002
26 - 09252.0.00.04 TUBO SILICONE 6X4	SILICONE PIPE Ø 6X4
27 - 12089.0.00.02 PIPETTA	PVC PIPE FITTING
28 - 01547.2.00.04 TUBO CARICO ACQUA	WATER SUPPLY PIPE
29 - 00217.0.00.04 RACCORDO A "L" G. 1/8-1/8M.	ELBOW CONNECTOR G.1/8-1/8 T.
30 - 09794.0.00.03 VITE IN NYLON PER RIDUTTORE	NYLON SCREW FOR REGULATION RING
31 - 10175.0.00.02 RIDUTTORE FLUSSO LATTE	MILK FLOW REGULATION RING
32 - 08719.4.00.08 POMPA A VIBRAZIONE 200V. 50-60Hz.	VIBRATION PUMP 220 V. 50-60 Hz.
08720.4.00.08 POMPA A VIBRAZIONE 110V. 50-60Hz.	VIBRATION PUMP 110 V. 50-60
33 - 00687.0.00.08 PASSACAPO 9086	CABLE SHAFT 9086
34 - 00689.0.00.08 PASSACAPO AUTOBLOCCANTE	SELF-LOCKING CABLE SHAFT
35 - 00238.0.00.04 RACCORDO DIRITTO 1/8M 6/4	STRAIGHT CONNECTOR 1/8T 6/4
36 - 08174.2.00.08 MORSETTIERA	TERMINAL BOARD
37 - 08175.2.00.08 PORTAMORSETTIERA	TERMINAL BOARD HOLDER
38 - 07653.2.00.08 CAVO DI ALIMENTAZIONE 220V.	SUPPLY CORD 220 V.
00692.2.00.08 CAVO DI ALIMENTAZIONE 110V.	SUPPLY CORD 110 V.
39 - 10988.0.00.01 PROTEZIONE ALLACCIAMENTO ELETTRICO	PROTECTION FOR ELECTRIC CONNECTION
40 - 05335.0.00.04 TUBO TEFLON 6X4 REV.3 - 02/2004	TEFLON PIPE 6X4 REV.3 - 02/2004
41 - 00214.0.00.04 DADO BLOCCAGGIO 1/8-6 REV.3 - 02/2004	LOCKING NUT 1/8-6 REV.3 - 02/2004
42 - 00222.0.00.04 BUSSOLA DI RINFORZO MM4 REV.3 - 02/2004	BRACING BUSH MM4 REV.3 - 02/2004
43 - 00221.0.00.04 BUSSOLA DI BLOCCAGGIO MM6 REV.3 - 02/2004	LOCKING BUSH MM6 REV.3 - 02/2004
01 - 13791.6.00.09 ENSEMBLE BAC A EAU	WASSERBEHÄLTERHEINHEIT
1 - 13588.0.* *01 PANNEAU POSTERIEUR	HINTERPANEEL
2 - 10987.0.* *01 COUVERCLE	DECKEL
3 - 00778.0.00.02 BAC A EAU JUSQ'AU 11/2002	WASSERBEHÄLTER BIS 11/2002
4 - 13640.0.40.04 ENTRETOISE BAC A EAU JUSQ'AU 11/2002	WASSERBEHÄLTER DISTANZSTÜCK BIS 11/2002
5 - 10487.0.00.03 VIS TCTC 4X5	SCHRAUBE TCTC 4X5
6 - 13588.0.00.01 COUVERTURE GROUP	DECKEL FÜR GRUPPE ECL
7 - 00510.0.00.01 SUPPORT GROUPE ECL	HALTERUNG GRUPPE ECL
8 - 00663.2.00.08 INTERRUPTEUR BIPOLAIRE	2 POLIGER DRUCKNOPF
9 - 04569.2.00.08 TEMOIN 220V	WARNLAMPE 220V
10456.2.00.08 TEMOIN 110V	WARNLAMPE 110V
10 - 00664.2.00.08 INTERRUPTEUR BIPOLAIRE LUMINEUX	2 POLIGER LEUCHTENDER SCHALTER
11 - 00662.2.00.08 INTERRUPTEUR BIPOLAIRE	2 POLIGER DRUCKNOPF
12 - 13592.0.* *01 PANNEAU FRONTAL	FRONTALER PANEEL
13 - 00351.0.40.01 GRILLE	GITTER
14 - 00776.0.00.02 EGOUTTOIR	ABLAUFWANNE
15 - 13591.0.* *01 BASE	BASIS
16 - 00784.0.00.02 PIED	FUSS
17 - 08818.0.00.02 FILTRE	FILTER
18 - 10105.0.00.04 TUYAU SILICONE Ø 6X3	SILIKONSROHR Ø 6X3
19 - 13675.4.00.08 POMPE A VIBRATION 230-240V. 50Hz. NME1F	VIBRATIONSPUMPE 230-240V. 50Hz. NME1F
14061.4.00.08 POMPE A VIBRATION 120V. 60Hz. NME1F	VIBRATIONSPUMPE 120V. 60Hz. NME1F
15675.4.00.08 POMPE A VIBR.230-240V. 50Hz. NME3F REV.3-02/2004	VIBRATIONSPUMPE 230-240V. 50Hz. NME3F REV.3-02/2004
20 - 13590.0.00.01 ÉQUERRE SUPPORT POMPE	PUMPE HALTERUNGSWINKEL
21 - 05417.0.00.02 PASSE-CÂBLE	KABELDURCHGANG
22 - 13643.0.00.04 ECROU	MUTTER
23 - 13642.0.00.04 RACCORD "T" Ø6-4	"T" VERBINDUNG Ø6-4
24 - 13936.0.00.02 BAC A EAU REV. 2- 11/2002	WASSERBEHÄLTER REV. 2- 11/2002
25 - 13971.0.40.04 ENTRETOISE BAC A EAU REV. 2- 11/2002	WASSERBEHÄLTER DISTANZSTÜCK REV. 2- 11/2002
26 - 09252.0.00.04 TUYAU SILICONE Ø 6X4	SILIKONSROHR Ø 6X4
27 - 12089.0.00.02 CONNEXION EN PVC	PVC ANSCHLUSS
28 - 01547.2.00.04 TUYAU ALIMENTATION EAU	WASSER SPEISEROHR
29 - 00217.0.00.04 COUDE G. 1/8-1/8 M.	"L" ANSCHLUSS G.1/8-1/8 M.
30 - 09794.0.00.03 VIS EN NYLON POUR RÉDUCTEUR	NYLONSCHRAUBE FÜR MILCHFLUSSESREDUZIERER
31 - 10175.0.00.02 RÉDUCTEUR FLUX LAIT	MILCHFLUSSESREDUZIERER
32 - 08719.4.00.08 POMPE A VIBRATION 220 V. 50-60 Hz.	VIBRATIONSPUMPE 220 V. 50-60 Hz.
08720.4.00.08 POMPE A VIBRATION 110 V. 50-60 Hz.	VIBRATIONSPUMPE 110 V. 50-60 Hz.
33 - 00687.0.00.08 PASSE-CÂBLE 9086	KABELDURCHGANG 9086
34 - 00689.0.00.08 PASSE-CÂBLE AUTOBLOQUANT	KABELDURCHGANG
35 - 00238.0.00.04 RACCORD DROIT 1/8M 6/4	RECHTE CONNECTOR 1/8Z 6/4
36 - 08174.2.00.08 BOÎTE A BORNES	KLEMMENBRETT
37 - 08175.2.00.08 PORTE BOÎTE A BORNES	KLEMMENBRETTALTER
38 - 07653.2.00.08 CÂBLE ALIMENTATION 220 V.	SPEISEKABEL 220 V.
00692.2.00.08 CÂBLE ALIMENTATION 110 V.	SPEISEKABEL 110 V.
39 - 10988.0.00.01 PROTECTION BRANCHEMENT ELECTRIQUE	ELEKTRISCHE ANSCHLUSSCHUTZ
40 - 05335.0.00.04 TUYAU TEFLON 6X4 REV.3 - 02/2004	TEFLON ROHR 6X4 REV.3 - 02/2004
41 - 00214.0.00.04 ÉCROU DE BLOCAGE 1/8-6 REV.3 - 02/2004	HALTEMUTTER 1/8-6 REV.3 - 02/2004
42 - 00222.0.00.04 DUILLE DE COUPLE MM4 REV.3 - 02/2004	STÜTZBÜCHSE MM4 REV.3 - 02/2004
43 - 00221.0.00.04 DUILLE DE BLOCAGE MM6 REV.3 - 02/2004	HALTEBÜCHSE MM6 REV.3 - 02/2004

RUBINETTO - CAPPUCCINATORE
STEAM/WATER TAP - GROUP LAIT
ROBINET - MILK FROTHING DEVICE
HAHN - MILCHAUFSCHÄUMER



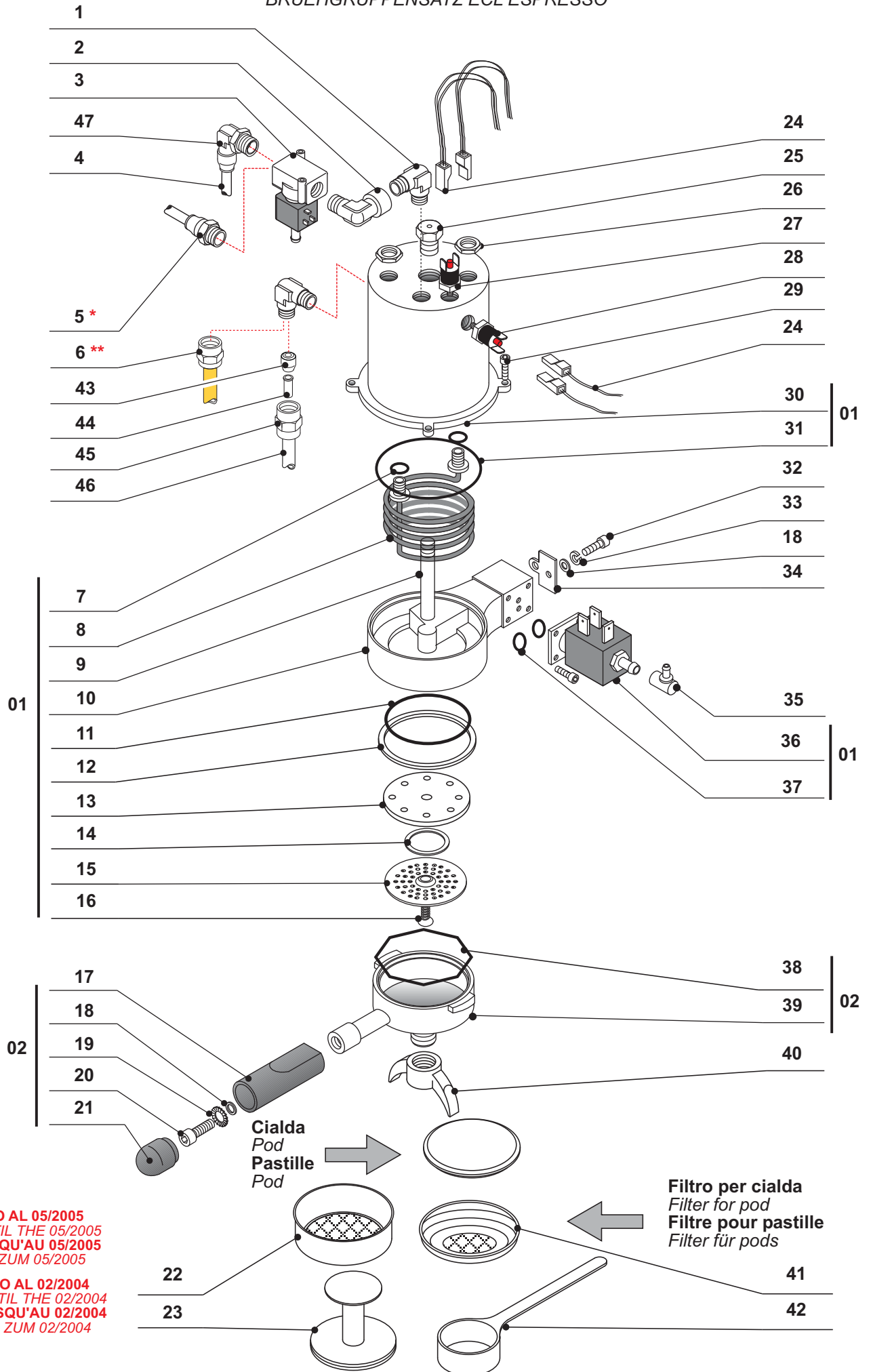
- | | | |
|--------------------|---|---|
| 1 - 00075.0.00.04 | RACCORDO DIRITTO 1/8M 1/8F | STRAIGHT CONNECTOR 1/8T 1/8F |
| 2 - 01286.0.00.03 | RONDELLA A TAZZA | TEFLON WASHER |
| 3 - 12542.0.00.04 | RACCORDO DIRITTO 1/8M INN.RAP. Ø8 | STRAIGHT CONNECTOR 1/8T CLUTCH Ø8 |
| 4 - 13639.2.10.04 | LANCIA ACQUA | WATER PIPE |
| 5 - 06349.0.00.02 | OR R6 EP851 | OR R6 EP851 |
| 6 - 04661.0.10.04 | RACCORDO PER BECCUCCIO ACQUA | WATER SPOUT CONNECTOR |
| 7 - 05004.4.00.09 | ASSIEME ROMPIGETTO | SPOUT BREAKER ASSEMBLY |
| 8 - 05823.0.00.02 | GUARNIZIONE ROMPIGETTO | SPOUT BREAKER GASKET |
| 9 - 05335.0.00.04 | TUBO TEFLON 6X4 | TEFLON PIPE 6X4 |
| 10 - 00214.0.00.04 | DADO BLOCCAGGIO 1/8-6 | LOCKING NUT 1/8-6 |
| 11 - 00222.0.00.04 | BUSSOLA DI RINFORZO MM4 | BRACING BUSH MM4 |
| 12 - 00221.0.00.04 | BUSSOLA DI BLOCCAGGIO MM6 | LOCKING BUSH MM6 |
| 13 - 07189.0.00.04 | RACCORDO PORTAGOMMA 1/8M Ø7 | CONNECTOR 1/8T Ø7 |
| 14 - 00074.0.00.04 | RACCORDO DIRITTO 1/8-1/8F | RIGHT CONNECTOR 1/8-1/8F |
| 15 - 08280.0.00.04 | RACCORDO DIRITTO 1/8M INN.RAP.Ø6 | RIGHT CONNECTOR 1/8T Ø6 |
| 16 - 13641.0.10.04 | TUBO VAPORE | STEAM PIPE |
| 17 - 10624.0.00.04 | RACCORDO A "L" 90° | ELBOW CONNECTOR 90° |
| 18 - 10510.0.00.02 | CANOTTO/UGELLO PER CAPPUCCINATORE | NOZZLE |
| 19 - 00834.0.00.02 | OR 106 EP851 | O-RING 106 EP851 |
| 20 - 11113.4.00.09 | ASSIEME CAPPUCCINATORE COMPLETO PICCOLO | COMPLETE MILK FROTHING DEVICE |
| 21 - 09252.0.00.02 | TUBO SILICONE 6X4 | SILICONE PIPE 6X4 |
| 22 - 10175.0.00.02 | RIDUTTORE FLUSSO LATTE | MILK FLOW REGULATION RING |
| 23 - 09794.0.00.03 | VITE IN NYLON PER RIDUTTORE | NYLON SCREW FOR REGULATION RING |
| 24 - 02028.0.00.04 | RACCORDO DIRITTO 1/8M 1/8F | STRAIGHT CONNECTOR 1/8T 1/8F |
| 1 - 00075.0.00.04 | RACCORDO DROIT 1/8M 1/8F | RECHTE VERBINDUNG 1/8Z 1/8M |
| 2 - 01286.0.00.03 | GARNITURE CONIQUE | ELASTISCHE BEILAGSCHEIBE |
| 3 - 12542.0.00.04 | RACCORDO DROIT 1/8M GREFFE Ø8 | RECHTE VERBINDUNG 1/8Z KUPLUNG Ø8 |
| 4 - 13639.2.10.04 | TUYAU EAU | WASSERROHR |
| 5 - 06349.0.00.02 | OR R6 EP851 | OR R6 EP851 |
| 6 - 04661.0.10.04 | RACCORD POUR BEC EAU | VERBINDUNG FÜR WASSERTÜLLE |
| 7 - 05004.4.00.09 | ENSEMBLE BRISE-JET | STRAHLENBRECHEREINHEIT |
| 8 - 05823.0.00.02 | JOINT DU BRISE-JET | STRAHLENBRECHERDICHTUNG |
| 9 - 05335.0.00.04 | TUYAU TEFLON 6X4 | TEFLON ROHR 6X4 |
| 10 - 00214.0.00.04 | ÉCROU DE BLOCAGE 1/8-6 | HALTEMUTTER 1/8-6 |
| 11 - 00222.0.00.04 | DUILLE DE COUPLE MM4 | STÜTZTBUCHSE MM4 |
| 12 - 00221.0.00.04 | DUILLE DE BLOCAGE MM6 | HALTEBÜCHSE MM6 |
| 13 - 07189.0.00.04 | RACCORD 1/8M Ø7 | VERBINDUNG |
| 14 - 00074.0.00.04 | RACCORD DROIT 1/8-1/8F | RECHTE VERBINDUNG 1/8-1/8M |
| 15 - 08280.0.00.04 | RACCORD DROIT 1/8M Ø6 | RECHTE VERBINDUNG 1/8Z Ø6 |
| 16 - 13641.0.10.04 | TUYAU VEPEUR | DAMPFRÖHR |
| 17 - 10624.0.00.04 | COUDE 90° | "L" ANSCHLUSS 90° |
| 18 - 10510.0.00.02 | GICLEUR | DÜSE FÜR MILCHAUFSCHÄUMER |
| 19 - 00834.0.00.02 | O-RING 106 EP851 | O-RING 106 EP851 |
| 20 - 11113.4.00.09 | ENSEMBLE CAPPUCCINATORE COMPLET | MILCHAUFSCÄUMEREINHEIT |
| 21 - 09252.0.00.02 | TUYAU SILICONE 6X4 | SILIKONSROHR 6X4 |
| 22 - 10175.0.00.02 | RÉDUCTEUR FLUX LAIT | MILCHFLUSSESREDUZIERER |
| 23 - 09794.0.00.03 | VIS EN NYLON POUR RÉDUCTEUR | NYLONSCHRAUBE FÜR MILCHFLUSSESREDUZIERE |
| 24 - 02028.0.00.04 | RACCORD DROIT 1/8M 1/8F | RECHTE VERBINDUNG 1/8Z 1/8M |

**CALDAIA VAPORE
STEAM BOILER
CHAUDIÈRE VAPEUR
DAMPFKESSEL**



- | | | |
|--------------------|--------------------------------------|-----------------------------------|
| 01 - 13815.4.00.09 | ASSIEME CALDAIA VAPORE 230V 1000W | STEAM BOILER ASSEMBLY 230V 1000W |
| 13546.4.00.09 | ASSIEME CALDAIA VAPORE 230V 1200W | STEAM BOILER ASSEMBLY 230V 1200W |
| 13792.4.00.09 | ASSIEME CALDAIA VAPORE 110V 1200W | STEAM BOILER ASSEMBLY 110V 1200W |
| 1 - 13661.0.00.04 | TUBO SILICONE 8X4 | SILICONE PIPE 8X4 |
| 2 - 07189.0.00.04 | RACCORDO PORTAGOMMA 1/8M Ø7 | ELBOW CONNECTOR 1/8T Ø7 |
| 3 - 00075.0.00.04 | RACCORDO A "L" 1/8M 1/8F | ELBOW CONNECTOR 1/8T 1/8F |
| 4 - 10809.2.00.08 | MICROTHERMOSTATO 160° | THERMOSTAT 160° |
| 5 - 02019.0.00.04 | RACCORDO DIRITTO 1/8-3/8M | STRAIGHT CONNECTOR 1/8-3/8T |
| 6 - 00221.0.00.04 | BUSSOLA DI BLOCCAGGIO MM6 | LOCKING BUSH MM6 |
| 7 - 00222.0.00.04 | BUSSOLA DI RINFORZO MM4 | BRACING BUSH MM4 |
| 8 - 00214.0.00.04 | DADO BLOCCAGGIO 1/8-6 | LOCKING NUT 1/8-6 |
| 9 - 05335.0.00.04 | TUBO TEFLON 6X4 | TEFLON PIPE 6X4 |
| 10 - 13824.4.00.08 | ELETTROVALVOLA 3 VIE 1/8-2,3 230V | 3 WAYS SOLENOID 1/8-2,3 230V |
| 13826.4.00.08 | ELETTROVALVOLA 3 VIE 1/8-2,3 100V | 3 WAYS SOLENOID 1/8-2,3 100V |
| 11 - 00237.0.00.04 | RACCORDO A "L" Ø6-4 1/8M | ELBOW CONNECTOR Ø6-4 1/8T |
| 12 - 13589.0.00.01 | SQUADRA SUPPORTO CALDAIA | BOILER SUPPORT |
| | | |
| 01 - 13815.4.00.09 | ENSEMBLE CHAUDIÈRE VAPEUR 230V 1000W | DAMPFKESSELEINHEIT 230V 1000W |
| 13546.4.00.09 | ENSEMBLE CHAUDIÈRE VAPEUR 230V 1200W | DAMPFKESSELEINHEIT 230V 1200W |
| 13792.4.00.09 | ENSEMBLE CHAUDIÈRE VAPEUR 110V 1200W | DAMPFKESSELEINHEIT 110V 1200W |
| 1 - 13661.0.00.04 | TUYAU SILICONE 8X4 | SILIKONSROHR 8X4 |
| 2 - 07189.0.00.04 | RACCORD 1/8M Ø7 | VERBINDUNG 1/8Z Ø7 |
| 3 - 00075.0.00.04 | COUDE 1/8M 1/8F | "L" ANSCHLUSS 1/8Z 1/8M |
| 4 - 10809.2.00.08 | THERMOSTAT 160° | THERMOSTAT 160° |
| 5 - 02019.0.00.04 | RACCORD DROIT 1/8-3/8M | RECHTE ANSCHLUSS 1/8-3/8M |
| 6 - 00221.0.00.04 | DUILLE DE BLOCCAGE MM6 | HALTEBÜCHSE MM6 |
| 7 - 00222.0.00.04 | DUILLE DE COUPLE MM4 | STÜTZBÜCHSE MM4 |
| 8 - 00214.0.00.04 | ÉCROU DE BLOCCAGE 1/8-6 | HALTEMUTTER 1/8-6 |
| 9 - 05335.0.00.04 | TUYAU TEFLON 6X4 | TEFLON ROHR 6X4 |
| 10 - 13824.4.00.08 | ELECTROVANNE 3 VOIES 1/8-2,3 230V | 3 WEGE ELEKTROVENTIL 1/8-2,3 230V |
| 13826.4.00.08 | ELECTROVANNE 3 VOIES 1/8-2,3 100V | 3 WEGE ELEKTROVENTIL 1/8-2,3 100V |
| 11 - 00237.0.00.04 | COUDE Ø6-4 1/8M | "L" ANSCHLUSS Ø6-4 1/8M |
| 12 - 13589.0.00.01 | SUPPORT CHAUDIÈRE | KESSEL HALTER |

ASSIEME GRUPPO ECL ESPRESSO
BREWING GROUP UNIT ECL ESPRESSO
ENSEMBLE GROUPE DEBIT ECL ESPRESSO
BRUEHGRUPPENSATZ ECL ESPRESSO



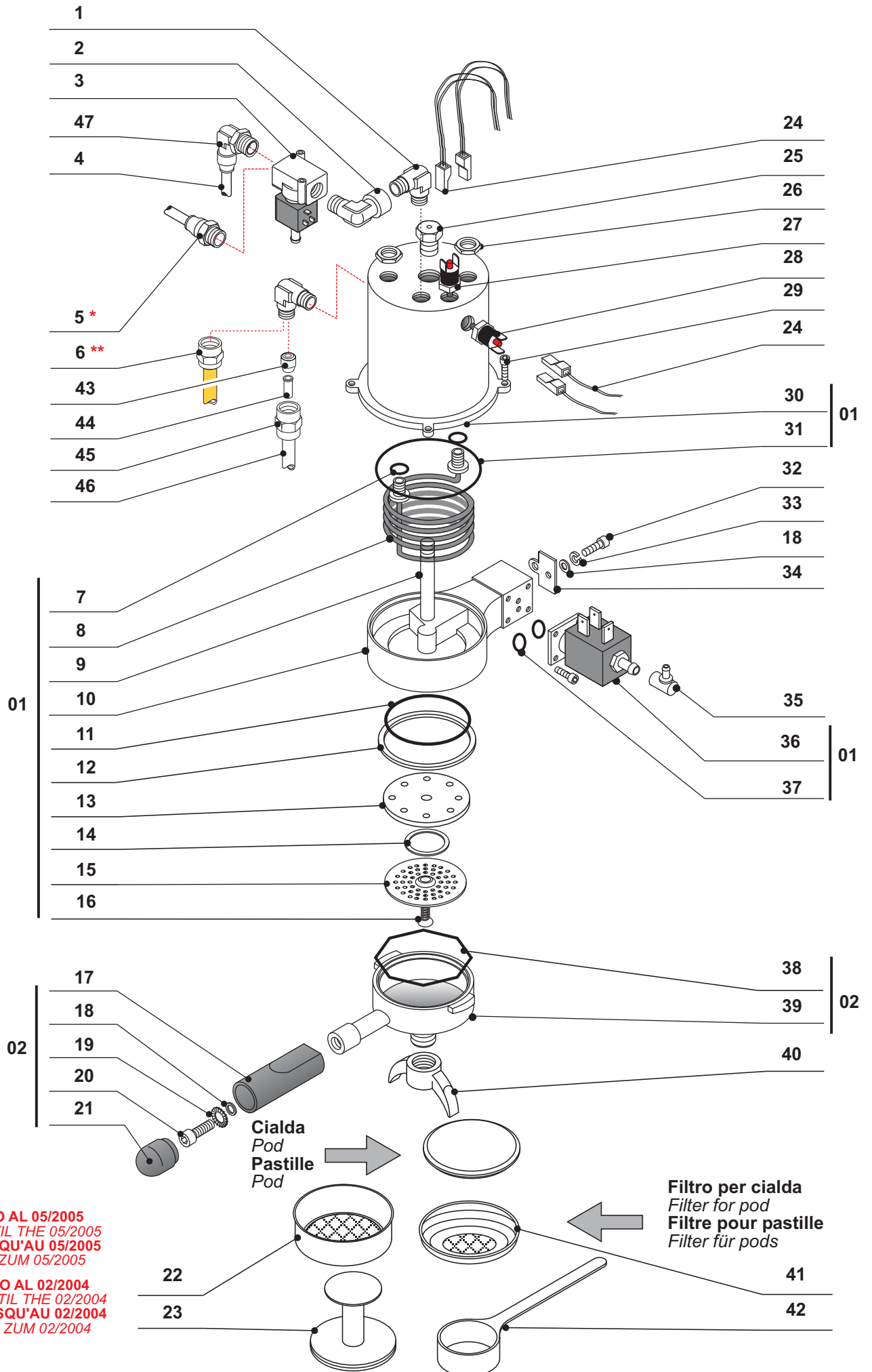
* = FINO AL 05/2005
 * = UNTIL THE 05/2005
 * = JUSQU'AU 05/2005
 * = BIS ZUM 05/2005

** = FINO AL 02/2004
 ** = UNTIL THE 02/2004
 ** = JUSQU'AU 02/2004
 ** = BIS ZUM 02/2004

ASSIEME GRUPPO ECL ESPRESSO
BREWING GROUP UNIT ECL ESPRESSO
ENSEMBLE GROUPE DEBIT ECL ESPRESSO
BRUEHGRUPPENSATZ ECL ESPRESSO

01 - 11139.4.00.09	ASSIEME GRUPPO ECL 230/60	ECL GROUP ASSEMBLY 230/60
01100.4.00.09	ASSIEME GRUPPO ECL 230/50	ECL GROUP ASSEMBLY 230/50
01102.4.00.09	ASSIEME GRUPPO ECL 110	ECL GROUP ASSEMBLY 110
02 - 01101.6.00.09	ASSIEME PORTAFILTRO	FILTERHOLDERASSEMBLY
1 - 00217.0.00.04	RACCORDO A "L" 1/8-1/8M	ELBOW CONNECTOR 1/8-1/8T
2 - 00075.0.00.04	RACCORDO A "L" 1/8F 1/8M	ELBOW CONNECTOR 1/8F-1/8T
3 - 09926.4.00.08	ELETTROVALVOLA 2 VIE 230/50	2 WAYS SOLENOID 230/50
10443.4.00.08	ELETTROVALVOLA 2 VIE 110/50-60	2 WAYS SOLENOID 110/50-60
4 - 05335.0.00.04	TUBO TEFLON 6X4	TEFLON PIPE 6X4
5 - 08280.0.00.04	RACCORDO DIRITTO 1/8M INN.RAP.Ø6	STRAIGHT CONNECTOR 1/8T CLUTCH Ø6
6 - 01547.2.00.04	TUBO CARICO ACQUA GRUPPO ECL	ECL GROUP WATER INLET PIPE
7 - 00839.0.00.02	OR 116 EP851	OR 116 EP851
8 - 00625.2.00.08	RESISTENZA 1200W. 220V.	HEATING ELEMENT 1200W. 220 V.
00626.2.00.08	RESISTENZA 1100W. 110V.	HEATING ELEMENT 1100W. 110 V.
9 - 00325.0.00.04	TUBETTO FILETTATO	THREADED PIPE
10 - 00037.0.00.04	CORPO ECL ESPRESSO	ECL GROUP BODY
11 - 03182.0.00.02	OR 3187 EP851	OR 3187 EP851
12 - 09207.0.00.02	GUARNIZIONE SOTTOCOPPA	FILTERHOLDER GASKET
13 - 11088.0.00.04	PORTADOCCIA SP. 5MM.	SHOWERHOLDER 5 MM
14 - 09988.0.00.02	GUARNIZIONE PER DOCCIA A RETE	SHOWER GASKET
15 - 10336.0.40.01	DOCCIA A RETE	SHOWER
16 - 01242.0.00.03	VITE TSP TC M.5X14	COUNTERSUNK SCREW M5X14
17 - 00774.0.00.02	MANOPOLA PORTAFILTRO	FILTERHOLDER KNOB
18 - 01290.0.00.03	RONDELLA 8X17	FLAT WASHER 8X17
19 - 01291.0.00.03	RONDELLA RDE D.8,5	TOOTHED WASHER Ø8,5
20 - 01260.0.00.03	VITE TCEI M8X20	HEXAGONAL SCREW M8X20
21 - 00775.0.00.02	TAPPO PER MANOPOLA	SCREW PLUG FOR KNOB
22 - 00561.0.40.01	FILTRO 2 TAZZE	2 CUPS FILTER
23 - 00779.0.00.02	PRESSINO	PRESSER
24 - 13435.2.00.08	CABLAGGIO INTERNO	INTERNAL WIRING
25 - 08846.0.00.04	TAPPO PER TERMOSTATO	SCREW PLUG FOR THERMOSTAT
26 - 00177.0.00.04	GHIERA FISSA RESISTENZA G.1/4	HEATING ELEMENT FIXING RING NUT G.1/4
27 - 10157.2.00.08	TERMOSTATO 110°	THERMOSTAT 110°
28 - 08703.2.00.08	TERMOSTATO 165°	THERMOSTAT 165°
29 - 01239.0.00.03	VITE TCEI M4X12	HEX.CREW M4X12
30 - 00038.0.00.04	CILINDRO CALDAIA	BOILER CYLINDER
31 - 00843.0.00.02	OR 3281 EP851	O-RING 3218 EP851
32 - 09779.0.00.03	VITE TE M8X16	HEX.SCREW M8X16
33 - 01284.0.00.03	RONDELLA GROVER Ø8	CUT WASHER Ø8
34 - 00823.0.00.02	GUARNIZIONE ISOLANTE GRUPPO	GROUP INSULATING WASHER
35 - 12089.0.00.02	PIPETTA	HOSE CONNECTOR
36 - 01984.4.00.08	ELETTROVALVOLA 3 VIE 230V. 50Hz.	3 WAYS SOLENOID V.230/50
37 - 00833.0.00.02	OR 105 EP851	OR 105 EP851
38 - 00862.0.00.03	MOLLA PER PORTAFILTRO	FILTERHOLDER SPRING
39 - 00028.0.10.04	PORTAFILTRO	FILTERHOLDER
40 - 00036.0.10.04	BECCUCCIO A 2 VIE	2 WAYS SPOUT
41 - 07108.0.40.01	FILTRO CIALDA/ESPRESSO	POD/ESPRESSO FILTER
42 - 00782.0.00.02	MISURINO	COFFEE DOSER
43 - 00221.0.00.04	BUSSOLA DI BLOCCAGGIO MM6 REV3-02/2004	LOCKING BUSH MM6 REV3-02/2004
44 - 00222.0.00.04	BUSSOLA DI RINFORZO MM4 REV3-02/2004	BRACING BUSH MM4 REV3-02/2004
45 - 00214.0.00.04	DADO BLOCCAGGIO 1/8-6 REV3-02/2004	LOCKING NUT 1/8-6 REV3-02/2004
46 - 05335.0.00.04	TUBO TEFLON 6X4 REV3-02/2004	TEFLON PIPE 6X4 REV3-02/2004
47 - 08858.0.00.04	RACCORDO A "L" 1/8M INN.RAP.Ø6	ELBOW CONNECTOR 1/8T CLUTCH Ø6

ASSIEME GRUPPO ECL ESPRESSO
BREWING GROUP UNIT ECL ESPRESSO
ENSEMBLE GROUPE DEBIT ECL ESPRESSO
BRUEHGRUPPENSATZ ECL ESPRESSO



* = FINO AL 05/2005
 * = UNTIL THE 05/2005
 * = JUSQU'AU 05/2005
 * = BIS ZUM 05/2005

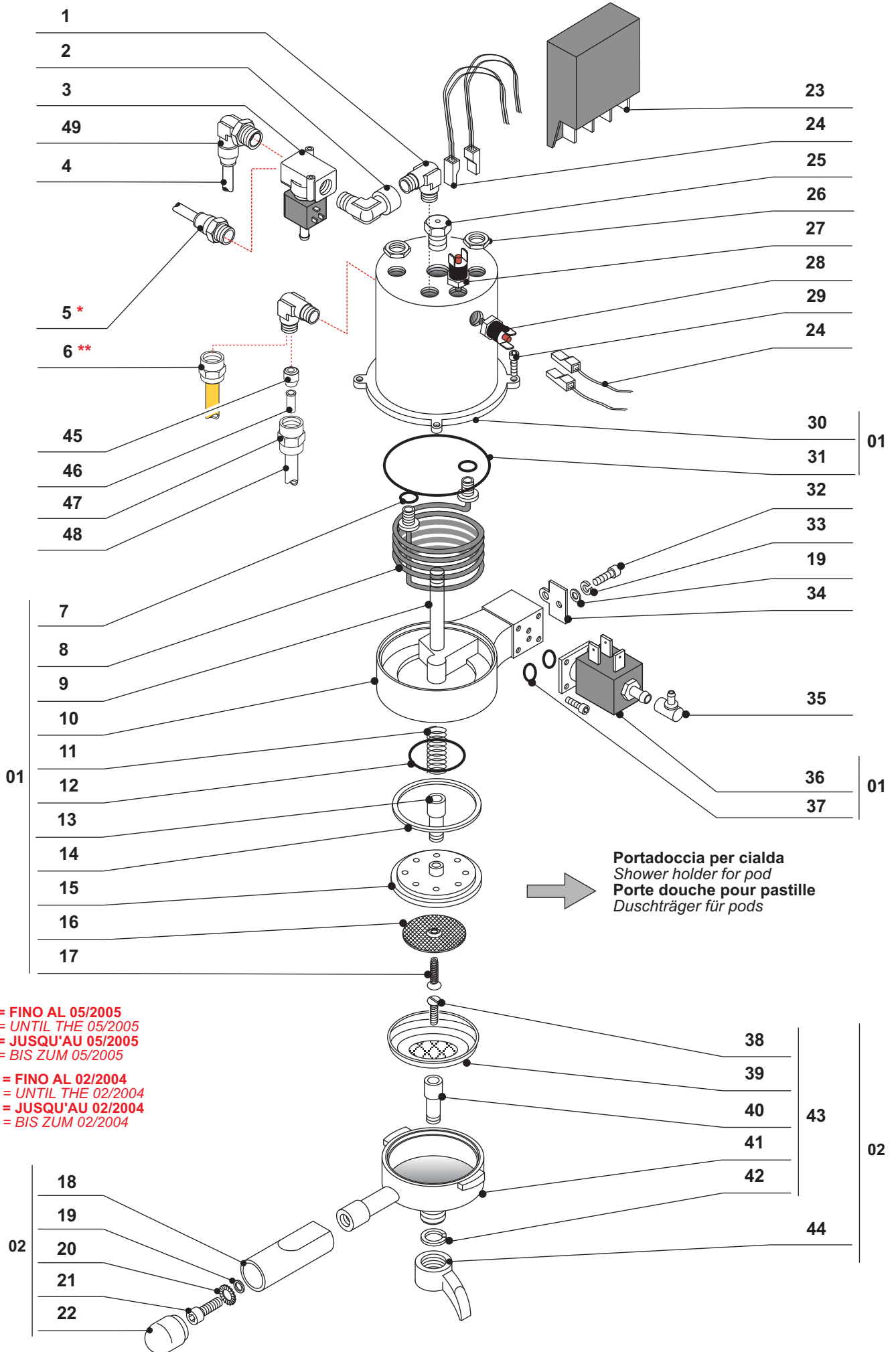
** = FINO AL 02/2004
 ** = UNTIL THE 02/2004
 ** = JUSQU'AU 02/2004
 ** = BIS ZUM 02/2004

ASSIEME GRUPPO ECL ESPRESSO
BREWING GROUP UNIT ECL ESPRESSO
ENSEMBLE GROUPE DEBIT ECL ESPRESSO
BRUEHGRUPPENSATZ ECL ESPRESSO

10

01 - 11139.4.00.09	ENSEMBLE GROUPE ECL230/60	ECL GRUPPENEINHEIT 230/60
01100.4.00.09	ENSEMBLE GROUPE ECL 230/50	ECL GRUPPENEINHEIT
01102.4.00.09	ENSEMBLE GROUPE ECL 110	ECL GRUPPENEINHEIT
02 - 01101.6.00.09	ENSEMBLE PORTE-FILTRE	FILTERHALTEREINHEIT
1 - 00217.0.00.04	COUDE 1/8-1/8M	KURVE 1/8-1/8Z
2 - 00075.0.00.04	COUDE 1/8F 1/8M	KURVE 1/8M 1/8Z
3 - 09926.4.00.08	ELECTROSOUPAPE 2 VOIES 230/50	2 WEGE ELEKTROVENTIL 230/50
10443.4.00.08	ELECTROSOUPAPE 2 VOIES 110/50-60	2 WEGE ELEKTROVENTIL 110/50-60
4 - 05335.0.00.04	TUYAU TEFLON 6X4	TEFLON ROHR 6X4
5 - 08280.0.00.04	RACCORD DROIT 1/8M GREFFE Ø6	RECHTE ANSCHLUSS 1/8Z KUPPLUNG Ø6
6 - 01547.2.00.04	TUYAU CHARGEMENT EAU DU GROUPE	WASSERSPEISUNGSROHR DER GRUPPE
7 - 00839.0.00.02	OR 116 EP851	OR 116 EP851
8 - 00625.2.00.08	RÉSISTANCE 1200W. 220V.	HEIZELEMENT 1200W. 220 V.
00626.2.00.08	RÉSISTANCE 1100W. 110V.	HEIZELEMENT 1100W. 110 V.
9 - 00325.0.00.04	TUYAU FILETÉ	GEWINDEROHR
10 - 00037.0.00.04	CORPS GROUP ECL	ECL GRUPPENKÖRPER
11 - 03182.0.00.02	OR 3187 EP851	OR 3187 EP851
12 - 09207.0.00.02	JOINT PORTE-FILTRE	FILTERHALTERDICHTUNG
13 - 11088.0.00.04	PORTEDOUCHE	DUSCHENTRÄGER
14 - 09988.0.00.02	JOINT POUR DOUCHETTE	DUSCHENDICHTUNG
15 - 10336.0.40.01	DOUCHE	DUSCHE
16 - 01242.0.00.03	VS FRAISÉE TC M5X14	LINSEKOPFSCHRAUBE TC M5X14
17 - 00774.0.00.02	POIGNÉE DU PORTE-FILTRE	HANDGRIFF DES FILTERHALTERS
18 - 01290.0.00.03	RONDELLE PLAINE 8X17	FLACHE SCHEIBE 8X17
19 - 01291.0.00.03	RONDELLE DENTÉE Ø8,5	GEZAHTE SCHEIBE Ø8,5
20 - 01260.0.00.03	VIS HEXAGONALE M8X20	SECHSKANTSSCHRAUBE M8X20
21 - 00775.0.00.02	BOUCHON POUR POIGNÉE	STOPFEN FÜR HANDGRIFF
22 - 00561.0.40.01	FILTRE 2 TASSES	2 TASSEN FILTER
23 - 00779.0.00.02	PRESSE CAFÉ	KAFFEEDRÜCKER
24 - 13435.2.00.08	CABLAGE INTERIEUR	INNERE KABELVERBINDUNG
25 - 08846.0.00.04	BOUCHON POUR THERMOSTAT	ZAPFEN FÜR THERMOSTAT
26 - 00177.0.00.04	GHIÈRE FIXATION RÉSISTANCE G.1/4	HEIZELEMENT BEFESTIGUNGSMUTTER G. 1/4
27 - 10157.2.00.08	THERMOSTAT 110°	THERMOSTAT 110°
28 - 08703.2.00.08	THERMOSTAT 165°	THERMOSTAT 165°
29 - 01239.0.00.03	VIS HEXAGONALE M4X12	SECHSKANTSSCHRAUBE M4X12
30 - 00038.0.00.04	CHAUDIÈRE	KESSEL
31 - 00843.0.00.02	O-RING 3281 EP851	O-RING 3281 EP851
32 - 09779.0.00.03	VIS HEXAGONALE M8X16	SECHSKANTSSCHRAUBE M8X16
33 - 01284.0.00.03	RONDELLE GROVER Ø8	GROVER SCHEIBE Ø8
34 - 00823.0.00.02	JOINT ISOLANT GROUPE	ISOLIERENDE GRUPPENDICHTUNG
35 - 12089.0.00.02	RACCORD POUR TUYAU	ROHRANSCHLUSS
36 - 01984.4.00.08	ELECTROSOUPAPE 2 VOIES 230/50	2 WEGE ELEKTROVENTIL 230 V.
37 - 00833.0.00.02	O-RING 105 EP851	OR 105 EP851
38 - 00862.0.00.03	RESSORT POUR PORTE-FILTRE	FILTERHALTER FEDER
39 - 00028.0.10.04	PORTE FILTRE	FILTERHALTER
40 - 00036.0.10.04	BEC 2 VOIES	2 WEGE TÛLLE
41 - 07108.0.40.01	FILTRE POD/ESPRESSO	POD/ESPRESSO FILTER
42 - 00782.0.00.02	DOSEUR CAFÉ	KAFFEEDOSIERER
43 - 00221.0.00.04	DUILLE DE BLOCAGE MM6 REV3-02/2004	HALTEBÛCHSE MM6 REV3-02/2004
44 - 00222.0.00.04	DUILLE DE COUPLE MM4 REV3-02/2004	STÛTZTÛCHSE MM4 REV3-02/2004
45 - 00214.0.00.04	ÉCROU DE BLOCAGE 1/8-6 REV3-02/2004	HALTEMUTTER 1/8-6 REV3-02/2004
46 - 05335.0.00.04	TUYAU TEFLON 6X4 REV3-02/2004	TEFLON ROHR 6X4 REV3-02/2004
47 - 08858.0.00.04	COUDE 1/8M GREFFE Ø6	"L" ANSCHLUSS 1/8Z KUPPLUNG Ø6

ASSIEME GRUPPO ECL CIALDA
BREWING GROUP UNIT ECL POD
ENSEMBLE GROUPE DEBIT ECL PASTILLE
BRUEHGRUPPENSATZ ECL POD



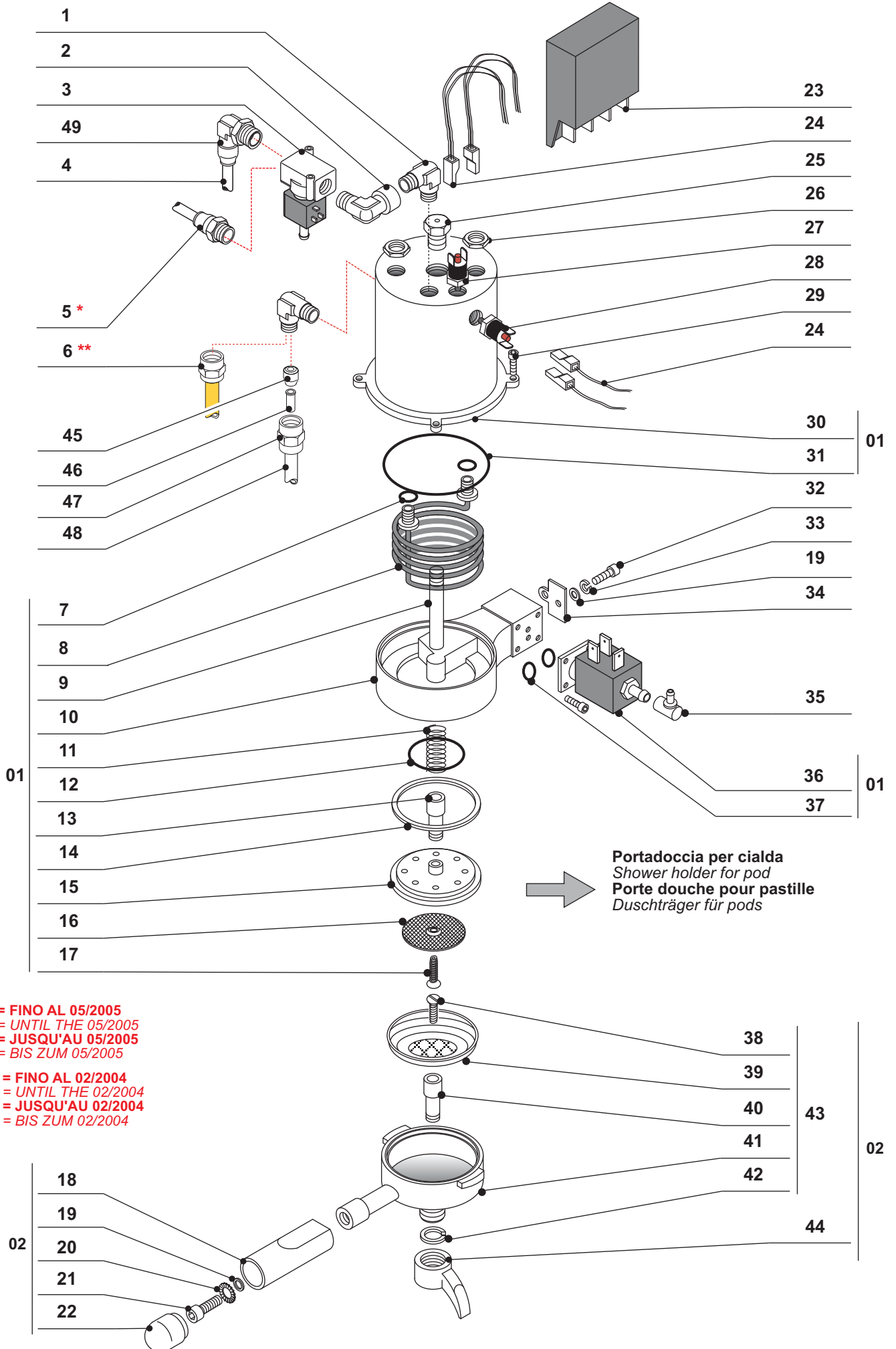
* = FINO AL 05/2005
 * = UNTIL THE 05/2005
 * = JUSQU'AU 05/2005
 * = BIS ZUM 05/2005

** = FINO AL 02/2004
 ** = UNTIL THE 02/2004
 ** = JUSQU'AU 02/2004
 ** = BIS ZUM 02/2004

ASSIEME GRUPPO ECL CIALDA
BREWING GROUP UNIT ECL POD
ENSEMBLE GROUPE DEBIT ECL PASTILLE
BRUEHGRUPPENSATZ ECL POD

01 - 06654.4.00.09	ASSIEME GRUPPO CIALDA 220V.	POD GROUP ASSEMBLY 230/50V.
06655.4.00.09	ASSIEME GRUPPO CIALDA 110V.	POD GROUP ASSEMBLY 110V.
02 - 06677.4.00.09	ASSIEME PORTAFILTRO PASTIGLIA GIREVOLE	SWIVEL POD FILTERHOLDER ASSEMBLY
1 - 00217.0.00.04	RACCORDO A "L" 1/8-1/8M	ELBOW CONNECTOR 1/8-1/8T
2 - 00075.0.00.04	RACCORDO A "L" 1/8F 1/8M	ELBOW CONNECTOR 1/8F-1/8T
3 - 09926.4.00.08	ELETTROVALVOLA 2 VIE 230/50	2 WAYS SOLENOID 230/50
10443.4.00.08	ELETTROVALVOLA 2 VIE 110/50-60	2 WAYS SOLENOID 110/50-60
4 - 05335.0.00.04	TUBO TEFLON 6X4	TEFLON PIPE 6X4
5 - 08280.0.00.04	RACCORDO DIRITTO 1/8M INN.RAP.Ø6	STRAIGHT CONNECTOR 1/8T CLUTCH Ø6
6 - 10758.2.00.04	TUBO CARICO ACQUA GRUPPO	GROUP WATER INLET PIPE
7 - 00839.0.00.02	OR 116 EP851	OR 116 EP851
8 - 00625.2.00.08	RESISTENZA 1200W. 220V.	HEATING ELEMENT 1200W. 220 V.
00626.2.00.08	RESISTENZA 1100W. 110V.	HEATING ELEMENT 1100W. 110 V.
9 - 00325.0.00.04	TUBETTO FILETTATO	THREADED PIPE
10 - 11008.0.00.04	CORPO GRUPPO CIALDA	POD GROUP BODY
11 - 07068.0.00.03	MOLLA PER GRUPPO CIALDA	SPRING FOR POD GROUP
12 - 07003.0.00.02	OR 2.132 EP851	OR 2.132 EP851
13 - 07182.0.00.04	PERNO PER DOCCIA	STUD FOR SHOWER
14 - 09207.0.00.02	GUARNIZIONE SOTTOCOPPA	FILTERHOLDER GASKET
15 - 07183.0.00.04	PORTADOCCIA 1/8	SHOWERHOLDER 1/8
11009.0.00.04	PORTADOCCIA 12X1	SHOWERHOLDER 12X1
16 - 07227.0.40.01	DOCCIA	SHOWER
17 - 03787.0.00.03	VITE TSP M4X8	COUNTERSUNK SCREW M4X8
18 - 00774.0.00.02	MANOPOLA PORTAFILTRO	FILTERHOLDER KNOB
19 - 01290.0.00.03	RONDELLA 8X17	FLAT WASHER 8X17
20 - 01291.0.00.03	RONDELLA RDE D.8,5	TOOTHED WASHER Ø8,5
21 - 01260.0.00.03	VITE TCEI M8X20	HEXAGONAL SCREW M8X20
22 - 00775.0.00.02	TAPPO PER MANOPOLA	SCREW PLUG FOR KNOB
23 - 10783.2.00.08	CENTRALINA AUTOLIVELLO 230V.	WATER LEVEL ELECTRONIC BOX 230V.
11219.2.00.08	CENTRALINA AUTOLIVELLO 115V.	WATER LEVEL ELECTRONIC BOX 110V.
24 - 13435.2.00.08	CABLAGGIO INTERNO	INTERNAL WIRING
25 - 08846.0.00.04	TAPPO PER TERMOSTATO	SCREW PLUG FOR THERMOSTAT
26 - 00177.0.00.04	GHIERA FISSA RESISTENZA G.1/4	HEATING ELEMENT FIXING RING NUT G.1/4
27 - 10157.2.00.08	TERMOSTATO 110	THERMOSTAT 110°
28 - 08703.2.00.08	TERMOSTATO 165	THERMOSTAT 165°
29 - 01239.0.00.03	VITE TCEI M4X12	HEX.CREW M4X12
30 - 00038.0.00.04	CILINDRO CALDAIA	BOILER CYLINDER
31 - 00843.0.00.02	OR 3281 EP851	O-RING 3218 EP851
32 - 09779.0.00.03	VITE TE M8X16	HEX.SCREW M8X16
33 - 01284.0.00.03	RONDELLA GROVER D.8	CUT WASHER Ø8
34 - 00823.0.00.02	GUARNIZIONE ISOLANTE GRUPPO	GROUP INSULATING WASHER
35 - 12089.0.00.02	PIPETTA	HOSE CONNECTOR
36 - 01984.4.00.08	ELETTROVALVOLA 3 VIE 230V. 50Hz.	3 WAYS SOLENOID V.230/50
37 - 00833.0.00.02	OR 105 EP851	OR 105 EP851
38 - 07064.0.00.03	VITE TSP M4X10	COUNTERSUNK SCREW M4X10
39 - 07295.0.40.01	FILTRO PER CIALDA	POD FILTER
40 - 07184.0.00.04	PERNO PER FILTRO GIREVOLE	STUD FOR SWIVEL FILTER
41 - 00028.0.10.04	PORTAFILTRO	FILTERHOLDER
42 - 07065.0.00.03	SEEGER INT. 7	CIRCLIP Ø7
43 - 06429.0.00.04	PORTAFILTRO CIALDA FILTRO GIREVOLE	POD SWIVEL FILTERHOLDER
44 - 00056.0.10.04	BECCUCCIO SPECIALE 1 VIA	1 WAY SPOUT
45 - 00221.0.00.04	BUSSOLA DI BLOCCAGGIO MM6 REV4-02/2004	LOCKING BUSH MM6 REV4-02/2004
46 - 00222.0.00.04	BUSSOLA DI RINFORZO MM4 REV4-02/2004	BRACING BUSH MM4 REV4-02/2004
47 - 00214.0.00.04	DADO BLOCCAGGIO 1/8-6 REV4-02/2004	LOCKING NUT 1/8-6 REV4-02/2004
48 - 05335.0.00.04	TUBO TEFLON 6X4 REV4-02/2004	TEFLON PIPE 6X4 REV4-02/2004
49 - 08280.0.00.04	RACCORDO A "L" 1/8M INN.RAP.Ø6	ELBOW CONNECTOR 1/8T CLUTCH Ø6

ASSIEME GRUPPO ECL CIALDA
BREWING GROUP UNIT ECL POD
ENSEMBLE GROUPE DEBIT ECL PASTILLE
BRUEHGRUPPENSATZ ECL POD



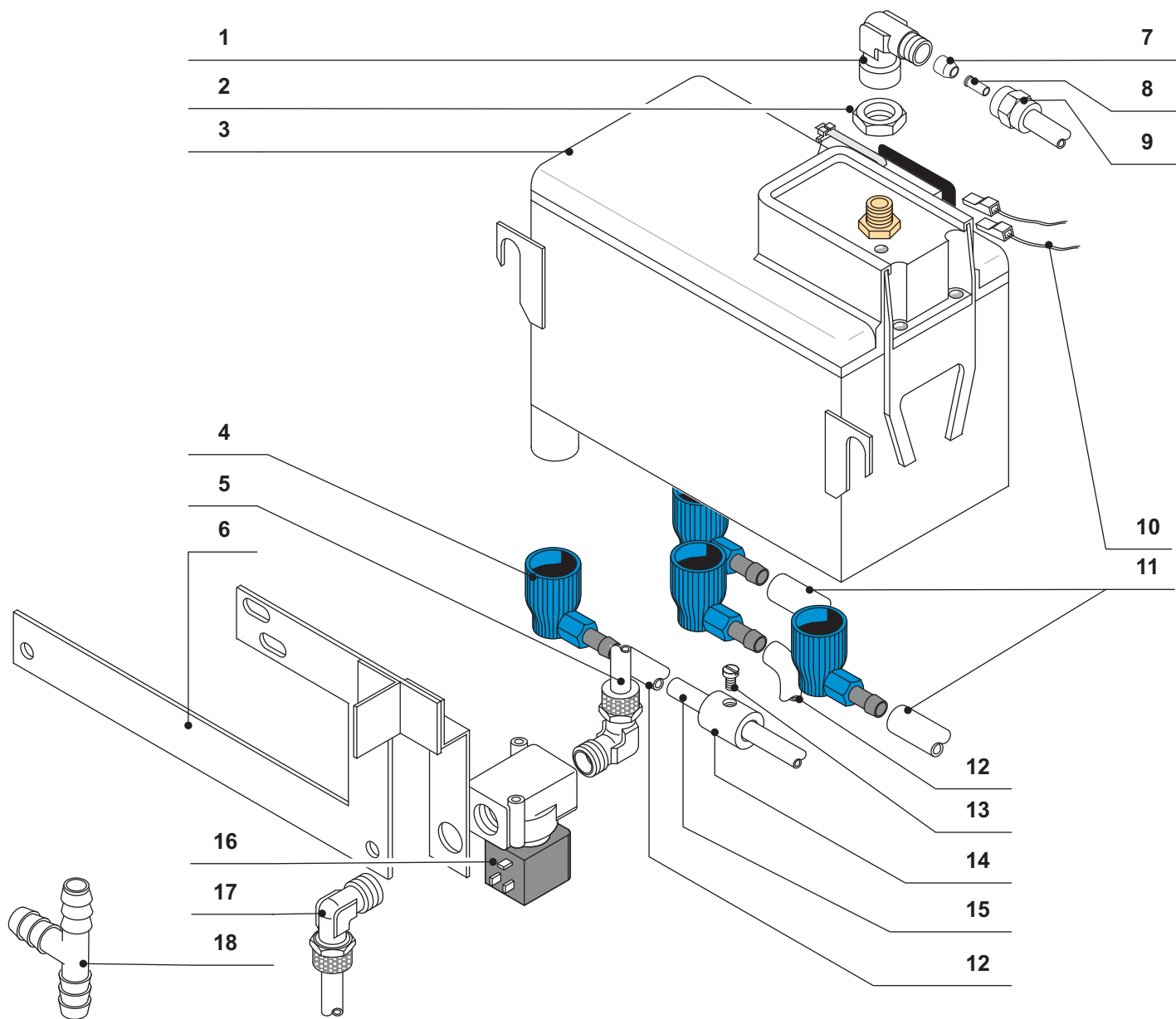
* = FINO AL 05/2005
 * = UNTIL THE 05/2005
 * = JUSQU'AU 05/2005
 * = BIS ZUM 05/2005

** = FINO AL 02/2004
 ** = UNTIL THE 02/2004
 ** = JUSQU'AU 02/2004
 ** = BIS ZUM 02/2004

ASSIEME GRUPPO ECL CIALDA
BREWING GROUP UNIT ECL POD
ENSEMBLE GROUPE DEBIT ECL PASTILLE
BRUEHGRUPPENSATZ ECL POD

01 - 06654.4.00.09	ENSEMBLE GROUPE PASTILLE 230/50V.	PODS GRUPPENEINHEIT 230/50V.
06655.4.00.09	ENSEMBLE GROUPE PASTILLE 110V.	PODS GRUPPENEINHEIT 110V.
02 - 06677.4.00.09	ENSEMBLE PORTE-FILTRE PASTILLE PIVOTANT	PODS DREHFILTERHALTEREINHEIT
1 - 00217.0.00.04	COUDE 1/8-1/8M.	KURVE 1/8-1/8Z
2 - 00075.0.00.04	COUDE 1/8F. 1/8M.	KURVE 1/8M. 1/8Z
3 - 09926.4.00.08	ELECTROSOUPE 2 VOIES 230/50	2 WEGE ELEKTROVENTIL 230/50
10443.4.00.08	ELECTROSOUPE 2 VOIES 110/50-60	2 WEGE ELEKTROVENTIL 110/50-60
4 - 05335.0.00.04	TUYAU TEFLON 6X4	TEFLON ROHR 6X4
5 - 08280.0.00.04	RACCORD DROIT 1/8M GREFFE Ø6	RECHTE ANSCHLUSS 1/8Z KUPPLUNG Ø6
6 - 10758.2.00.04	TUYAU CHARGEMENT EAU DU GROUPE	WASSERSPEISUNGSROHR DER GRUPPE
7 - 00839.0.00.02	OR 116 EP851	OR 116 EP851
8 - 00625.2.00.08	RÉSISTANCE 1200W. 230V.	HEIZELEMENT 1200W. 230 V.
00626.2.00.08	RÉSISTANCE 1100W. 110V.	HEIZELEMENT 1100W. 110 V.
9 - 00325.0.00.04	TUYAU FILETÉ	GEWINDEROHR
10 - 11008.0.00.04	CORPS GROUP PASTILLE	PODS GRUPPENKÖRPER
11 - 07068.0.00.03	RESSORT POUR GROUPE PASTILLE	FEDER FÜR PODDS GRUPPE
12 - 07003.0.00.02	OR 2.132 EP851	OR 2.132 EP851
13 - 07182.0.00.04	PIVOT POUR DOUCHETTE	SCHWENKZAPFEN DER DUSCHE
14 - 09207.0.00.02	JOINT PORTE-FILTRE	FILTERHALTERDICHTUNG
15 - 07183.0.00.04	PORTEDOUCHETTE 1/8	DUSCHENTRÄGER 1/8
11009.0.00.04	PORTEDOUCHETTE 12X1	DUSCHENTRÄGER 12X1
16 - 07227.0.40.01	DOUCHETTE	DUSCHE
17 - 03787.0.00.03	VIS FRAISÉE TC M4X8	LINSEKOPFSCHRAUBE TC M5X14
18 - 00774.0.00.02	POIGNÉE DU PORTE-FILTRE	HANDGRIFF DES FILTERHALTERS
19 - 01290.0.00.03	RONDELLE PLAINE 8X17	FLACHE SCHEIBE 8X17
20 - 01291.0.00.03	RONDELLE DENTÉE Ø8,5	GEZAHTE SCHEIBE Ø8,5
21 - 01260.0.00.03	VIS HEXAGONALE M8X20	SECHSKANTSSCHRAUBE M8X20
22 - 00775.0.00.02	BOUCHON POUR POIGNÉE	STOPFEN FÜR HANDGRIFF
23 - 10783.2.00.08	BOÎTE ÉLECTRONIQUE 230V.	ELEKTRONISCHE STEUERUNG 230V.
11219.2.00.08	BOÎTE ÉLECTRONIQUE 110V.	ELEKTRONISCHE STEUERUNG 110V.
24 - 13435.2.00.08	CABLAGE INTERIEUR	INNERE KABELVERBINDUNG
25 - 08846.0.00.04	BOUCHON POUR THERMOSTAT	ZAPFEN FÜR THERMOSTAT
26 - 00177.0.00.04	GHIÈRE FIXATION RÉSISTANCE G.1/4	HEIZELEMENT BEFESTIGUNGSMUTTER G. 1/4
27 - 10157.2.00.08	THERMOSTAT 110°	THERMOSTAT 110°
28 - 08703.2.00.08	THERMOSTAT 165°	THERMOSTAT 165°
29 - 01239.0.00.03	VIS HEXAGONALE M4X12	SECHSKANTSSCHRAUBE M4X12
30 - 00038.0.00.04	CYLINDRE CHAUDIÈRE	KESSELZYLINDER
31 - 00843.0.00.02	O-RING 3281 EP851	O-RING 3281 EP851
32 - 09779.0.00.03	VIS HEXAGONALE M8X16	SECHSKANTSSCHRAUBE M8X16
33 - 01284.0.00.03	RONDELLE GROVER Ø8	GROVER SCHEIBE Ø8
34 - 00823.0.00.02	JOINT ISOLANT GROUPE	ISOLIERENDE GRUPPENDICHTUNG
35 - 12089.0.00.02	RACCORD POUR TUYAU	ROHRANSCHLUSS
36 - 01984.4.00.08	ELECTROSOUPE 2 VOIES 230/50	2 WEGE ELEKTROVENTIL 230 V.
37 - 00833.0.00.02	O-RING 105 EP851	OR 105 EP851
38 - 07064.0.00.03	VIS FRAISÉE M4X10	LINSEKOPFSCHRAUBE M4X10
39 - 07295.0.40.01	FILTRE POUR PASTILLE	PODS FILTER
40 - 07184.0.00.04	PIVOT POUR FILTRE PIVOTANT	SCHWENKZAPFEN FÜR FILTER
41 - 00028.0.10.04	PORTE-FILTRE	FILTERHALTER
42 - 07065.0.00.03	SEEGER Ø7	SEEGER Ø7
43 - 06429.0.00.04	PORTEFILTRE PIVOTANT POUR PASTILLE	DREHFILTERHALTER FÜR PODS
44 - 00056.0.10.04	BEC 1 VOIE	1 WEG TÛLLE
45 - 00221.0.00.04	DUILLE DE BLOCAGE MM6 REV4-02/2004	HALTEBÛCHSE MM6 REV4-02/2004
46 - 00222.0.00.04	DUILLE DE COUPLE MM4 REV4-02/2004	STÛTZTÛCHSE MM4 REV4-02/2004
47 - 00214.0.00.04	ÉCROU DE BLOCAGE 1/8-6 REV4-02/2004	HALTEMUTTER 1/8-6 REV4-02/2004
48 - 05335.0.00.04	TUYAU TEFLON 6X4 REV4-02/2004	TEFLON ROHR 6X4 REV4-02/2004
49 - 08280.0.00.04	COUDE 1/8M GREFFE Ø6	"L" ANSCHLUSS 1/8Z KUPPLUNG Ø6

KIT ALLACCIAMENTO RETE - ACTION LADY CON CALDAIA VAPORE
KIT WATER MAINS CONNECTION - ACTION LADY WIT STEAM BOILER
KIT RACCORD RESEAU HYDRAULIQUE - ACTION LADY AVEC CHAUDIERE VAPEUR
KIT WASSERANSCHLUSS - ACTION LADY MIT DAMPFKESSEL



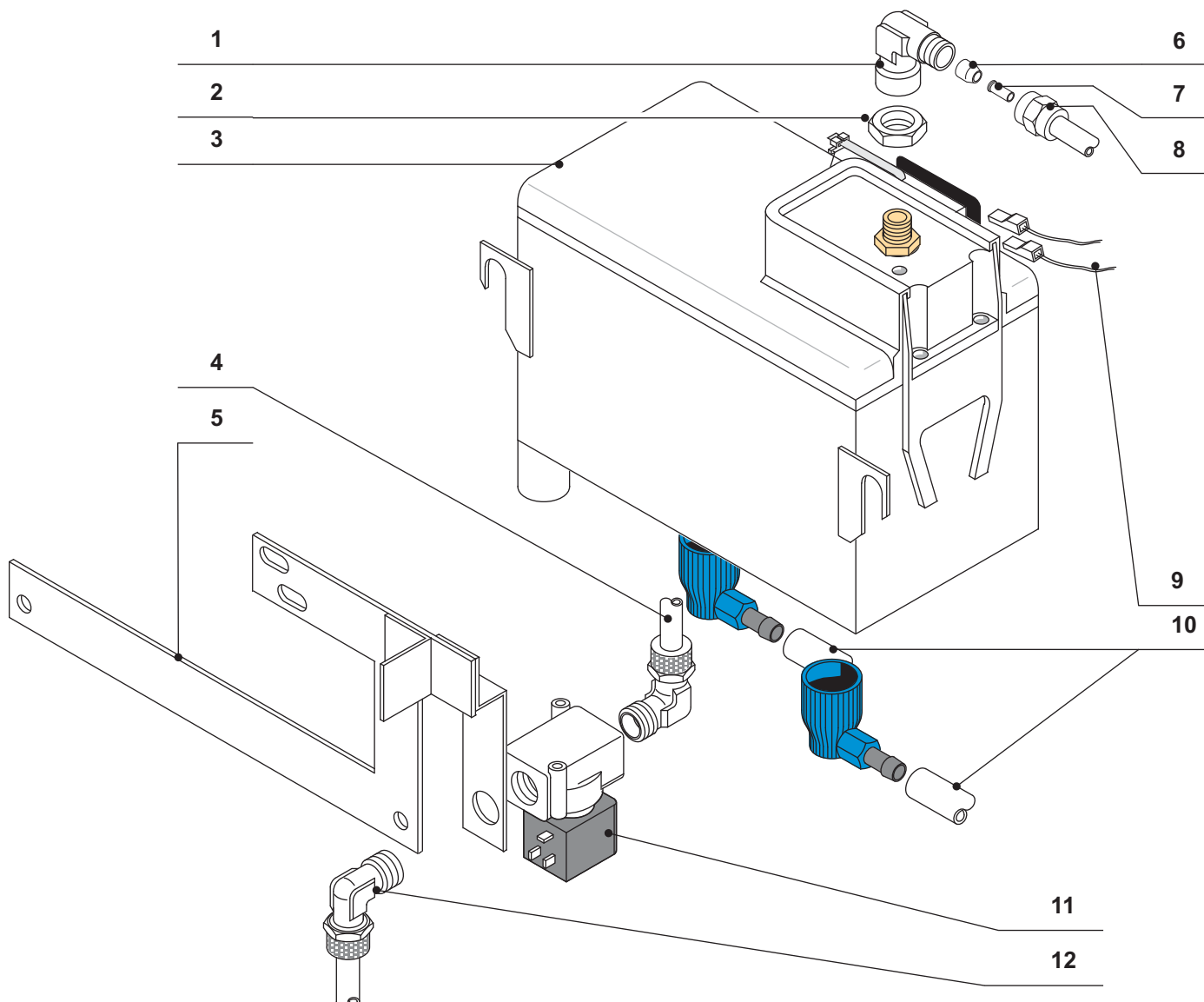
KIT ALLACCIAMENTO RETE - ACTION LADY CON CALDAIA VAPORE
KIT WATER MAINS CONNECTION - ACTION LADY WIT STEAM BOILER
KIT RACCORD RESEAU HYDRAULIQUE - ACTION LADY AVEC CHAUDIERE VAPEUR
KIT WASSERANSCHLUSS - ACTION LADY MIT DAMPFKESSEL

13556.6.00.09	KIT ALLACCIAMENTO A RETE	KIT WATER MAINS CONNECTION
1 - 00075.0.00.04	RACCORDO A "L" 1/8M 1/8F	ELBOW CONNECTOR 1/8T 1/8F
2 - 02075.0.00.04	DADO 1/8	NUT 1/8
3 - 13786.4.00.09	VASCHETTA ALLACCIAMENTO RETE	WATER CONTAINER
4 - 11401.0.00.02	RACCORDO A "L" IN PLASTICA	ELBOW CONNECTOR
5 - 05335.0.00.04	TUBO TEFLON 6X4	TEFLON PIPE 6X4
6 - 13719.2.12.01	SQUADRA SUPPORTO ALLACCIAMENTO RETE	WATER MAINS CONNECTION SUPPORT
7 - 00221.0.00.04	BUSSOLA DI BLOCCAGGIO MM6	LOCKING BUSH MM6
8 - 00222.0.00.04	BUSSOLA DI RINFORZO MM4	BRACING BUSH MM4
9 - 00214.0.00.04	DADO BLOCCAGGIO 1/8-6	LOCKING NUT 1/8-6
10 - 13784.2.00.08	CABLAGGIO	WIRING
11 - 02554.0.00.04	TUBO SILICONE 8X5	SILICON PIPE 8X5
12 - 09252.0.00.04	TUBO SILICONE 6X4	SILICON PIPE 6X4
13 - 09794.0.00.03	VITE IN NYLON PER RIDUTTORE	NYLON SCREW FOR REGULATION RING
14 - 10175.0.00.02	RIDUTTORE FLUSSO LATTE	MILK FLOW REGULATION RING
15 - 13658.0.00.04	TUBO SILICONE 5.5X2,5	SILICON PIPE 5.5X2,5
16 - 10678.4.00.08	ELETTROVALVOLA 2 VIE 1,6 230V 50/60Hz	2 WAYS SOLENOID VALVE 1,6 230V 50/60Hz
17 - 00237.0.00.04	RACCORDO A "L" 1/8M 6-4	ELBOW CONNECTOR 1/8T 6-4
18 - 10185.0.00.02	RACCORDO A "T" Ø8	"T" CONNECTOR Ø8
13556.6.00.09	KIT RACCORD RESEAU HYDRAULIQUE	KIT WASSERANSCHLUSS
1 - 00075.0.00.04	COUDE 1/8M 1/8F	"L" ANSCHLUSS 1/8Z 1/8M
2 - 02075.0.00.04	ÉCROU 1/8	MUTTER 1/8
3 - 13786.4.00.09	BAC EAU POUR RACCORD REASEAU HYDRAULIQUE	WASSERBEHÄLTER
4 - 11401.0.00.02	COUDE	"L" ANSCHLUSS
5 - 05335.0.00.04	TUYAUTEFLON 6X4	TEFLONROHR 6X4
6 - 13719.2.12.01	SUPPORT RACCORD RESEAU HYDRAULIQUE	WASSERANSCHLUSS HALTER
7 - 00221.0.00.04	DUILLE DE BLOCAGE MM6	HALTEBÜCHSE MM6
8 - 00222.0.00.04	DUILLE DE COUPLE MM4	STÜTZTÜCHSE MM4
9 - 00214.0.00.04	ÉCROU DE BLOCAGE 1/8-6	HALTEMUTTER 1/8-6
10 - 13784.2.00.08	CABLAGE	KABELVERBINDUNG
11 - 02554.0.00.04	TUYAU SILICONE 8X5	SILIKONSROHR 8X5
12 - 09252.0.00.04	TUYAU SILICONE 6X4	SILIKONSROHR 6X4
13 - 09794.0.00.03	VIS EN NYLON POUR RÉDUCTEUR	NYLONSCHRAUBE FÜR MILCHFLUSSESREDUZIERER
14 - 10175.0.00.02	RÉDUCTEUR FLUX LAIT	MILCHFLUSSESREDUZIERER
15 - 13658.0.00.04	TUYAU SILICONE 5.5X2,5	SILIKONSROHR 5.5X2,5
16 - 10678.4.00.08	ELECTROSOUPAPES 2 VOIES 1,6 230V 50/60Hz	2 WEGE ELEKTROVENTIL 1,6 230V 50/60Hz
17 - 00237.0.00.04	COUDE 1/8M 6-4	"L" ANSCHLUSS 1/8Z 6-4
18 - 10185.0.00.02	RACCORD "T" Ø8	"T" ANSCHLUSS

Il particolare n°32 - vedi Carrozzeria - è compreso nel kit
The particular n°32 - see Outer case - is included in the kit
Le particulier n°32 - voir Carrosserie - est inclus dans le kit
Die einzelhet n°32 - siehe Karrosserie - wird im kit eingeschlossen

KIT ALLACCIAMENTO RETE
KIT WATER MAINS CONNECTION
KIT RACCORD RESEAU HYDRAULIQUE
KIT WASSERANSCHLUSS

17



13785.6.00.09 KIT ALLACCIAMENTO A RETE
1 - 00075.0.00.04 RACCORDO A "L" 1/8M 1/8F
2 - 02075.0.00.04 DADO 1/8
3 - 13786.4.00.09 VASCHETTA ALLACCIAMENTO RETE
4 - 05335.0.00.04 TUBO TEFLON 6X4
5 - 13719.2.12.01 SQUADRA SUPPORTO ALLACCIAMENTO RETE
6 - 00221.0.00.04 BUSSOLA DI BLOCCAGGIO MM6
7 - 00222.0.00.04 BUSSOLA DI RINFORZO MM4
8 - 00214.0.00.04 DADO BLOCCAGGIO 1/8-6
9 - 13784.2.00.08 CABLAGGIO
10 - 02554.0.00.04 TUBO SILICONE 8X5
11 - 10678.4.00.08 ELETTROVALVOLA 2 VIE 1,6 230V 50/60Hz
12 - 00237.0.00.04 RACCORDO A "L" 1/8M 6-4

KIT WATER MAINS CONNECTION
ELBOW CONNECTOR 1/8T 1/8F
NUT 1/8
WATER CONTAINER
TEFLON PIPE 6X4
WATER MAINS CONNECTION SUPPORT
LOCKING BUSH MM6
BRACING BUSH MM4
LOCKING NUT 1/8-6
WIRING
SILICON PIPE 8X5
2 WAYS SOLENOID VALVE 1,6 230V 50/60Hz
ELBOW CONNECTOR 1/8T 6-4

13785.6.00.09 KIT RACCORD RESEAU HYDRAULIQUE
1 - 00075.0.00.04 COUDE 1/8M 1/8F
2 - 02075.0.00.04 ÉCROU 1/8
3 - 13786.4.00.09 BAC EAU POUR RACCORD RESEAU HYDRAULIQUE
4 - 05335.0.00.04 TUYAU TEFLON 6X4
5 - 13719.2.12.01 SUPPORT RACCORD RESEAU HYDRAULIQUE
6 - 00221.0.00.04 DUILLE DE BLOCCAGE MM6
7 - 00222.0.00.04 DUILLE DE COUPLE MM4
8 - 00214.0.00.04 ÉCROU DE BLOCCAGE 1/8-6
9 - 13784.2.00.08 CABLAGE
10 - 02554.0.00.04 TUYAU SILICONE 8X5
11 - 10678.4.00.08 ELECTROSOUPAPES 2 VOIES 1,6 230V 50/60Hz
12 - 00237.0.00.04 COUDE 1/8M 6-4

KIT WASSERANSCHLUSS
"L" ANSCHLUSS 1/8Z 1/8M
MUTTER 1/8
WASSERBEHÄLTER
TEFLONROHR 6X4
WASSERANSCHLUSS HALTER
HALTEBÜCHSE MM6
STÜTZBÜCHSE MM4
HALTEMUTTER 1/8-6
KABELVERBINDUNG
SILIKONSROHR 8X5
2 WEGE ELEKTROVENTIL 1,6 230V 50/60Hz
"L" ANSCHLUSS 1/8Z 6-4

Il particolare n°32 - vedi Carrozzeria - è compreso nel kit
The particular n°32 - see Outer case - is included in the kit
Le particulier n°32 - voir Carrosserie - est inclus dans le kit
Die einzelhet n°32 - siehe Karrosserie - wird im kit eingeschlossen