

Pump Parts

BAKER PUMP

<u>Line Abbrev</u>	<u>Part Number</u>	<u>MAS-Pro Oilfield Supply DESCRIPTION</u>
TST	BHPRK	BAKER HAND PUMP #HP-1000 REPAIR KIT
TST	BHP	BAKER HAND PUMP #HP-3000 (3000PSI)
TST	BHP10K	BAKER HAND PUMP 10000PSI #ITHP-10K-20L
TST	BHPH	BAKER HAND PUMP HOSE 6'HP-3000
TST	BHPP	BAKER HAND PUMP PLUNGER #1014
SWB	BAKERP	BAKER PUMP (FOR PACKOFF HEAD)
SWB	BPGJ	BAKER PUMP GJ (FOR PACKOFF HEAD)
EQP	BPRK	REPAIR KIT BAKER PUMP (FOR PACKOFF HEAD) REDNECK
SWB	BPGJRK	REPAIR KIT BAKER PUMP GJ

BOWIE ASSORTED

<u>Line Abbrev</u>	<u>Part Number</u>	<u>MAS-Pro Oilfield Supply DESCRIPTION</u>
PMP	BP3	BOWIE PUMP 3"
PMP	BP3BB	BOWIE PUMP 3" BRASS BUSHING
PMP	BP3DGL	BOWIE PUMP 3" DRIVE GEAR LONG #3305
PMP	BP3EPG	BOWIE PUMP 3" END PLATE GASKET
PMP	BP3IG	BOWIE PUMP 3" IDLER GEAR #3304
PMP	BP3T	BOWIE PUMP 3" PACKING TEFLON
PMP	BP3G	BOWIE PUMP PACKING 3" GRAPHITE
PMP	RIGIIDCOUPLERBP	RIGID COUPLER FOR BOWIE PUMP 1-1/4" X 1-1/4"

BOWIE 4300 SERIES

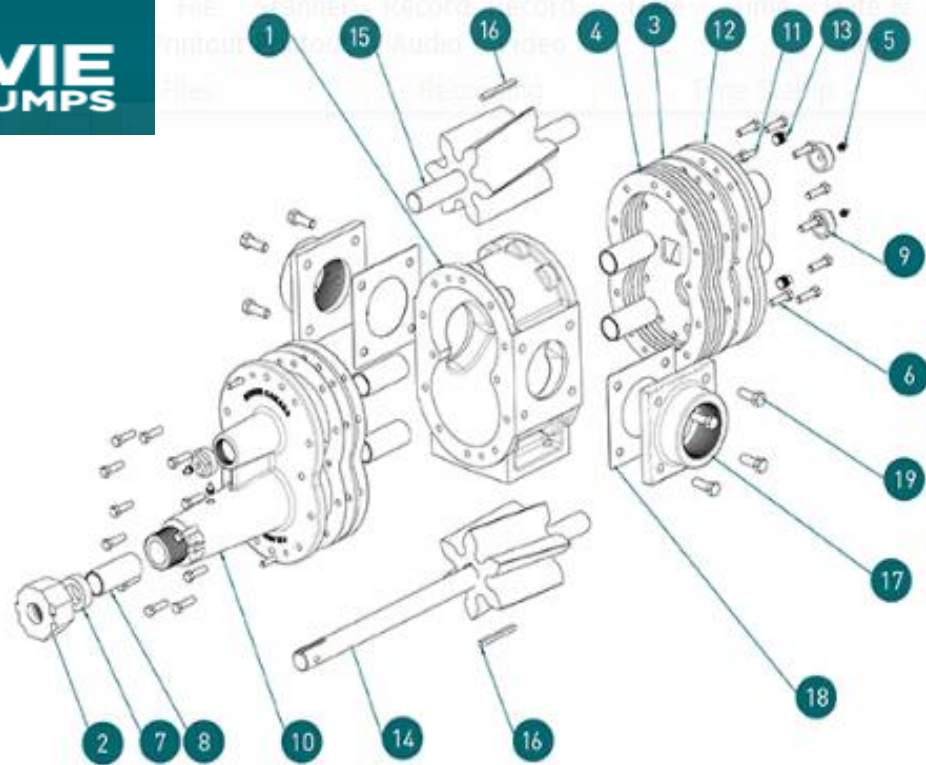
<u>Line Abbrev</u>	<u>Part Number</u>	<u>MAS-Pro Oilfield Supply DESCRIPTION</u>
PMP	BP4300	BOWIE PUMP 4300 SERIES
MS3	BP4300C1101	BOWIE PUMP 4300 SERIES COUPLING #110 1
MS3	BP4300C1101R	BOWIE PUMP 4300 SERIES COUPLING #110 1 SPIDER(RUB)
PMP	BP4300C1101-1/8	BOWIE PUMP 4300 SERIES COUPLING #110 1-1/8"
PMP	BP4300C1101-1/8R	BOWIE PUMP 4300 SERIES COUPLING #110 1-1/8" SPIDER
PMP	BP4300C110SS	BOWIE PUMP 4300 SERIES COUPLING SET SCREW
PMP	BP4300G4	BOWIE PUMP 4300 SERIES GASKET 4"
PMP	BP4300K	BOWIE PUMP 4300 SERIES KEYWAY (12)

MAS-Pro Oilfield Supply, Division of 1223492 Alberta LTD.

Red Deer - 4841-78st, T4P 1S9, 403-341-5959

GP/Clairmont - #101, 6902-98st, T8X 5A1, 780-832-9899

Website : www.mas-prosupply.com

Ref #	Part Number	Description	Qty
1	● 303	Centre Case	1
2	4301ED	Packing Nut	1
3	3307HPB	Wear Plate	2
4	3306	Pump Gasket	10
5	3316	Grease Fitting	4
6	3314	End Plate Bolt	24
7	3313G	Graphite Packing	3
	3313T	Teflon Packing	3
8	4309AB	Aluminum Bronze Bushing	5
	4309T	Teflon Bushing	5
9	4308BF	End Plug (c/w fittings)	3
10	4302ED	Front Plate (c/w bushings)	1
11	3315H	Dowel Pin	4

Ref #	Part Number	Description	Qty
12	4307ED	Back Plate (c/w bushings)	1
13	3316	Drain Plug	2
	● 305ED	Buna-N Nitrile Drive Gear c/w Drive Shaft and Key	1
14	● 305EDHC	Helical Steel Drive Gear c/w Drive Shaft and Key	1
	● 304ED	Buna-N Nitrile Idler Gear c/w Idler Shaft and Key	1
15	● 304EDHC	Helical Steel Idler Gear c/w Idler Shaft and Key	1
16	3304K	Gear Key - See Ref #14 and #15	2
17	● 310	Adaptor Flange	2
18	● 311	Adaptor Flange Gasket	2
19	346FBK	Adaptor Flange Bolt Kit	1

MAS-Pro Oilfield Supply, Division of 1223492 Alberta LTD.
 Red Deer - 4841-78st, T4P 1S9, 403-341-5959
 GP/Clairmont - #101, 6902-98st, T8X 5A1, 780-832-9899
 Website : www.mas-prosupply.com

CENTRIFICAL PUMP

<u>Line Abbrev</u>	<u>Part Number</u>	<u>MAS-Pro Oilfield Supply DESCRIPTION</u>
PMP	CP3X4MCM118	CENTRIFICAL PUMP 3" X 4" MCM118
PMP	CPF8S178	CENTRIFICAL PUMP FLANGE 8S X 1-7/8"
PMP	CP1-7/8PG	CENTRIFICAL PUMP PACKING GLAND 1-7/8"
PMP	CPS8J178	CENTRIFICAL PUMP SLEEVE 8J 1-7/8"

CENTRIFUGE ASSORTED

<u>Line Abbrev</u>	<u>Part Number</u>	<u>MAS-Pro Oilfield Supply DESCRIPTION</u>
TRK	FCS41011	CENTRIFUGE ASSY #CS41011
TST	CENTBS	CENTRIFUGE BOWL SEAL
TST	CENT18811	CENTRIFUGE COMPLETE #18811 (PEAR HEAD)
TST	CHANDLE	CENTRIFUGE HANDLE
TST	CENTS	CENTRIFUGE SMALL COMPLETE

CENTRIFUGE PACKING

<u>Line Abbrev</u>	<u>Part Number</u>	<u>MAS-Pro Oilfield Supply DESCRIPTION</u>
PMP	CP1-1/21LB	CENTRIFUGE PACKING 1-1/2" (1LB BOX)
PMP	CP1-1/8	CENTRIFUGE PACKING 1-1/8"
PMP	CP1-7/8	CENTRIFUGE PACKING 1-7/8"
PMP	CP2-1/2	CENTRIFUGE PACKING 2-1/2"

CHEMICAL PUMP & PARTS

<u>Line Abbrev</u>	<u>Part Number</u>	<u>MAS-Pro Oilfield Supply DESCRIPTION</u>
PMP	CIPB	CHEMICAL INJECTION PUMP BRUIN #BR43331P-1511
SFY	CJ	CHEMICAL JACKET
GAS	CHB	CHEMICAL POT COUPLING FOR BOILER (VICTAULIC) 114.3MM
TRK	CP	CHEMICAL PUMP SET-UP FOR BOILER
SFY	CSRHH	CHEMICAL SUIT/RAIN HELLY HANSON (FR600XL FR80)

EMSCO

<u>Line Abbrev</u>	<u>Part Number</u>	<u>MAS-Pro Oilfield Supply DESCRIPTION</u>
PMP	EF800VS	EMSCO F/800 VALVE SPRING 951
PMP	EF8006KP	EMSCO F/800 VALVES KEEPER PINS SWE 6318/6319-LC
PMP	EF8005SH	EMSCO F-800 5 SOUTHWEST HEAD
PMP	EF8005-1/2L	EMSCO F-800 5-1/2" LINER
PMP	EF8005-1/2MH	EMSCO F-800 5-1/2" MISSION HEAD
PMP	EF8005-1/2SH	EMSCO F-800 5-1/2" SOUTHWEST HEAD
PMP	EF8006L	EMSCO F-800 6" LINER
PMP	EF8006MH	EMSCO F-800 6" MISSION HEAD
PMP	EF8006SH	EMSCO F-800 6" SOUTHWEST HEAD
PMP	LGF800	LINER GASKET F/EMSCO F800

GARDNER DENVER

<u>Line Abbrev</u>	<u>Part Number</u>	<u>MAS-Pro Oilfield Supply DESCRIPTION</u>
PMP	GDPPG3-1/2	GARDNER DENVER PLUNGER PACKING GOLD 3-1/2" #311713

MAS-Pro Oilfield Supply, Division of 1223492 Alberta LTD.
Red Deer - 4841-78st, T4P 15N, 403-341-5959
GP/Clairmont - #101, 6902-98st, T8X 5A1, 780-832-9899
Website : www.mas-prosupply.com

Gardner Denver

GARDNER DENVER TQCD

<u>Line Abbrev</u>	<u>Part Number</u>	<u>MAS-Pro Oilfield Supply DESCRIPTION</u>
PMP	GDTQCDVCS	GD TQCD #04-G25AL39 VALVE CAP SEAL
PMP	GDTQCDG53	GD TQCD #04-G25AL53 GASKET
PMP	GDTQCDVSB5	GD TQCD #04-G25AL59 STUFFING BOX SEAL
PMP	GDTQCDG60	GD TQCD #04-G25AL60 GASKET
PMP	GDTQCDCVA	GD TQCD #05-AR6A-12 COMPLETE VALVE ASSEMBLY
PMP	GDTQCDVI	GD TQCD #05-ARI-06 VALVE INSERT
PMP	GDTQCDVA	GD TQCD #05-ARV-06 VALVE ASSEMBLY

GARDNER DENVER TEE

<u>Line Abbrev</u>	<u>Part Number</u>	<u>MAS-Pro Oilfield Supply DESCRIPTION</u>
PMP	TEEB	TEE G.D BAFFLE #200TAE840
PMP	TEEC	TEE G.D CAGE
PMP	TEEC201	TEE G.D CAGE #201VWF
PMP	TEESCS9	TEE G.D DISCHARGE/SUCTION SPRING #78C39(3" X 4")
PMP	TEES	TEE G.D DISCHARGE/SUCTION SPRING #78H26
PMP	TEE04G25AL20	TEE G.D GASKET #04G25AL20
PMP	TEEOC	TEE G.D OIL CAP
PMP	TEERR	TEE G.D RETAINING RING #74D43
PMP	TEEVR	TEE G.D URETHANE VALVE RUBBERS #1PA452
PMP	TEEVRARI-10	TEE G.D URETHANE VALVE RUBBERS(GROOVED) #ARI-10

GARDNER DENVER TEE PACKING

<u>Line Abbrev</u>	<u>Part Number</u>	<u>MAS-Pro Oilfield Supply DESCRIPTION</u>
PMP	TEEPP4	TEE G.D / KSM PLUNGER PACKING 4" #60BU72
PMP	TEEPRP	TEE G.D PONY ROD PACKING #60-DD-99
PMP	TEERP3	TEE G.D ROPE PACKING 3" #0299-01-0151-03
PMP	TEERP4	TEE G.D ROPE PACKING 4" #0299-01-0093-04
PMP	TEERP3X5	TEE G.D TEFLON ROPE PACKING 3" X 5"

MAS-Pro Oilfield Supply, Division of 1223492 Alberta LTD.
Red Deer - 4841-78st, T4P 15N, 403-341-5959
GP/Clairmont - #101, 6902-98st, T8X 5A1, 780-832-9899
Website : www.mas-prosupply.com

GARDNER DENVER TEE VALVE ASSY

<u>Line Abbrev</u>	<u>Part Number</u>	<u>MAS-Pro Oilfield Supply DESCRIPTION</u>
PMP	TEEVA482	TEE G.D VALVE ASSY #05-204TEE482
PMP	TEEVAOEM	TEE G.D VALVE ASSY #1PT-206C
PMP	TEEVA	TEE G.D VALVE ASSY #200PEE482A
PMP	TEEVA213	TEE G.D VALVE ASSY #213VWG482
PMP	TEEVAAR10	TEE G.D VALVE ASSY #AR10A-9803B
PMP	TEEVCN	TEE G.D VALVE CAP NUT
PMP	TEEVCSK	TEE G.D VALVE CAP SEAL KIT
PMP	TEEVCS	TEE G.D VALVE CAP STUD

KSM

<u>Line Abbrev</u>	<u>Part Number</u>	<u>MAS-Pro Oilfield Supply DESCRIPTION</u>
PMP	6261	KSM MP350 CAGE #LK1331
PMP	6264	KSM MP350 RETAINER #LK1463
PMP	5984	KSM MP350 SEAT #LK1335
PMP	6262	KSM MP350 SPRING #LK1262
PMP	6265	KSM MP350 STEM & NUT #LK1462
PMP	6263	KSM MP350 VALVE ASSY #LK1464
PMP	6266	KSM MP350 VALVE INSERT BUNA #LK1333
PMP	6675	KSM MP350 VALVE INSERT URETHANE #LK1333
PMP	4177	KSM MUD PUMP GASKET

LOVEJOY ASSORTED

<u>Line Abbrev</u>	<u>Part Number</u>	<u>MAS-Pro Oilfield Supply DESCRIPTION</u>
PMP	LJC5/8	LOVE JOY COUPLING #5JX58 3/4 SHAFT
PMP	LJC7/8	LOVE JOY COUPLING #5JX78 7/8 SHAFT
PMP	LJCL050375	LOVE JOY COUPLING #L050375
PMP	LJC118	LOVE JOY COUPLING 1-1/8" #5JX118
PMP	00520K90242	LOVEJOY COUPLING 1" L-100
PMP	00520K90246	LOVEJOY COUPLING 1-1/8" L-100
PMP	00520K90716	LOVEJOY COUPLING SPIDER (SLEEVE)



MAS-Pro Oilfield Supply, Division of 1223492 Alberta LTD.
Red Deer - 4841-78st, T4P 1S9, 403-341-5959
GP/Clairmont - #101, 6902-98st, T8X 5A1, 780-832-9899
Website : www.mas-prosupply.com

LOVEJOY SLEEVE

<u>Line Abbrev</u>	<u>Part Number</u>	MAS-Pro Oilfield Supply <u>DESCRIPTION</u>
PMP	LJCS5JESLV	LOVE JOY COUPLING SLEEVE #5JESLV(CENTRE INSERT)
PMP	LJCSL075N	LOVE JOY COUPLING SLEEVE #L075N
PMP	LJCSL090	LOVE JOY COUPLING SLEEVE #L090/L095N

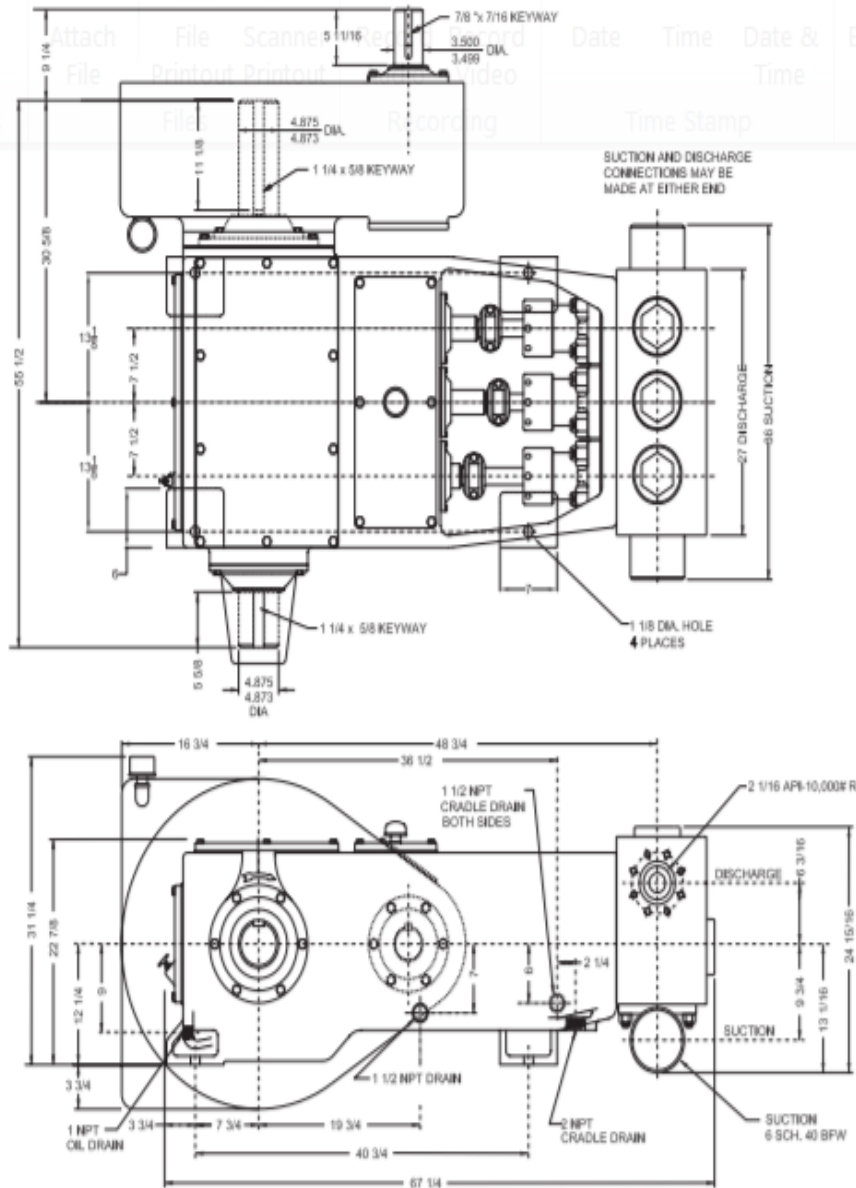
MISSION

<u>Line Abbrev</u>	<u>Part Number</u>	MAS-Pro Oilfield Supply <u>DESCRIPTION</u>
PMP	100-012114-290	JWS340 CAP SCREW (FOR SPRING GUIDE)
PMP	G1718265	JWS340 CAP SEAL OEM MISSION
BAK	MS6418	JWS340 DISCHARGE SEAT
PMP	JWS340PP	JWS340 PLUNGER PACKING
PMP	1561572	JWS340 SEAT DISCHARGE OEM MISSION
PMP	1561571	JWS340 SEAT SUCTION OEM MISSION
BAK	19000-54	JWS340 SPRING
PMP	G1560697	JWS340 SPRING OEM MISSION
BAK	MS6417	JWS340 SUCTION SEAT
PMP	1561575	JWS340 VALVE ASSY OEM MISSION
BAK	MV647	JWS340 VALVE ASSY W/INSERT
BAK	MIA64	JWS340 VALVE INSERT
PMP	7619050	JWS340 WASHER 1/2" (FOR SPRING GUIDE)
PMP	MCPB	MISSION CENTRIFUGAL PUMP BOLT
PMP	MG20622A	MISSION GLAND ASSY PACKING #20622A

Division of 1223492 Alberta Ltd.

MAS-Pro Oilfield Supply, Division of 1223492 Alberta LTD.
 Red Deer - 4841-78st, T4P 1S1N, 403-341-5959
 GP/Clairmont - #101, 6902-98st, T8X 5A1, 780-832-9899
 Website : www.mas-prosupply.com

JWS-340 Triplex Well Service Pump



Specifications

Pump size:

max. dia. X stroke, in.(mm):
4 1/2 x 5 (114.3 x 127)

Rated bhp at 450 rpm (kw): 340 (253.5)

Maximum pressure: psi (kPa):
10,000(68,950)

Stroke length in. (mm): 5 (127)

Max. speed rpm: 450

Max. plunger in.(mm): 4 (101.6)

Max. piston in.(mm): 4 1/2 (114.3)

Crankshaft extension: in. (mm)

Diameter: 4 7/8 (123.8)

Length: 11 3/4 (298.0)

Keyway (width x depth):

1 1/4 x 5/8 (32.0 x 16.0)

Pinion shaft extension,

if gear unit supplied in.(mm)

For belt or chain drive:

Diameter: 3 1/2 (88.9)

Length: 5 11/16 (144)

Keyway (width x depth):

7/8 x 7/16 (22.2 x 11.1)

For direct drive:

Diameter: 3 1/2 (88.9)

Length: 5 11/16 (144)

Keyway (width x depth):

7/8 x 7/16 (22.2 x 11.1)

Accessory gear units:

See accessories for reduction ratios

Oil capacity: gallons(L)

Crankcase: 8 (30.3)

Gear Unit - Varies with gear ratio:

3.5 to 6.5 (13.2 to 24.6)

Weight, pump only on

wood shipping skids pounds (Kg):

5200 (2359)

Gear unit, approximate pounds (Kg):

1100 (499)

Standard Equipment

Forged steel fluid end

Forged steel valve covers

Piston and liners or plungers & packing

Slush type valves

Oil level dipstick

Crankcase breather

Stainless steel extension rods

Double extended crankshaft

Accessories

Gear Reducers

2.27:1, 2.89:1, 3.25:1, 4.38:1, 4.84:1, 5.63:1

Suction stabilizer

Discharge dampener

Liner flush system

Plunger lubricator

Valve seat puller assembly

Complete unitization with

electric motor or engine drive

Rod Load

Rod Load = 59,820 pounds (27,134 kg)

Pump Model	Flange Connections	
	Discharge Connection Sizes	Suction Connection Sizes
JWS-340	2 1/16 API 10,000# RJ	6 STD Pipe

OFM ASSORTED

<u>Line Abbrev</u>	<u>Part Number</u>	MAS-Pro Oilfield Supply <u>DESCRIPTION</u>
PMP	OFMDCS	OFM DISCHARGE COVER SEAL #OFM109379
PMP	OFMHR3-1/2	OFM HEADER RING 3-1/2" #901VP014-012
PMP	OFMLR	OFM LANTERN RING(PACKING ADAPTER) 600S #3P103050
PMP	OFM3102008098	OFM PLUNGER ASSY #3102008098 (160CP004)
PMP	OFMPR3-1/2D	OFM PRESSURE RING 3-1/2" DOUBLE #901VP002-012
PMP	OFMPR3-1/2S	OFM PRESSURE RING 3-1/2" DOUBLE #901VP002-012
PMP	OFMRS	OFM RING SEAL 600S #3P103034
PMP	OFMRW3-1/2	OFM ROD WIPER 3-1/2" #901SH01-3
PMP	OFMSP3-1/2	OFM SPACER-PACKER 3-1/2" #199PN001-003
PMP	OFMSCOR	OFM SUCTION COVER O-RING #901SH05-427
PMP	OFMSCS	OFM SUCTION COVER SEAL #OFM108291

OFM BACK UP RING

<u>Line Abbrev</u>	<u>Part Number</u>	MAS-Pro Oilfield Supply <u>DESCRIPTION</u>
PMP	OFMBUR901PN017 2	OFM BACK UP RING #901PN017
PMP	OFMBUR901PN017-002	OFM BACK UP RING #901PN017-002
PMP	OFMBUR	OFM BACK UP RING #901PN017-005

OFM O-RING

<u>Line Abbrev</u>	<u>Part Number</u>	MAS-Pro Oilfield Supply <u>DESCRIPTION</u>
PMP	OFMOR901SH05-249	OFM O-RING #901SH05-249
PMP	OFMOR901SH05-256	OFM O-RING #901SH05-265
PMP	OFMOR901SH05-326	OFM O-RING #901SH05-326
PMP	OFMOR	OFM O-RING #901SH05-344
PMP	OFMOR901SH05-347	OFM O-RING #901SH05-347
PMP	OFMOR901SH05-249BU	OFM O-RING BACK UP #901SH0
PMP	OFMOR901SH05-347BU	OFM O-RING BACK UP #901SH0

OFM PACKING

<u>Line Abbrev</u>	<u>Part Number</u>	MAS-Pro Oilfield Supply <u>DESCRIPTION</u>
PMP	OFMPA3-1/2	OFM PACKING ADAPTER OPI 3-1/2" 500/600 #203PN001-00
PMP	OFMPSS	OFM PACKING SET 3-1/2" (STANDARD) 600S #3A10
PMP	OFMPSSG	OFM PACKING SET 3-1/2" (SUPER GOLD) 600S #10

OFM VALVE

<u>Line Abbrev</u>	<u>Part Number</u>	MAS-Pro Oilfield Supply <u>DESCRIPTION</u>
PMP	OFMVA3-1/2	OFM VALVE ASSY 3-1/2" / 4" #NF-4-V2
PMP	OFMVI3-1/2	OFM VALVE INSERT 3-1/2" / 4" #NF-4IA
PMP	OFMS	OFM VALVE SEAT 3-1/2" - 4" #NF-4-S2
PMP	OFMVS3-1/2	OFM VALVE SPRING OPI 3-1/2" / 4" #918PN01
PMP	OFMVSR	OFM VALVE SPRING RETAINER #130PN08

MAS-Pro Oilfield Supply, Division of 1223492 Alberta LTD.
Red Deer - 4841-78st, T4P 15N, 403-341-5959
GP/Clairmont - #101, 6902-98st, T8X 5A1, 780-832-9899
Website : www.mas-prosupply.com

OILWELL

<u>Line Abbrev</u>	<u>Part Number</u>	<u>MAS-Pro Oilfield Supply DESCRIPTION</u>
PMP	OW6X4CSG	OILWELL 4X6 CAP SEAL GASKET #901SH13-2 SA-640-5
PMP	OW6X4HR103	OILWELL 4X6 HEADER RING #AH-103
PMP	OW6X4LSPG	OILWELL 4" X 6" LOWER SUCTION PLATE GASKET #45-804-235
PMP	OW6X4PP	OILWELL 4" X 6" PLUNGER PACKING #03-15-800-60 SA-6
PMP	OW6X4PRS	OILWELL 4X6 PONY ROD SEAL #06-68-630-458 SB-640-5
PMP	OW6X4PR103	OILWELL 4X6 PRESSURE RING #SF-103
PMP	OW6X4JFM103	OILWELL 4X6 WIPER RING #JFM-103

SERVA ASSORTED

<u>Line Abbrev</u>	<u>Part Number</u>	<u>MAS-Pro Oilfield Supply DESCRIPTION</u>
PMP	AS1/4SP	ALLEN SCREWS 1/4" FOR SERVA PACKING
PMP	P8T0005300	MSI PACKING ASSY #P8T0005300
PMP	P8T0005300LR	MSI PACKING ASSY LANTERN RING #P8T0005300
PMP	608PN01	PACKING NUT WRENCH #608PN01
PMP	PS0401OE41514000-320	PISTON SEAL #0401OE4151400
PMP	PT350VIR	PT350 VALVE INSERT RUBBER
PMP	PUPAR	PUMP UNIT #P2145L00C3C24LA20N00B2A1P
PMP	P60-34-206	SERVA POLYPAK SEAL FOR 3-1/2" & 4-1/2" #P60-34-206
PMP	P60-30-601	SERVA RUBBER #P60-30-601
PMP	P60-34-920	SERVA SLIDE HAMMER #P60-34-920
PMP	STK3	SERVA TOOL KIT 3" #P60-09-004



SERVA PACKING

<u>Line Abbrev</u>	<u>Part Number</u>	<u>MAS-Pro Oilfield Supply DESCRIPTION</u>
PMP	PLUNG-838-1-0084-04	PLUNGER PACKING 3-1/2" REGULAR
PMP	858-1-0084-04	PLUNGER PACKING 3-1/2" SUPER GOLD
PMP	838-1-0103-03	PLUNGER PACKING 4" SUPER GOLD
PMP	60DD99	PLUNGER PACKING SET
PMP	1028-01-0084-51	PLUNGER PACKING SUPER GOLD
PMP	P8T0005350MSI	SERVA PACKING ASSY 3" #P8T0005350(MSI#FEC0419-
PMP	FEC0437	SERVA PACKING ASSY 3-1/2" #FEC0437 V GROOVE MSI
PMP	P8T0005350	SERVA PACKING ASSY 3-1/2" #P8T0005350
PMP	FEC0034	SERVA PACKING ASSY 4-1/2" #FEC0034 V GROOVE MSI
PMP	P8T0005450	SERVA PACKING ASSY 4-1/2" #P8T0005450
PMP	P60-34-940	SERVA PACKING NUT TOOL0.63 #P60-34-940

MAS-Pro Oilfield Supply, Division of 1223492 Alberta LTD.
Red Deer - 4841-78st, T4P 1S1N, 403-341-5959
GP/Clairmont - #101, 6902-98st, T8X 5A1, 780-832-9899
Website : www.mas-prosupply.com

SERVA DEFLECTOR

<u>Line Abbrev</u>	<u>Part Number</u>	<u>MAS-Pro Oilfield Supply DESCRIPTION</u>
PMP	P60-44-807	SERVA DEFLECTOR 4-1/2" #P60-44-807
PMP	P60-44-806	SERVA DEFLECTOR COVER 4-1/2" #P60-44-806

SERVA DIAPHRAGM

<u>Line Abbrev</u>	<u>Part Number</u>	<u>MAS-Pro Oilfield Supply DESCRIPTION</u>
MS3	SDOS3-1/2	SERVA DIAPHRAGM OIL SEAL 3-1/2"
PMP	P60-44-817	SERVA DIAPHRAGM OIL SEAL 4-1/2" #P60-44-817
PMP	P60-34-804	SERVA DIAPHRAGM PLATE GASKET 4-1/2" #P60-34-804
PMP	P61-34-011	SERVA DISCHARGE COVER 2 1502 3-1/2" & 4-1/2" #P61-
PMP	P61-34-103	SERVA DISCHARGE COVER 2 1502 3-1/2" & 4-1/2" #P61-
PMP	P61-34-401	SERVA DISCHARGE COVER 2 1502 3-1/2" & 4-1/2" #P61-
PMP	P60-30-105	SERVA DISCHARGE COVER SEAL #P60-30-105
PMP	P60-34-105	SERVA DISCHARGE COVER SEAL FOR 4-1/2" #P60-34-105

SERVA O-RING

<u>Line Abbrev</u>	<u>Part Number</u>	<u>MAS-Pro Oilfield Supply DESCRIPTION</u>
PMP	000P569153	SERVA O-RING FOR 3-1/2" & 4-1/2" #000P569153
PMP	000P569235	SERVA O-RING FOR 3-1/2" & 4-1/2" #000P569235

SERVA PLUNGER

<u>Line Abbrev</u>	<u>Part Number</u>	<u>MAS-Pro Oilfield Supply DESCRIPTION</u>
PMP	P60-30-006	SERVA PLUNGER #P60-30-006
PMP	P60-34-006	SERVA PLUNGER 3-1/2" #P60-34-006
PMP	P60-44-006	SERVA PLUNGER 4-1/2" #P60-44-006
PMP	P60-34-930	SERVA PLUNGER WRENCH TOOL 1-1/2" SQUARE #P60-34-930

SERVA SEAL

<u>Line Abbrev</u>	<u>Part Number</u>	<u>MAS-Pro Oilfield Supply DESCRIPTION</u>
PMP	P60-34-104	SERVA SEAL 1502 FOR 3-1/2" & 4-1/2" #P60-34-104
PMP	P60-34-800	SERVA SEAL SET ASSY FOR 3-1/2" #P60-34-800
PMP	P60-44-820	SERVA SEAL SET ASSY FOR 4-1/2" #P60-44-820

SERVA SUCTION

<u>Line Abbrev</u>	<u>Part Number</u>	<u>MAS-Pro Oilfield Supply DESCRIPTION</u>
PMP	P61-34-702	SERVA SUCTION COVER FOR 3-1/2" & 4-1/2" #P61-34-702
PMP	P60-34-704	SERVA SUCTION COVER SEAL FOR 3-1/2" & 4-1/2" #P60-34-
PMP	P60-30-007	SERVA SUCTION VALVE STOP #P60-30-007
PMP	P60-34-007	SERVA SUCTION VALVE STOP FOR 4-1/2" #P60-34-007

MAS-Pro Oilfield Supply, Division of 1223492 Alberta LTD.
 Red Deer - 4841-78st, T4P 1S9, 403-341-5959
 GP/Clairmont - #101, 6902-98st, T8X 5A1, 780-832-9899
 Website : www.mas-prosupply.com

SERVA VALVE

<u>Line Abbrev</u>	<u>Part Number</u>	<u>MAS-Pro Oilfield Supply DESCRIPTION</u>
PMP	P60-30-600	SERVA VALVE ASSY #P60-30-600
PMP	P60-34-600	SERVA VALVE ASSY 3-1/2" & 4-1/2" #P60-34-600
PMP	P60-34-910	SERVA VALVE COVER REMOVAL TOOL 2 HEX #P60-34-910
PMP	P60-34-308	SERVA VALVE LIFTER TOOL #P60-34-308
PMP	P60-30-008	SERVA VALVE SEAT #P60-30-008
PMP	P60-34-008	SERVA VALVE SEAT 3-1/2" & 4-1/2" #P60-34-008
PMP	P60-30-004	SERVA VALVE SPRING #P60-30-004
PMP	P60-34-004	SERVA VALVE SPRING 4-1/2" #P60-34-004
PMP	P60-44-004	SERVA VALVE SPRING 4-1/2" #P60-44-004
GAS	VCG	VALVE COVER GASKET 25A20

SJ300 ASSORTED

<u>Line Abbrev</u>	<u>Part Number</u>	<u>MAS-Pro Oilfield Supply DESCRIPTION</u>
PMP	43570-A2	AUTOMATIC GREASER (SJ300)
PMP	SJ300B	SJ300 BEARING #P1400072AA
PMP	SJ300BLOR	SJ300 BRASS LINER O-RING (256 70D)
PMP	SJ300BUSH	SJ300 BUSHING 3/8" X 1-1/4" #P23000050AA
PMP	CRBSJ300	CONNECTING ROD BEARINGS SJ300
PMP	SJ300DC	SJ300 DIS-CHARGE CAPS (THREADED)
PMP	SJ300DS	SJ300 DIS-CHARGE SPRING (STRAIGHT)
PMP	SJ300GR	SJ300 GREASER #43570-A2
PMP	SJ300CBUR	SJ300 PUMP CAP BACK-UP RINGS #42899300
PMP	P1700161AA	SJ300 PRESSURE RING DBL STACK, HARD (SSF-250)
PMP	SJ300SHC	SJ300 SOCKET HEAD CAPSCREW #P2200457AA
PMP	SJ300SDOR	SJ300 SUCTION DRAIN O-RING 429
PMP	SJ300S	SJ300 SUCTION SPRING (CONE)
PMP	SJ300TC	SJ300 THREAD COVER (HAMMER CAP) #P0100056AA
PMP	SJ300W	SJ300 WRENCH

SJ300 CROSSHEAD

<u>Line Abbrev</u>	<u>Part Number</u>	<u>MAS-Pro Oilfield Supply DESCRIPTION</u>
PMP	SJ300CS	SJ300 CROSSHEAD SEAL #5300250025 (2)
PMP	SJ300CSH	SJ300 CROSSHEAD SEAL HOLDER #P1700279AA
PMP	SJ300SCHG	SJ300 CROSSHEAD SEAL HOLDER GASKET #P6200260AA

SJ300 O-RING

<u>Line Abbrev</u>	<u>Part Number</u>	<u>MAS-Pro Oilfield Supply DESCRIPTION</u>
PMP	SJ300OROEM	SJ300 O-RING #P1700048AA
PMP	SJ300OROEM49	SJ300 O-RING #P1700049AA
PMP	SJ300ORP1700	SJ300 O-RING #P1700159AA
PMP	SJ300OR	SJ300 O-RING (244 75D)
PMP	SJ300OK	SJ300 O-RING KIT
PMP	SJ300COR	SJ300 PUMP CAP O-RING #HS8428(2-428 80D)

MAS-Pro Oilfield Supply, Division of 1223492 Alberta LTD.
Red Deer - 4841-78st, T4P 15N, 403-341-5959
GP/Clairmont - #101, 6902-98st, T8X 5A1, 780-832-9899
Website : www.mas-prosupply.com

SJ300 PACKING

<u>Line Abbrev</u>	<u>Part Number</u>	<u>MAS-Pro Oilfield Supply DESCRIPTION</u>
PMP	SJ300PS	SJ300 PACKING #CPT10.02H26V (SOFT)
PMP	SJ300PH	SJ300 PACKING #CPT10.02H27V (HARD)
PMP	SJ300PK	SJ300 PACKING KIT #SJ-250-SSFB
PMP	SJ300OSP	SJ300 OIL STOP PACKING #P6200260AA

SJ300 PLUNGER

<u>Line Abbrev</u>	<u>Part Number</u>	<u>MAS-Pro Oilfield Supply DESCRIPTION</u>
PMP	SJ3005PR	SJ300 PLUNGER 5" #P2300151AA
PMP	SJ3005P	SJ300 PLUNGER PACKING 5"
PMP	SJ300PA	SJ300 PLUNGER PACKING LEAK PROOF #PLUNG-SJ300-5X6S-SS

SJ300 SEAL/ SEAT

<u>Line Abbrev</u>	<u>Part Number</u>	<u>MAS-Pro Oilfield Supply DESCRIPTION</u>
PMP	SJ300GS	SJ300 GLAND SEAL #P1300079AA
PMP	SJ300PRS	SJ300 PONY ROD SEAL #HG4-692-67 (POWER END 6 PE)
PMP	SJ300PEP	SJ300 POWER END OIL SEAL(42093600) GARLOC #63X8
PMP	SJ300SR	SJ300 SEAL RING 5" #P1700158AA
PMP	SJ300SEAT	SJ300 SEAT #P1100101AA
PMP	SJ300SEATOR	SJ300 SEAT O-RING SEAL #P1700051AA

SJ300 VALVE

<u>Line Abbrev</u>	<u>Part Number</u>	<u>MAS-Pro Oilfield Supply DESCRIPTION</u>
PMP	SJ300VA	SJ300 VALVE ASSY
PMP	SJ300VAI	SJ300 VALVE ASSY IMPORT
PMP	SJ300VCS	SJ300 VALVE CAP SEAL KIT #05-CPT-VCS
PMP	SJ300UVR	SJ300 VALVE INSERT URETHANE #P1700050AA

PACKING

<u>Line Abbrev</u>	<u>Part Number</u>	<u>MAS-Pro Oilfield Supply DESCRIPTION</u>
PMP	P1GRA-1/4	PACKING 1/4" GRAPHITE 1LB
PMP	RP3/8	ROPE PACKING 3/8" #802-375
BTO	SBBT-HSN	STUFFING BOX PACKING HSN 1/2" X 1/2"
PMP	P12HD	PACKING 1-1/2" HSN DOME
PMP	P14HD	PACKING 1-1/4" HSN DOME
PMP	CP11/4	PACKING CONE 1-1/4" 7-RING BOX
PMP	P1-1/2SR	1-1/2" SPLIT RING PACKING
CNR	LP2-1/2X1-1/2X4	2-1/2" X 1-1/2" X 4" LUBRIKUP PACKING

PACKING PULLER

<u>Line Abbrev</u>	<u>Part Number</u>	<u>MAS-Pro Oilfield Supply DESCRIPTION</u>
PMP	PPS	PACKING PULLER SMALL #1
PMP	PPM	PACKING PULLER MEDIUM #2 #P0-F2-PULL
PMP	PPL	PACKING PULLER LARGE #3

MAS-Pro Oilfield Supply, Division of 1223492 Alberta LTD.
Red Deer - 4841-78st, T4P 1S9, 403-341-5959
GP/Clairmont - #101, 6902-98st, T8X 5A1, 780-832-9899
Website : www.mas-prosupply.com

SHAKER SCREEN

<u>Line Abbrev</u>	<u>Part Number</u>	<u>MAS-Pro Oilfield Supply DESCRIPTION</u>
PMP	S24X82	SCREEN 24" X 84"
PMP	SS29X42100	SHAKER SCREEN 29" X 42" 100
PMP	SS29X42120	SHAKER SCREEN 29" X 42" 120
PMP	SS30X42100	SHAKER SCREEN 30" X 42" 100
PMP	SS30X42120	SHAKER SCREEN 30" X 42" 120 GRIT

UC PROJECTILE

<u>Line Abbrev</u>	<u>Part Number</u>	<u>MAS-Pro Oilfield Supply DESCRIPTION</u>
PMP	UC20	UC20 PROJECTILE
PMP	UC26	UC26 PROJECTILE 3/4"
PMP	UC33	UC33 PROJECTILE
PMP	UCA18	UCA18 PROJECTILE
PMP	UCA26	UCA26 PROJECTILE

PIPELINE PIGS

<u>Line Abbrev</u>	<u>Part Number</u>	<u>MAS-Pro Oilfield Supply DESCRIPTION</u>
EQP	MDPSG	MULTI DISK PIG 60DUROGREY
CHM	MDPS	MULTI DISK PIG 80 DUROGREEN
NIP	PLP2SF	PIPE LINE PIG 2" SOFT FOAM
NIP	PLP2MD	PIPE LINE PIG 2" MEDIUM DENSITY
NIP	PLP2.1X4	PIPE LINE PIG 2.10R ODX4R LONG
NIP	PLP2X4	PIPE LINE PIG 2R ODX4R LONG
NIP	PLP3SF	PIPE LINE PIG 3" SOFT FOAM
NIP	PLPMD	PIPE LINE PIG 3" MEDIUM DENSITY
NIP	PLP3	PIPE LINE PIG 3"
NIP	PLP4SF	PIPE LINE PIG 4" SOFT FOAM
NIP	PLP4MD	PIPE LINE PIG 4" MEDIUM DENSITY
NIP	PLP6SF	PIPE LINE PIG 6" SOFT FOAM
NIP	PLP6MD	PIPE LINE PIG 6" MEDIUM DENSITY
OFF	CP-6	BULLET PIG 6 (ORANGE COATED)
NIP	PPI	PROPANE PIG
C&C	APCD6	ARGUS PIG CUP& DISK STYLE
OFF	APCD6 Y	ARGUS PIG CUP& DISK STYLE 6" YELLOW

MAS-Pro Oilfield Supply, Division of 1223492 Alberta LTD.
Red Deer - 4841-78st, T4P 1S1N, 403-341-5959
GP/Clairmont - #101, 6902-98st, T8X 5A1, 780-832-9899
Website : www.mas-prosupply.com

SPECIALITY PUMP & PARTS

<u>Line Abbrev</u>	<u>Part Number</u>	<u>MAS-Pro Oilfield Supply DESCRIPTION</u>
PMP	SBP4	4 COMP.LG BOX SLIDE RACK #DOR303
PMP	P6FS	6 FAILSAFE PISTONS
PMP	CPT100208	BACK UP RING #CPT 10.02.08
PMP	BC1-1/4TCP	BOTTOM CONES FOR 1-1/4" TEFLON CONE PACKING
PMP	BP3/8	BREATHER PLUG 3/8"
PMP	B3300PG	BUSHING 3300/PUMP GASKET
PMP	AR89A-02C	COORSTEK VALVE ASSEMBLY
PMP	ML1101	COUPLING JAW 1 MARTIN SPROCKET
PMP	ML110118	COUPLING JAW 1-1/8 MARTIN SPROCKET
PMP	SRL110	COUPLING SPIDER BUNA F/ MATRIN COUPLER
PMP	EE300PP	EMPIRE E300 5" X 6" PLUNGER PACKING
PMP	F1000LWG	F1000 LINER C/W GASKET
PMP	D31X015F	FLO JET PUMP
VLV	FVGA2F3R	FLOAT VALVE FULL FLOW DRILL PIPE MODEL GA #2F-3R
PMP	P1GRA3/8	GRAPHITE PACKING 3/8" 1LBS
TNG	HP15K	HASKEL PUMP 15K WATER/HYDRAULIC
PMP	LGD5	LINER 5 GD PAH
PMP	L3C800	LINER 6 CITATION 800
PMP	LGD5S	LINER SEAL 5 GD PAH
RBR	340	MANIFOLD CAP O-RING HSN
PMP	MCG7	MUD CAN #G7
PMP	MCG7MP	MUD CAN #G7 METAL PLATE
PMP	OS415086N	OIL SEAL #415086N
RBR	CPT100207	O-RING #CPT 10.02.07
PMP	PS2 2000	PACKING STEM @ 20003 MODEL 72-SP224
PMP	PPS/500	PLASTIC PULL SEAL 500/PKG #STFPT7YW
PMP	PSCOK	POWER SEAL CHANGEOVER KIT FOR 3 PUMP
PMP	W00-21-001	ROTOR SEAL B3 (145106BQ)
PMP	RSSP	RUBBER SHAKER SCREEN PLUGS
PMP	SUC4	SEGMENT UC-4 8-5/8"
PMP	SBAMSI	STUFFING BOX ADAPTER 3-1/2" MSI
PMP	SBB5/8L	STUFFING BOX BOLTS 5/8" X 4.5" LOWER BOLTS
PMP	SBB5/8	STUFFING BOX BOLTS 5/8" X 5.5" UPPER BOLTS
PMP	TEEPS	TEE PLUNGER SEALS
PMP	CA-34151	VALVE ASSY CAT PUMPS MODEL #3517 (3 PC)
PMP	VIFEC0098	VALVE INSERT 2.75" - 3" FEC0098
PMP	VIU	VALVE INSERT URETHANE #05-LK1335
MS3	P105761	VALVE INSERT URETHANE #P105761
HYD	VP024-44185-0	VANE PUMP#024-44185-0
HYD	VP024-45100-0	VANE PUMP#024-45100-0
HYD	VP024-51247-0	VANE PUMP#024-51247-0

MAS-Pro Oilfield Supply, Division of 1223492 Alberta LTD.
Red Deer - 4841-78st, T4P 1S1N, 403-341-5959
GP/Clairmont - #101, 6902-98st, T8X 5A1, 780-832-9899
Website : www.mas-prosupply.com

OTECO

<u>Line Abbrev</u>	<u>Part Number</u>	<u>MAS-Pro Oilfield Supply DESCRIPTION</u>
PMP	OPNA	OTECO PENNY NAIL ASSORTMENT
PMP	OPNB	OTECO PENNY NAIL BLACK
PMP	OPNBL	OTECO PENNY NAIL BLUE
PMP	OPNGR	OTECO PENNY NAIL GREEN
PMP	OPNG	OTECO PENNY NAIL GREY
PMP	OPNO	OTECO PENNY NAIL ORANGE
PMP	OPNR	OTECO PENNY NAIL RED
PMP	OPNS	OTECO PENNY NAIL SILVER

MAS-Pro

Oilfield Supply

A division of 1223492 Alberta Ltd.

MAS-Pro Oilfield Supply, Division of 1223492 Alberta LTD.
Red Deer - 4841-78st, T4P 1S1N, 403-341-5959
GP/Clairmont - #101, 6902-98st, T8X 5A1, 780-832-9899
Website : www.mas-prosupply.com