

TUBING & ROD TONG

ROD TONG BACK UP

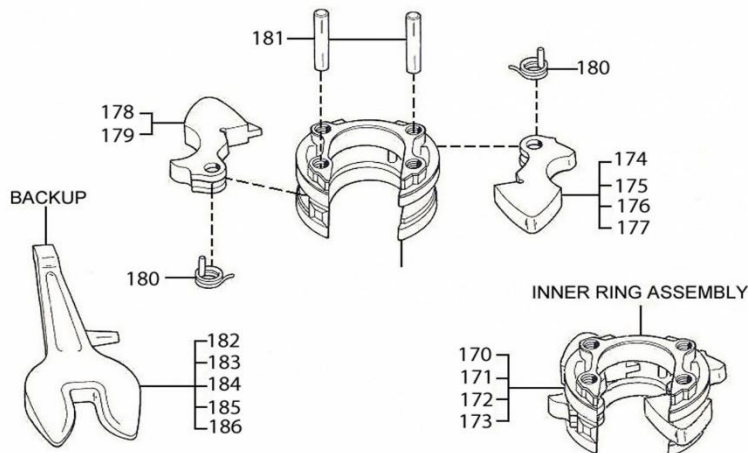
<u>Line Abbrev</u>	<u>Part Number</u>	<u>MAS-Pro Oilfield Supply DESCRIPTION</u>
TNG	RTB5/8	ROD TONG BACK UP 5/8"
TNG	RTB3/4-7/8	ROD TONG BACK UP 3/4" X 7/8"
TNG	RTB7/8EL	ROD TONG BACK UP 7/8" EL (ELECTRA)
TNG	RTB1	ROD TONG BACK UP 1"
TNG	RTB1-1/8	ROD TONG BACK UP 1-1/8"

ROD TONG INNER RING

<u>Line Abbrev</u>	<u>Part Number</u>	<u>MAS-Pro Oilfield Supply DESCRIPTION</u>
TNG	RTIRA5/8-7/8	ROD TONG INNER RING 5/8" - 7/8" ASSEMBLY 5/8" - 7/8"
TNG	RTIRA5/8-7/8EL	ROD TONG INNER RING ASSEMBLY 7/8" EL (ELECTRA)
TNG	RTIRA1	ROD TONG INNER RING 1" ASSEMBLY 1"
TNG	RTIRA1-1/8	ROD TONG INNER RING 1-1/8" ASSEMBLY 1-1/8"
TNG	RTIRA1I	ROD TONG INNER RING ASSEMBLY 1" INSERTS
TNG	RTIRARKSP	ROD TONG INNER RING ASSEMBLY REPAIR KIT (SPRIN

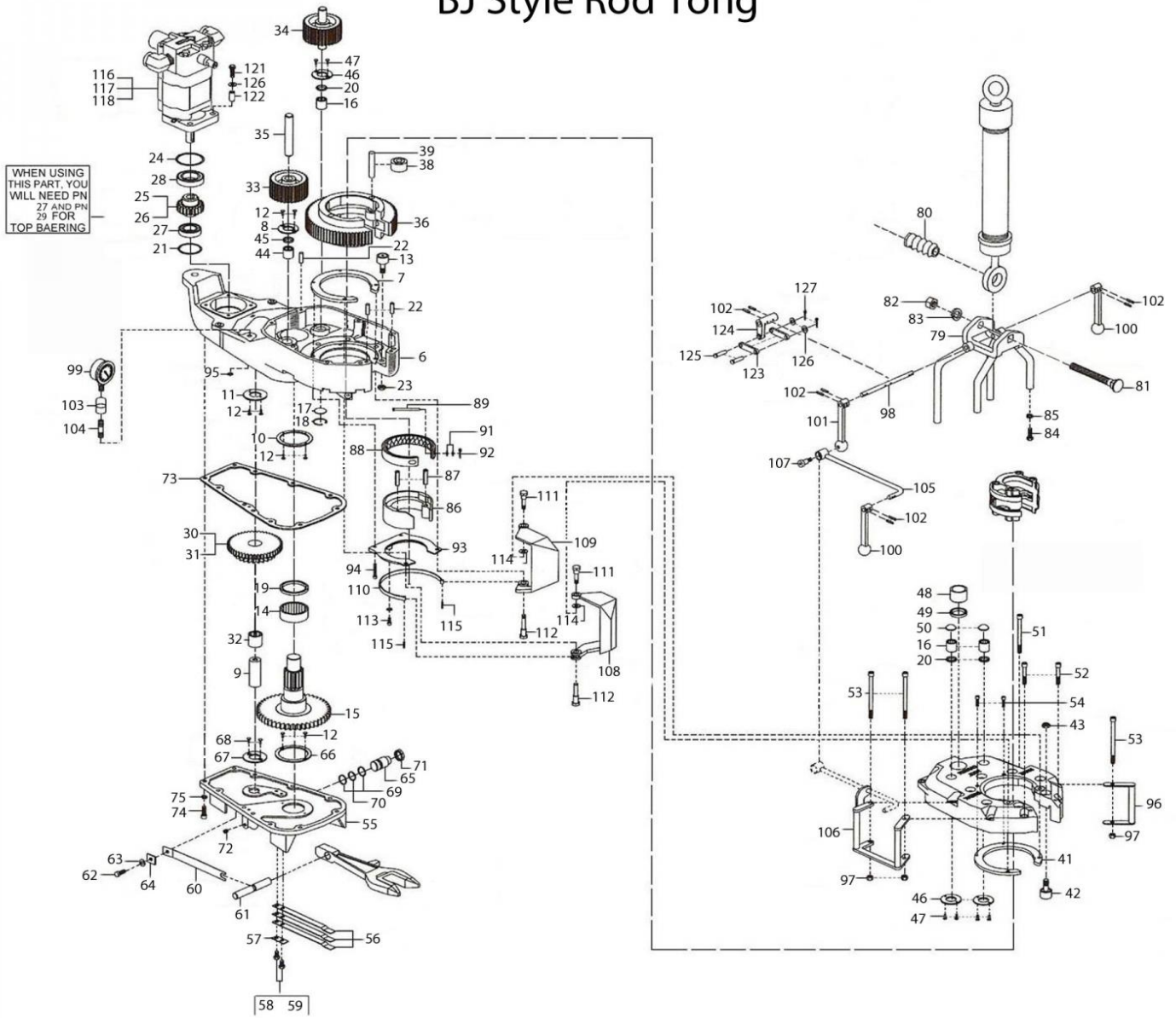


BJ Style Jaw Assembly



MAS-Pro Oilfield Supply, Division of 1223492 Alberta LTD.
Red Deer - 4841-78st, T4P 1S9, 403-341-5959
GP/Clairmont - #101, 6902-98st, T8X 5A1, 780-832-9899
Website : www.mas-prosupply.com

BJ Style Rod Tong



MAS-Pro Oilfield Supply, Division of 1223492 Alberta LTD.
 Red Deer - 4841-78st, T4P 1S1N, 403-341-5959
 GP/Clairmont - #101, 6902-98st, T8X 5A1, 780-832-9899
 Website : www.mas-prosupply.com

TONG DIE

<u>Line Abbrev</u>	<u>Part Number</u>	<u>MAS-Pro Oilfield Supply DESCRIPTION</u>
TNG	TD583478	TONG DIE 5/8" X 3/4" X 7/8" (ROD TONG)
TNG	TD1	TONG DIE 1" (ROD TONG)
TNG	TD118	TONG DIE 1-1/8" (ROD TONG)
MCC	13-0006-314-0	TONG DIE 1-1/4 X 3/8 X 3-7/8 L
MCC	13-0008-314-0	TONG DIE 1-1/4 X 1/2 X 3-7/8 L
TNG	TONGD3-7/8	TONG DIE 1-1/4" X 1/2" X 3-7/8" #130-TD-169-1
MCC	13-0009-314-0	TONG DIE 1-1/4 X 9/16 X 3-7/8
MCC	13-0010-314-0	TONG DIE 1-1/4 X 5/8 X 3-7/8 L
MCC	13-0011-314-0	TONG DIE 1-1/4" X 11/16" X 3-7/8"
MCC	13-0012-314-0	TONG DIE 1-1/4 X 3/4 X 3-7/8 L
MCC	13-0012-500-0	TONG DIE 1-1/4 X 3/4 X 5 L
MCC	13-0013-314-0	TONG DIE 1-1/4 X 13/16 X 3-7/8
MCC	13-0014-314-0	TONG DIE 1-1/4 X 7/8 X 3-7/8 L
MCC	13-0016-314-0	TONG DIE 1-1/4 X 1 X 3-7/8 L
TNG	Z2110-3	TONG DIE 121-156MM (FOR TEDA 5-1/2)
TNG	TD4.5U	TONG DIE 4.5" UNIVERSE #KK-0500-0408-0UNI
TNG	TD5U	TONG DIE 5" UNIVERSE #KK-0500-0500-0UNI
TNG	TD5.5U	TONG DIE 5.5" UNIVERSE #KK-0500-0508-0UNI
TNG	Z2110-1	TONG DIE 60-78MM (FOR TEDA 5-1/2")
TNG	TF60-78	TONG DIE 60-78MM #Z6-73
TNG	Z2110-2	TONG DIE 89-114MM (FOR TEDA 5-1/2")
TNG	N401	TONG DIE N401 2-3/8" - 2-7/8" (74-92)
TNG	TDN502	TONG DIE N502 1-7/8" - 2-3/8"
TNG	TONGD89-142	TONG DIE 3-1/2" 89-142MM #Z6-73A
TNG	N503	TONG DIE N503 (A110) PYRAMID TOOTH
TNG	N503D	TONG DIE N503 GILL STRAIGHT TOOTH
TNG	N5054	TONG DIES N505-4 2-7/8" - 3-1/2"
TNG	N505	TONG DIES N505 3-1/2" - 4-1/2"
TNG	N505-1	TONG DIES N505-1 4" - 5" (CH58)
TNG	FTD	TONG DIE #50-48-1 FOSTER STRAIGHT TOOTH

TONG DIE DIAMOND

<u>Line Abbrev</u>	<u>Part Number</u>	<u>MAS-Pro Oilfield Supply DESCRIPTION</u>
MCC	13-0006-314-D	TONG DIE DIAMOND 1-1/4" W X 3/8" T X 3-7/8" L
MCC	12-0006-314D	TONG DIE DIAMOND 1-1/4" W X 3/8" T X 3-7/8" L
MCC	13-0007-314-D	TONG DIE DIAMOND 1-1/4" W X 7/16" T X 3-7/8" L
MCC	13-0008-314-D	TONG DIE DIAMOND 1-1/4" W X 1/2" T X 3-7/8" L
MCC	13-0009-314-D	TONG DIE DIAMOND 1-1/4" W X 9/16" T X 3-7/8" L
MCC	13-0010-314-D	TONG DIE DIAMOND 1-1/4" W X
MCC	13-0011-314-D	TONG DIE DIAMOND 1-1/4" W X 11/16" T X 3-7/8" L
MCC	13-0012-314-D	TONG DIE DIAMOND 1-1/4" W X 3/4" T X 3-7/8" L
MCC	13-0013-314-D	TONG DIE DIAMOND 1-1/4" W X 13/16" T X 3-7/8" L
MCC	13-0014-314-D	TONG DIE DIAMOND 1-1/4" W X 7/8" T X 3-7/8" L
MCC	13-0016-314-D	TONG DIE DIAMOND 1-1/4" W X 1" T X 3-7/8" L

MAS-Pro Oilfield Supply, Division of 1223492 Alberta LTD.
 Red Deer - 4841-78st, T4P 1S9, 403-341-5959
 GP/Clairmont - #101, 6902-98st, T8X 5A1, 780-832-9899
 Website : www.mas-prosupply.com

TONG BACK UP

<u>Line Abbrev</u>	<u>Part Number</u>	<u>MAS-Pro Oilfield Supply DESCRIPTION</u>
TNG	TBAAC	TONG BACK UP AIR CYLINDER 58-93 ROUND
TNG	TBACRK	TONG BACK UP AIR CYLINDER 58-93 ROUND REPAIR KIT
TNG	105-WABCO	TONG BACK UP AIR CYLINDER 58-93 SQUARE WABCO
TNG	TBAP	TONG BACK UP ARM PIN
TNG	TBCP	TONG BACK UP CAROUSEL PINS #147-6 (BU506-A)
TNG	TBC58-93	TONG BACK-UP CYLINDER 58-93

TONG BLOCK

<u>Line Abbrev</u>	<u>Part Number</u>	<u>MAS-Pro Oilfield Supply DESCRIPTION</u>
TNG	TB147-14	TONG BLK 3-1/16" - 4-1/2" BU #147-14, BU503 (BACK UP)
TNG	TB50-22-7	TONG BLOCK 2-3/8" - 2-7/8" #50-22-7, J503 (TOP)
TNG	TB147-7	TONG BLOCK 2-3/8" - 3-3/4" #147-7, BU502 (BACK UP)
TNG	J505-2	TONG BLOCK 2-3/8" - 5" #J505-2 (TOP) SINGLE
TNG	TB50-22-8	TONG BLOCK 3-1/2" - 4-1/2" #50-22-8 (TOP)
TNG	TB50-22-12	TONG BLOCK 4" - 5" #50-22-12 (TOP)
TNG	TB147-10	TONG BLOCK 4-1/2" - 5" #147-10 (BACK UP)
TNG	TBBB	TONG BLOCK BACK-UP BOLTS SHORT N506#50-49-2
TNG	TBNK	TONG BLOCK NUT KNURLED
TNG	TBN	TONG BLOCK NUTS #N503
TNG	TBRS	TONG BLOCK RETAINING SPRING #Z6-75
TNG	TBSS	TONG BLOCK SET SCREWS 4-1/2" OPEN FACE TO
TNG	TBTB	TONG BLOCK TOP BOLTS LONG N507 #11-683

TONG CH58-2

<u>Line Abbrev</u>	<u>Part Number</u>	<u>MAS-Pro Oilfield Supply DESCRIPTION</u>
TNG	CH-58-2(2-3/8-2-7/8)	CH58-2 TONG 2-3/8" - 2-7/8" #58615-200-100
TNG	CH-58-2(3-1/2)	CH58-2 TONG 2-3/8" - 3-1/2" BACKUP #
TNG	CH-58-2(2-7/8-3-1/2)	CH58-2 TONG 2-7/8" - 3-1/2" #58625-100
TNG	CH-58-2(4-5)	CH58-2 TONG 4" - 5"
TNG	CH-58-2AP	CH58-2 TONG ADAPTER PLATE #58184
TNG	CH-58-2	CH58-2 TONG AIR BACK-UP #58000-200-50
TNG	CH-58-2RGA	CH58-2 TONG RING GUIDE ASSY#58404-200

TONG 54-93

<u>Line Abbrev</u>	<u>Part Number</u>	<u>MAS-Pro Oilfield Supply DESCRIPTION</u>
TNG	54-93T	54-93 TONG C/W AIR BACK-UPS AND RAISING CYLI
TNG	54-93TA	54-93 TONG TORQ ARM #50-36
TNG	878-6RK	54-93R VALVE BANK REPAIR KIT#878-6

MAS-Pro Oilfield Supply, Division of 1223492 Alberta LTD.
Red Deer - 4841-78st, T4P 1S1N, 403-341-5959
GP/Clairmont - #101, 6902-98st, T8X 5A1, 780-832-9899
Website : www.mas-prosupply.com

TONG 58-93

<u>Line Abbrev</u>	<u>Part Number</u>	MAS-Pro Oilfield Supply <u>DESCRIPTION</u>
TNG	TAS58-93	TONG ADJUSTMENT SCREW 58-93#183-9
TNG	TB58-93	TONG BUTTON FOR 58-93
TNG	TC58-93OEM	TONG CAROUSEL FOR 58-93 #50-15-2 OEM
TNG	TCCV58-93	TONG CYLINDER CONTROL VALVE FOR 58-93 (#V523)
TNG	58-93RG	58-93R GILL TONG C/W AIR BACK-UP
TNG	58-93R11-966	58-93R TONG HYDRAULIC FITTING#11-966
TNG	V521	QUAD SEAL FOR 58-93
TNG	58-93R	58-93R TONG C/W RAISING RAM AIR BACK-UP
TNG	58-93RRR	58-93R TONG RAISING RAM
TNG	TTAC	TONG TORQUE ADJUSTMENT CARTRIDGE 58-93#183-5-NS-
TNG	58-93VBRK	58-93 VALVE BANK REPAIR KIT (SEALS ONLY)

TONG DRAG

<u>Line Abbrev</u>	<u>Part Number</u>	MAS-Pro Oilfield Supply <u>DESCRIPTION</u>
TNG	50-8-2	TONG DRAG PIN TOP #D508 (50-8-2)
TNG	50-58	TONG DRAG PLUG #50-58 LONG
TNG	50-58-1	TONG DRAG PLUG #50-58-1 SHORT
TNG	TDRP	TONG DRAG RING PIN #50-8-2
TNG	11-147	DRAG PLUG SET SCREW 1" X 1"

TONG HOSE

<u>Line Abbrev</u>	<u>Part Number</u>	MAS-Pro Oilfield Supply <u>DESCRIPTION</u>
HOS	TH3/8X6	TONG HOSE 3/8" X 6' FEMALE X MALE NPT
HOS	H3/8X66	H502 HOSE FOR RAISING POWER TONG RAM
HOS	TH1X8	TONG HOSE 1" X 8' 3000#C/W MNPT SWIVELSS ON EACH
HOS	TH1X12	TONG HOSE 1" X 12' 3000#C/W MNPT SWIVELSS ON EACH
HOS	TH1X15	TONG HOSE 1" X 15' 3000#C/W MNPT SWIVELSS ON EACH
HOS	TH1X16	TONG HOSE 1" X 16' 3000#C/W MNPT SWIVELSS ON EACH
HOS	TH1X6M	TONG HOSE 1" X 6M 3000#C/W MNPT SWIVELSS ON EACH
HOS	TH1X27	TONG HOSE 1" X 27' 4000#C/W MNPT SWIVELSS ON EACH
HOS	TH1-1/4X16	TONG HOSE 1-1/4" X 16' 3000# C/W MNPT SWIVELSS ON EACH
TNG	TH58-93	TONG HOSE FOR GAUGE 58-93

TONG LATCH/ LEVER

<u>Line Abbrev</u>	<u>Part Number</u>	MAS-Pro Oilfield Supply <u>DESCRIPTION</u>
TNG	Z6-123	TONG DOOR SPRING 4-1/2" OPEN FACE
TNG	TLSWW	TONG LATCH SPRING WEB WILSON TYPE C/D#4210
TNG	TLB	TONG LEAVER BOLT
TNG	TLRC	TONG LEAVER CAPS/ENDS #867-31 KNOB
TNG	TLST	TONG LEAVER SCREW TYPE
TNG	TLR	TONG LEVER/HANDLE #867-22

MAS-Pro Oilfield Supply, Division of 1223492 Alberta LTD.
Red Deer - 4841-78st, T4P 1S1N, 403-341-5959
GP/Clairmont - #101, 6902-98st, T8X 5A1, 780-832-9899
Website : www.mas-prosupply.com

TONG SPRING

<u>Line Abbrev</u>	<u>Part Number</u>	<u>MAS-Pro Oilfield Supply DESCRIPTION</u>
TNG	27897	ROD TONG JAW SPRING
TNG	50-57	TONG SPRING #50-57 LONG
TNG	50-57-1	TONG SPRING #50-57-1 SHORT
TNG	TS58-93	TONG SPRING FOR 58-93
TNG	TSWW4510	#4510 AAX WEB WILSON TONGS SPRINGS

TONG VALVE

<u>Line Abbrev</u>	<u>Part Number</u>	<u>MAS-Pro Oilfield Supply DESCRIPTION</u>
TNG	V522	TONG VALVE BANK QUAD RING
TNG	TONGVAC	TONG VALVE CAPS #V505 (867-5)
TNG	M04824685	TONG VALVE PUSH-PULL FOR BACKUPS #195-6,
TNG	V506	TONG VALVE REPAIR KIT

Z6 PARTS

<u>Line Abbrev</u>	<u>Part Number</u>	<u>MAS-Pro Oilfield Supply DESCRIPTION</u>
TNG	Z6-28	Z6-28 SPRINGS
TNG	Z6-46	Z6-51 BRASS WEAR PLATE
TNG	Z6-46S	Z6-51 BRASS WEAR PLATE SCREWS
TNG	Z6-51	Z6-51 RESET KNOB SHAFT
TNG	Z6-8	Z6-8 HEX SOCKET HEAD CAP SCREW

MAS-Pro Oilfield Supply, Division of 1223492 Alberta LTD.
Red Deer - 4841-78st, T4P 1S9, 403-341-5959
GP/Clairmont - #101, 6902-98st, T8X 5A1, 780-832-9899
Website : www.mas-prosupply.com

ASSORTED TONG PARTS

<u>Line Abbrev</u>	<u>Part Number</u>	<u>MAS-Pro Oilfield Supply DESCRIPTION</u>
FMC	3205399	1" STYLE 50 SILVER 6K THRD FNPT
FMC	3207737	1-1/4" STYLE 50 SILVER 6K THRD FNPT
TNG	180-60	180-60 INSERT (BJF-5440) 2-3/8" X 3-1/2" SLINNED BA
TNG	Z6-81	ALLEN SCREWS (STOP SCREW) FOR 4-1/2" - 5-1/2" ROD TONG
TNG	HRT	BACK UP HOUSING RETURN SPRING #4-112
SLP	FBUJ	BACK-UP JAW 5" - 6-1/16" 147-8
TNG	HPWW	HING PIN WEB WILSON TYPE C(MANUAL TONG)
TNG	HP16KT	HINGE PIN #N16KT12 (KING 16KT MANUAL TONGS)
TNG	MOR0130040/V	PUSH-PULL VALVE O-RING
TNG	RRRF	RAISING RAM REDUCER FITTING (45 DEGREE)
TNG	27722	ROD TONG JAW PIN
TNG	RTM5	ROD TONG MARK 4
TNG	FTTD	SOLID JSW DIE 5" - 6-1/16" 58-314
TNG	TMXMXF	TEE (FOR TONGS) MXMXF #203238
TNG	147-20	TONG BACK-UP SWIVEL
TNG	TBRP	TONG BLOCK RETAINING PIN #Z6-74
TNG	TC11-148	TONG CLEVIS #11-148
TNG	I500-1	TONG GAUGE 2000# (58-93)
TNG	TNCC	TONG NO CATCH COLLAR
TNG	TPBS	TONG PULL BACK STRAP (RUBBER ROUGHNECK)
TNG	TRRK	TONG RAISING RAM KIT #123-20
TNG	TRRRV	TONG RAISING RAM RELIEF VALVE (NUT TYPE PETCOCK) #3
TNG	TONGR	TONG REGULATOR
TNG	V507	TONG RELIEF VALVE (DENSION)
TNG	TONGSTRAP	TONG STRAP 1" X 4"4 W1 EYES
TNG	TSP3-1/2	TONG STRIPPER PLATE 3-1/2"
TNG	TSP3-1/2H	TONG STRIPPER PLATE 3-1/2" HAND
TNG	TTBOS	TONG TABLE BOTTOM (SAME AS TOP SEAL) OIL SEAL#58-47-
TNG	TTBOSP	TONG TABLE BOTTOM OIL SEAL PROTECTOR #58-100
TNG	TTG6-1/2	TONG TORQUE GAUGE GLASS 6-1/2"
TNG	TRT10-607	TUBING FITTING FOR TONGS #10-607
TNG	TRT11-1572	TUBING RETURN TEE FOR TONGS#11-1572
TNG	TRT	TUBING RETURN TEE FOR TONGS#76-166
TNG	TB3/8X6EXE	TURN BUCKLE 3/8" X 6" EYE X EYE #EE3/8X6
NIP	N3/8X40XH	NIPPLE 3/8" X 40" XH (FOR TONG RAM)

MAS-Pro Oilfield Supply, Division of 1223492 Alberta LTD.
Red Deer - 4841-78st, T4P 1S1N, 403-341-5959
GP/Clairmont - #101, 6902-98st, T8X 5A1, 780-832-9899
Website : www.mas-prosupply.com

NOTES ON TONG PARTS

MAS-Pro

Oilfield Supply

A division of 1223492 Alberta Ltd.

MAS-Pro Oilfield Supply, Division of 1223492 Alberta LTD.
Red Deer - 4841-78st, T4P 1S1N, 403-341-5959
GP/Clairmont - #101, 6902-98st, T8X 5A1, 780-832-9899
Website : www.mas-prosupply.com