

SLIPS & PARTS

CAVIN TB

<u>Line Abbrev</u>	<u>Part Number</u>	<u>MAS-Pro Oilfield Supply DESCRIPTION</u>
SLP	TB103	CAVIN #TB103 ARM
SLP	TB104	CAVIN #TB104 LEFT HAND SHAFT
SLP	TB105	CAVIN #TB105 LEFT HAND SHAFT
SLP	TB106	CAVIN #TB106 LIFTING ARM C/W SET SCREW
SLP	YPRTB107	CAVIN #TB107 YOKE/PISTON ROD
SLP	TB113	CAVIN #TB113 GUARD SCREWS
SLP	NGTB114	CAVIN #TB114 NUT F/GATE
SLP	BGTB115	CAVIN #TB115 BOLT F/GATE TYPE B SPIDER
SLP	BLATB116	CAVIN #TB116 BOLT F/ LIFTING ARM TYPE B SPIDER
SLP	TB119	CAVIN #TB-119 TAPER PIN
SLP	TB122	CAVIN #TB-122 RETAINER RINGS
SLP	BTB124	CAVIN #TB124 BUSHING
SLP	SLTB135	CAVIN #TB135 SAFETY LATCH
SLP	BSLTB136	CAVIN #TB136 BOLT F/SAFETY LATCH
SLP	TC136	CAVIN #TB136 BOLT F/SAFETY LATCH
SLP	TB140N	CAVIN #TB-140-N C AIR CYL. W/ YOKE
SLP	TB140NRK	CAVIN #TB-140-N C AIR CYL.REPAIR KIT (SEALS ONLY)

SLIP DIES B

<u>Line Abbrev</u>	<u>Part Number</u>	<u>MAS-Pro Oilfield Supply DESCRIPTION</u>
SLP	SD2-1/16CAVINB	SLIP DIES 2-1/16" CAVINS B
SLP	SD2-3/8CAVINB	SLIP DIES 2-3/8" CAVINS B
SLP	SD2-7/8CAVINB	SLIP DIES 2-7/8" CAVIN B

CAVIN TB JOBBER

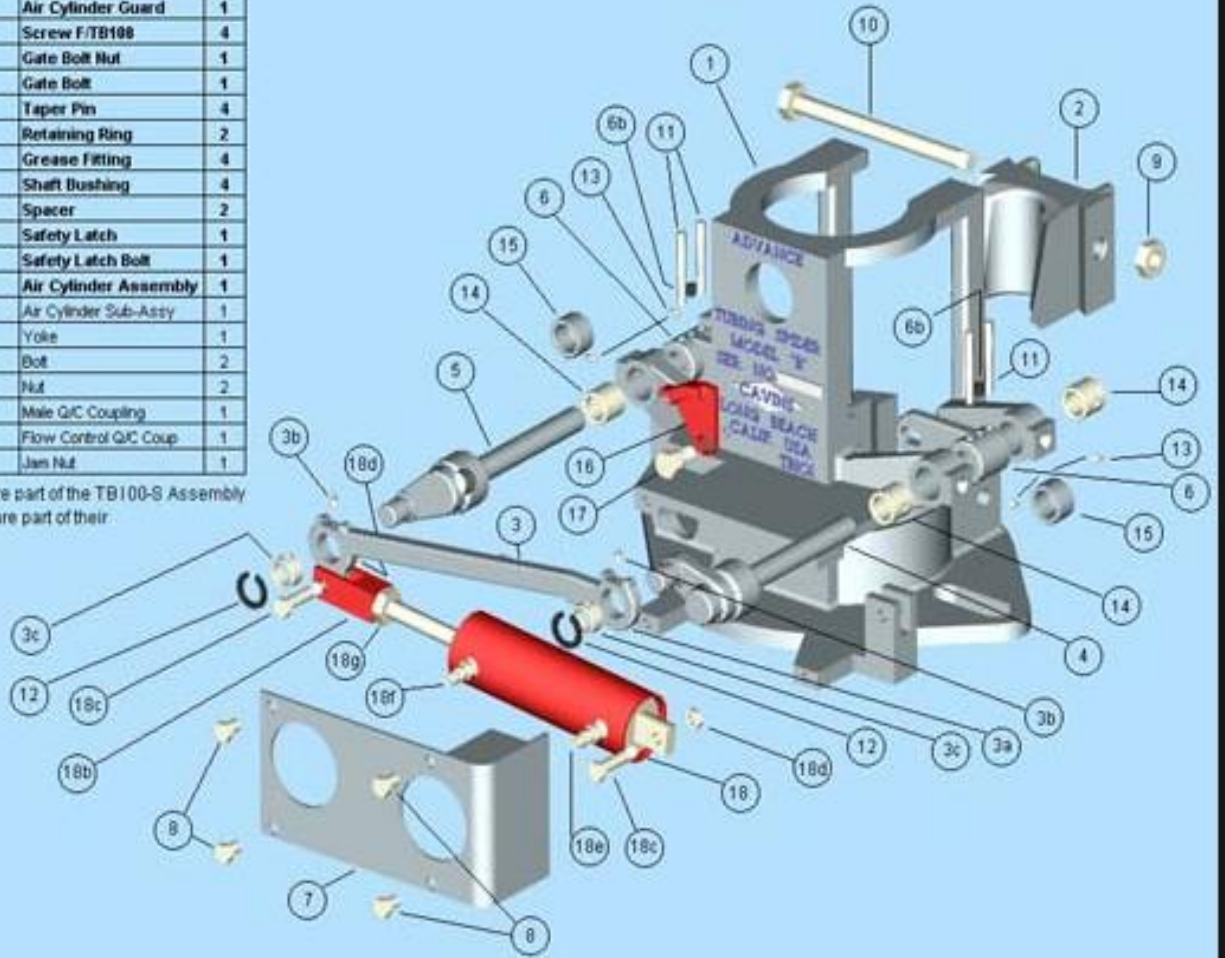
<u>Line Abbrev</u>	<u>Part Number</u>	<u>MAS-Pro Oilfield Supply DESCRIPTION</u>
SLP	TB103J	CAVIN #TB103 ARM J
SLP	TB104J	CAVIN #TB104 J LEFT HAND SHAFT
SLP	TB105J	CAVIN #TB105 J LEFT HAND SHAFT
SLP	TB106J	CAVIN #TB106J LIFTING ARM C/W SET SCREW J
SLP	TB119J	CAVIN #TB-119 TAPER PIN J
SLP	TB122J	CAVIN #TB-122 RETAINER RINGS J
SLP	TB122EB	CAVIN #TB-122 RETAINER RINGS(ED'S FAB)

MAS-Pro Oilfield Supply, Division of 1223492 Alberta LTD.
Red Deer - 4841-78st, T4P 1S9, 403-341-5959
GP/Clairmont - #101, 6902-98st, T8X 5A1, 780-832-9899
Website : www.mas-prosupply.com

ITEM	LEVEL	PART NUMBER	DESCRIPTION	QTY
1	*	TB101	Spider Body	1
2	*	TB102-SF	Semi-Finished Gate	1
3	*	TB103	Link Assembly	1
3a	**	TB103-1	Link	1
3b	**	TB123	Grease Fitting	2
3c	**	TB125	Link Bushing	2
4	*	TB104	Left Hand Shaft	1
5	*	TB105	Right Hand Shaft	1
6	*	TB106	Lift Arm Assembly	2
6a	**	TB106-1	Lift Arm	1
6b	**	TB118	Set Screw	1
7	*	TB108	Air Cylinder Guard	1
8	*	TB113	Screw F/TB108	4
9	*	TB114	Gate Bolt Nut	1
10	*	TB115	Gate Bolt	1
11	*	TB119	Taper Pin	4
12	*	TB122	Retaining Ring	2
13	*	TB123	Grease Fitting	4
14	*	TB124	Shaft Bushing	4
15	*	TB126	Spacer	2
16	*	TB135	Safety Latch	1
17	*	TB136	Safety Latch Bolt	1
18	*	TB140-N	Air Cylinder Assembly	1
18a	**	TB140-1-N	Air Cylinder Sub-Assy	1
18b	**	TB107	Yoke	1
18c	**	TB110	Bolt	2
18d	**	TB112	Nut	2
18e	**	TB126	Male Q/C Coupling	1
18f	**	TB130	Flow Control Q/C Coup	1
18g	**	TB148	Jam Nut	1

All level ** components are part of the TB100-S Assembly
 All level *** components are part of their respective assemblies

CAVINS "ADVANCE" SPIDER MODEL "B" AIR OPERATED TB100-S



MAS-Pro Oilfield Supply, Division of 1223492 Alberta LTD.
 Red Deer - 4841-78st, T4P 1S1N, 403-341-5959
 GP/Clairmont - #101, 6902-98st, T8X 5A1, 780-832-9899
 Website : www.mas-prosupply.com

CAVIN TC & PARTS

<u>Line Abbrev</u>	<u>Part Number</u>	MAS-Pro Oilfield Supply <u>DESCRIPTION</u>
SLP	TC102-SF	CAVIN GATE #TC102-SF
SLP	TC103	CAVIN #TC103 ARM
SLP	TC104	CAVIN #TC104 LEFT HAND SHAFT
SLP	TC105	CAVIN #TC105 RIGHT HAND SHAFT
SLP	TC106SS	SET SCREW FOR CAVIN #TC106 LIFTING ARM
SLP	TC106	CAVIN #TC106 LIFTING ARM C/W SET SCREW
SLP	TC114	CAVIN #TC114 NUT FOR GATE
SLP	TC115	CAVIN #TC115 BOLT FOR GATE
SLP	TC124	CAVIN #TC124 BUSHING
SLP	SPSTC126	CAVIN #TC126 SPACER F/ SHAFT TYPE C
SLP	TC135SL	CAVIN #TC135 SAFETY LATCH
CNR	TC-135	SAFETY LATCH FOR TYPE C SLIPS CAVINS #TC-135
SLP	CSATC150	CAVIN #TC150-R-5.500 SLIP ASS'Y
SLP	TC150-R-5.500	TC150-R-5.500 (5-1/2") CARRIER
SLP	CSATC600	CAVIN #TC600-FCR-1 SLIP ASS'Y 1.315" - 2-1/16"
SLP	TC600FCR-1	TC-600-FCR-1 (1.315" - 2-1/16") CARRIER
SLP	TC600FCR	TC-600-FCR (2-3/8" - 3-1/2") CARRIER
SLP	TC600FCR-3	TC-600-FCR-3 (4-1/2") CARRIER
SLP	TC601	TC-601 SLIP RETAINING PIN (FOR DIES)
SLP	TCC80	CAVIN TYPE C 80 TON SLIP
SLP	TCC125GP	CAVIN TYPE C 125 TON SLIP GATE PINS
SLP	TCC125G	CAVIN TYPE C 125 TON SLIP GATE W/PINS
SLP	TCC125B	CAVIN TYPE C 125 TON SLIP BODY
SLP	TCC125OEM	CAVIN TYPE C 125 TON SLIP OEM
SLP	SSP	SLIPS STRIPPING PLATE C

CAVIN TC JOBBER

<u>Line Abbrev</u>	<u>Part Number</u>	MAS-Pro Oilfield Supply <u>DESCRIPTION</u>
SLP	TC103BJ	CAVIN #TC103 ARM BUSHING J
SLP	TC103J	CAVIN #TC103 ARM J
SLP	TC104J	CAVIN #TC104 LEFT HAND SHAFT J
SLP	TC105J	CAVIN #TC105 RIGHT HAND SHAFT J
SLP	TC106J	CAVIN #TC106 LIFTING ARM C/W SET SCREW J
SLP	TC108J	CAVIN #TC108 GUARD J
SLP	TC122J	CAVIN #TC-122 RETAINER RINGS J
SLP	TC124J	CAVIN #TC124 BUSHING J (FOR TC104/TC10
SLP	TC124EF	CAVIN #TC124 BUSHING(ED'S FAB)
SLP	TC125J	CAVIN #TC125 BUSHING J (FOR TC103)
SLP	TCC125	CAVIN TYPE C 125 TON SLIP J
SLP	EFSA	ED'S FAB SLIP ARM #4807-003
SLP	EFSE	ED'S FAB SLIP EARS
SLP	TC600FCRJ	TC-600-FCR (2-3/8" - 3-1/2")CARRIER J

MAS-Pro Oilfield Supply, Division of 1223492 Alberta LTD.
Red Deer - 4841-78st, T4P 1S9, 403-341-5959
GP/Clairmont - #101, 6902-98st, T8X 5A1, 780-832-9899
Website : www.mas-prosupply.com

TF 600 / 650 / 651

<u>Line Abbrev</u>	<u>Part Number</u>	MAS-Pro Oilfield Supply <u>DESCRIPTION</u>
SLP	TF600-FCR-3.500	TF-600-FCR-3.500" (3-1/2") CA
SLP	TF600-FCR-4.500J	TF-600-FCR-4.500" (4-1/2") CA
SLP	TF600-FCR-5.500	TF-600-FCR-5.500" (4" TO 5-1/2") CARRIER CAVINS
SLP	TF600-FCR-7.625	TF600-FCR-7.625" (7.625") CAR
SLP	TF650-3.500	TF650-3.50" 3-1/2" CAVINS INSERTS (SET OF 4)
SLP	TF650-5.500	TF650-5.50" 5-1/2" CAVINS INSERTS (SET OF 4)
SLP	FCIIPM	TF650-5.500"
SLP	FCIIPMS	TF651-3.500" X 2.375"
SLP	TF651-3.500X2.375	TF651-3.500" X 2.375" 2-3/8" CAVINS INSERTS (SET OF 4)
SLP	TF651-3.500X2.875	TF651-3.500" X 2.375" 2-7/8" CAVINS INSERTS (SET OF 4)
SLP	FCIIP	TF651-3.500" X 2.875"
SLP	TF651-5.500X4.500	TF651-5.500" X 4.500" 4-1/2" CAVINS INSERTS (SET OF 4)
SLP	TF651-7.625X7.00	TF651-7.625" X 7.00" 7" CAVINS INSERTS (SET OF 4)

SLIP DIES C & PARTS

<u>Line Abbrev</u>	<u>Part Number</u>	MAS-Pro Oilfield Supply <u>DESCRIPTION</u>
SLP	SD1.90CAVIN	SLIP DIES 1.66" X 2-1/16" CAVINS C
SLP	SD2-1/16CAVIN	SLIP DIES 2-1/16" CAVINS
SLP	CC312238	SLIP DIES 2-3/8" C RD
SLP	SD2-3/8CAVIN	SLIP DIES 2-3/8" CAVINS C (60.3MM)
MCC	CC-0308-0206-G	SLIP DIES 2-3/8" CAVINS C BI-DIRECTIONAL
SLP	SD2-7/8CAVIN	SLIP DIES 2-7/8" CAVIN C (73MM)
SLP	SD3-1/2CAVIN	SLIP DIES 3-1/2" CAVIN C (88.9MM)
SLP	SD3-1/8CAVIN	SLIP DIES 3-1/8" CAVIN C
SLP	SD4CAVIN	SLIP DIES 4" CAVIN C
SLP	SD4	SLIP DIES 4" CAVIN C J
SLP	SD4-1/2CAVIN	SLIP DIES 4-1/2" CAVIN C (114.3MM)
SLP	THC	CAVIN TYPE C TONG HANGER

SLIP DIES GATOR GRIT

<u>Line Abbrev</u>	<u>Part Number</u>	MAS-Pro Oilfield Supply <u>DESCRIPTION</u>
SLP	CC312238G	SLIP DIES 2-3/8" C GATOR GRIT
SLP	CC312278G	SLIP DIES 2-7/8" C GATOR GRIT

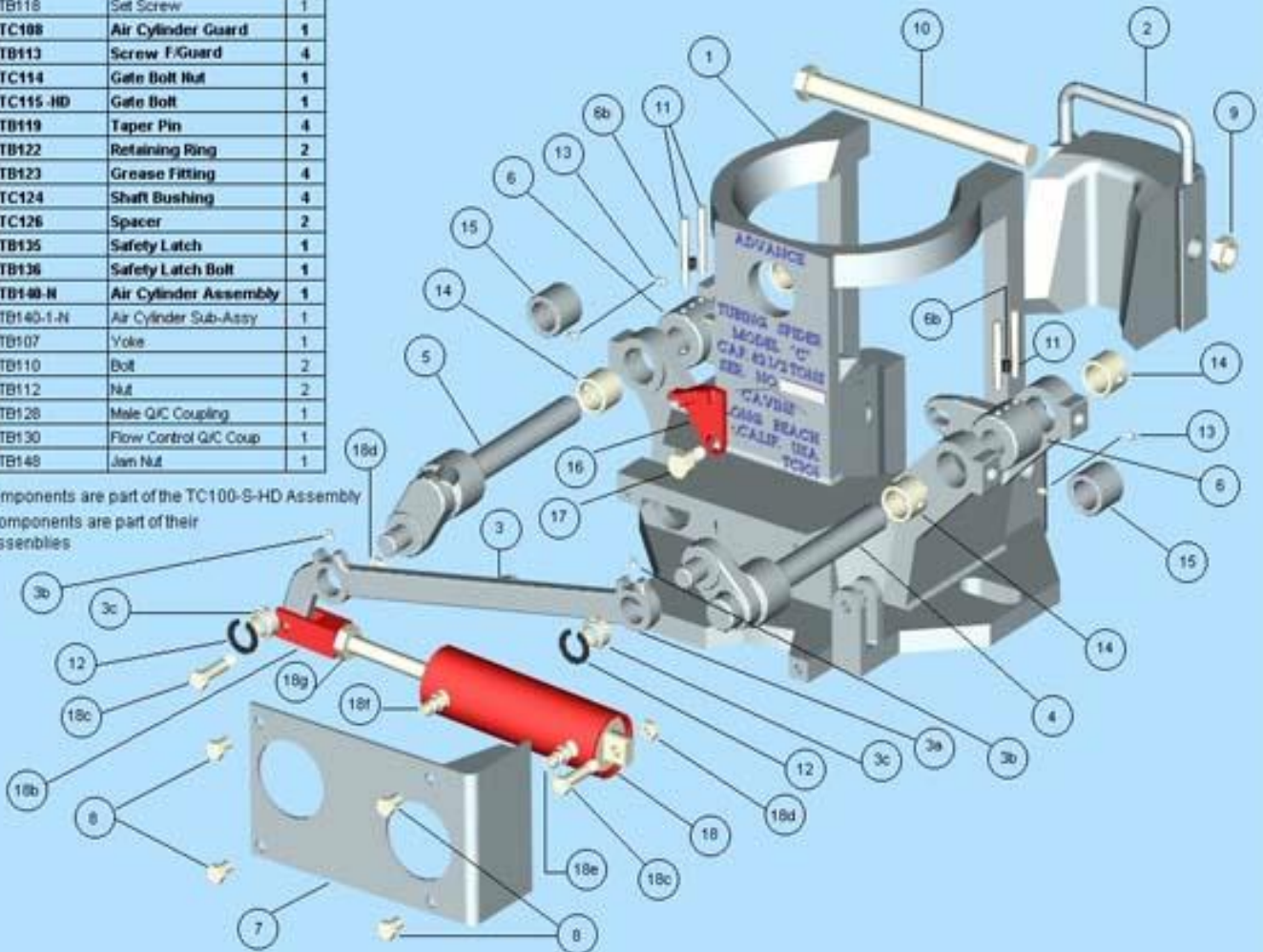
MAS-Pro Oilfield Supply, Division of 1223492 Alberta LTD.
 Red Deer - 4841-78st, T4P 15N, 403-341-5959
 GP/Clairmont - #101, 6902-98st, T8X 5A1, 780-832-9899
 Website : www.mas-prosupply.com

ITEM	LEVEL	PART NUMBER	DESCRIPTION	QTY
1	*	TC101-HD	Spider Body	1
2	*	TC102-SF	Semi-Finished Gate	1
3	*	TC103	Link Assembly	1
3a	**	TC103-1	Link	1
3b	**	TB123	Grease Fitting	2
3c	**	TB125	Link Bushing	2
4	*	TC104	Left Hand Shaft	1
5	*	TC105	Right Hand Shaft	1
6	*	TC106	Lift Arm Assembly	2
6a	**	TC106-1	Lift Arm	1
6b	**	TB118	Set Screw	1
7	*	TC108	Air Cylinder Guard	1
8	*	TB113	Screw F/Guard	4
9	*	TC114	Gate Bolt Nut	1
10	*	TC115-HD	Gate Bolt	1
11	*	TB119	Taper Pin	4
12	*	TB122	Retaining Ring	2
13	*	TB123	Grease Fitting	4
14	*	TC124	Shaft Bushing	4
15	*	TC126	Spacer	2
16	*	TB135	Safety Latch	1
17	*	TB136	Safety Latch Bolt	1
18	*	TB140-N	Air Cylinder Assembly	1
18a	**	TB140-1-N	Air Cylinder Sub-Assy	1
18b	**	TB107	Yoke	1
18c	**	TB110	Bolt	2
18d	**	TB112	Nut	2
18e	**	TB128	Male Q/C Coupling	1
18f	**	TB130	Flow Control Q/C Coup	1
18g	**	TB148	Jam Nut	1

CAVINS "ADVANCE" SPIDER
MODEL "C-HD" AIR OPERATED
TC100-S-HD



All level ** components are part of the TC100-S-HD Assembly
All level *** components are part of their respective assemblies



MAS-Pro Oilfield Supply, Division of 1223492 Alberta LTD.
Red Deer - 4841-78st, T4P 1S1N, 403-341-5959
GP/Clairmont - #101, 6902-98st, T8X 5A1, 780-832-9899
Website : www.mas-prosupply.com

SLIP DIES MAVERICK

<u>Line Abbrev</u>	<u>Part Number</u>	<u>MAS-Pro Oilfield Supply DESCRIPTION</u>
SLP	BJV9000	SLIP DIES 2-3/8" MAVERICK (SET)
SLP	BJV9010	SLIP DIES 3-1/2" MAVERICK (SET)

SLIP DIES OIL COUNTRY

<u>Line Abbrev</u>	<u>Part Number</u>	<u>MAS-Pro Oilfield Supply DESCRIPTION</u>
SLP	SD1.90C	SLIP DIES 1.90" X 3-1/2" OIL COUNTRY
SLP	SD2116OC	SLIP DIES 2-1/16" X 3-1/2" OIL COUNTRY
SLP	SD2-3/8OC	SLIP DIES 2-3/8" C OIL COUNTRY #65652-1
SLP	SD2-7/8 OC	SLIP DIES 2-7/8" OIL COUNTRY
SLP	SD3-1/2 OC	SLIP DIES 3-1/2" C OIL COUNTRY #65652-3

SHALLOW SLIP DIES

<u>Line Abbrev</u>	<u>Part Number</u>	<u>MAS-Pro Oilfield Supply DESCRIPTION</u>
SLP	SWSI1.6X2-7/8	SLIP DIES 1.66" X 2-7/8" SHALLOW WELL (SET OF 4)
SLP	SWSI1.9X2-7/8	SLIP DIES 1.90" X 2-7/8" SHALLOW WELL (SET OF 4)
SLP	SWSI2-1/16X2-7/8	SLIP DIES 2-1/16" X 2-7/8" SHALLOW WELL (SET OF 4)
SLP	SWSI2-3/8X2-7/8	SLIP DIES 2-3/8" X 2-7/8" SHALLOW WELL (SET OF 4)
SLP	SWSI2-3/8X3-1/2	SLIP DIES 2-3/8" X 3-1/2" SHALLOW WELL (SET OF 4)
SLP	SWSI2-7/8X3-1/2	SLIP DIES 2-7/8" X 3-1/2" SHALLOW WELL (SET OF 4)
SLP	SWSI3-1/2	SLIP DIES 3-1/2" X 3-1/2" SHALLOW WELL (SET OF 4)

SLIPS SHALLOW WELL

<u>Line Abbrev</u>	<u>Part Number</u>	<u>MAS-Pro Oilfield Supply DESCRIPTION</u>
SLP	SWSC	SHALLOW WELL SLIPS COMPLETE
SLP	SWSCR	SHALLOW WELL SLIPS COMPLETE RENTAL
SLP	SWSR	SHALLOW WELL SLIPS ROCKER #MSN0075
SLP	SWSRP	SHALLOW WELL SLIPS ROCKER PIN #MSN0070
SLP	SWSRS	SHALLOW WELL SLIPS ROCKER SPRING #MSN0080
SLP	SWSUB	SHALLOW WELL SLIPS U-BOLT

MAS-Pro Oilfield Supply, Division of 1223492 Alberta LTD.
 Red Deer - 4841-78st, T4P 15N, 403-341-5959
 GP/Clairmont - #101, 6902-98st, T8X 5A1, 780-832-9899
 Website : www.mas-prosupply.com

BJ 50T SLIP DIES

<u>Line Abbrev</u>	<u>Part Number</u>	<u>MAS-Pro Oilfield Supply DESCRIPTION</u>
SLP	SD19278BJ50T	SLIP DIES 1.9" X 2-7/8" BJ 50T
SLP	SD2-3/8BJ50RB	SLIP DIES 2-3/8" BJ 50T ROUND BACK
SLP	SD2-7/8BJ50RB	SLIP DIES 2-7/8" BJ 50T ROUND BACK
SLP	SD3-1/2BJ50RB	SLIP DIES 3-1/2" BJ 50T ROUND BACK
SLP	SD2-3/8BJ50	SLIP DIES 2-3/8" BJ 50T FLAT BACK
SLP	SD2-7/8BJ50	SLIP DIES 2-7/8" BJ 50T FLAT BACK
SLP	SD3-1/2BJ50	SLIP DIES 3-1/2" BJ 50T FLAT BACK

BJ 50T PARTS

<u>Line Abbrev</u>	<u>Part Number</u>	<u>MAS-Pro Oilfield Supply DESCRIPTION</u>
SLP	BJ50AC	BJ 50T AIR CYLINDER
SLP	BJ50IR	BJ 50T INSERT RETAINER #17194
SLP	BJ50LLA	BJ 50T LEFT LIFT ARM #29677
SLP	BJ50LP	BJ 50T LIFT PIN #940584-66
SLP	BJ50N	BJ 50T NUT #941442-5
SLP	BJ50RCP	BJ 50T RETAINER COTTER PIN #939672-18
SLP	BJ50RLA	BJ 50T RIGHT LIFT ARM #29678
SLP	BJ50SB	BJ 50T SHOULDER BOLT #940585-72
SLP	BJ50S	BJ 50T SLIPS COMPLETE
SLP	BJ50W11	BJ 50T WASHER #939370-11
SLP	BJ50W13	BJ 50T WASHER #939370-13

DU SLIP DIES & PARTS

<u>Line Abbrev</u>	<u>Part Number</u>	<u>MAS-Pro Oilfield Supply DESCRIPTION</u>
MCC	DU040804080	DU LONG DIE 4-1/2" X 4-1/2"
MCC	DU050805080	DU LONG DIE 5-1/2" X 5-1/2"
MCC	DU070007000	DU LONG DIE 7" X 7"
SLP	DULFHP	DU LONG FRONT HANDLE PIN #56410-18-S
SLP	DULRHPI	DU LONG REAR HANDLE PIN #56412-22-S
SLP	DULRP	DU LONG RETAINER PINS #03-104
SLP	DULRHP	DU LONG/REGULAR HINGE PIN #03-105
SLP	DURRP	DU REGULAR RETAINER PINS #03-104 REG
SLP	SGDUL	SLIP HANDLE DU LONG (3 PER SET)
SLP	SGDULF	SLIP HANDLE DU LONG FRONT
SLP	SGDULR	SLIP HANDLE DU LONG REAR

MAS-Pro Oilfield Supply, Division of 1223492 Alberta LTD.
Red Deer - 4841-78st, T4P 1S1N, 403-341-5959
GP/Clairmont - #101, 6902-98st, T8X 5A1, 780-832-9899
Website : www.mas-prosupply.com

HYC SLIP DIES & PARTS

<u>Line Abbrev</u>	<u>Part Number</u>	<u>MAS-Pro Oilfield Supply DESCRIPTION</u>
SLP	HYCB	HYC ELEVATOR BOLT
SLP	HYCS	HYC ELEVATOR SPRING
SLP	HYCSB	HYC SEGMENT BOLT #E24076
SLP	HYCSD4-1/2	HYC SLIP DIES 4-1/2" #16408 #JJ-0408-0408-0
SLP	HYCSD5-1/2X4-1/2	HYC SLIP DIES 5-1/2" X 4-1/2" #24785#JJ-050
SLP	HYCSD5-1/2X5	HYC SLIP DIES 5-1/2" X 5" #24783#JJ-0508-05
SLP	HYCSD7	HYC SLIP DIES 7" #16407 #JJ-0700-0700-0

TYPE "E" SLIP DIES & PARTS WEATHERFORD

<u>Line Abbrev</u>	<u>Part Number</u>	<u>MAS-Pro Oilfield Supply DESCRIPTION</u>
SLP	TES175	WEATHERFORD TYPE E 175 TON SLIP
SLP	TES1757C	WEATHERFORD TYPE E 175 TON SLIP BODY#66624-100(5-1/
SLP	TES1757CSD7	WEATHERFORD TYPE E 175 TON SLIP DIES 7

ASSORTED SLIPS / DIES / PARTS

<u>Line Abbrev</u>	<u>Part Number</u>	<u>MAS-Pro Oilfield Supply DESCRIPTION</u>
SLP	CS8-5/8	CASING SLIPS 8-5/8" CMS-XL
SLP	FDR	DRAG RING 6-1/16" BORE 1" PIN
SLP	01-07-01-01	SLIP ARM
GUI	3E37989	SLIP BODY ASSY T-60 4-1/2" INTEGRAL
SLP	SD2-3/8T40	SLIP DIES 2-3/8" T-40/T-60
SLP	SD2-7/8T40	SLIP DIES 2-7/8" T-40/T-60
SLP	SDHR2254-1/2	SLIP DIES HYDRA RIG 225 4-1/2" #HH-0508-0408-0
SLP	SDUCL8-5/8	SLIP DIES UC LONG 8-5/8" X 8-5/8" (9 SET)
SLP	SD8-5/8	SLIP DIES WOOLLEY 8-5/8"
SLP	01-07-01-02	SLIP LEVER
SLP	01-07-09-00	SLIP SHAFT ASSY CE
SLP	01-07-08-00	SLIP SHAFT ASSY CR
SLP	SSPF	SLIPS STRIPPING PLATE F
SLP	SCLC	SPACER (FOR CAVIN SLIP CARRIER)
SLP	TF100SCAVINS	TF100-SCAVINS ADVANCE MDLF AIR OP SPIDER BODY ONLY
EQP	WASS	WIPER ASSEMBLY

MAS-Pro Oilfield Supply, Division of 1223492 Alberta LTD.
Red Deer - 4841-78st, T4P 1S9, 403-341-5959
GP/Clairmont - #101, 6902-98st, T8X 5A1, 780-832-9899
Website : www.mas-prosupply.com