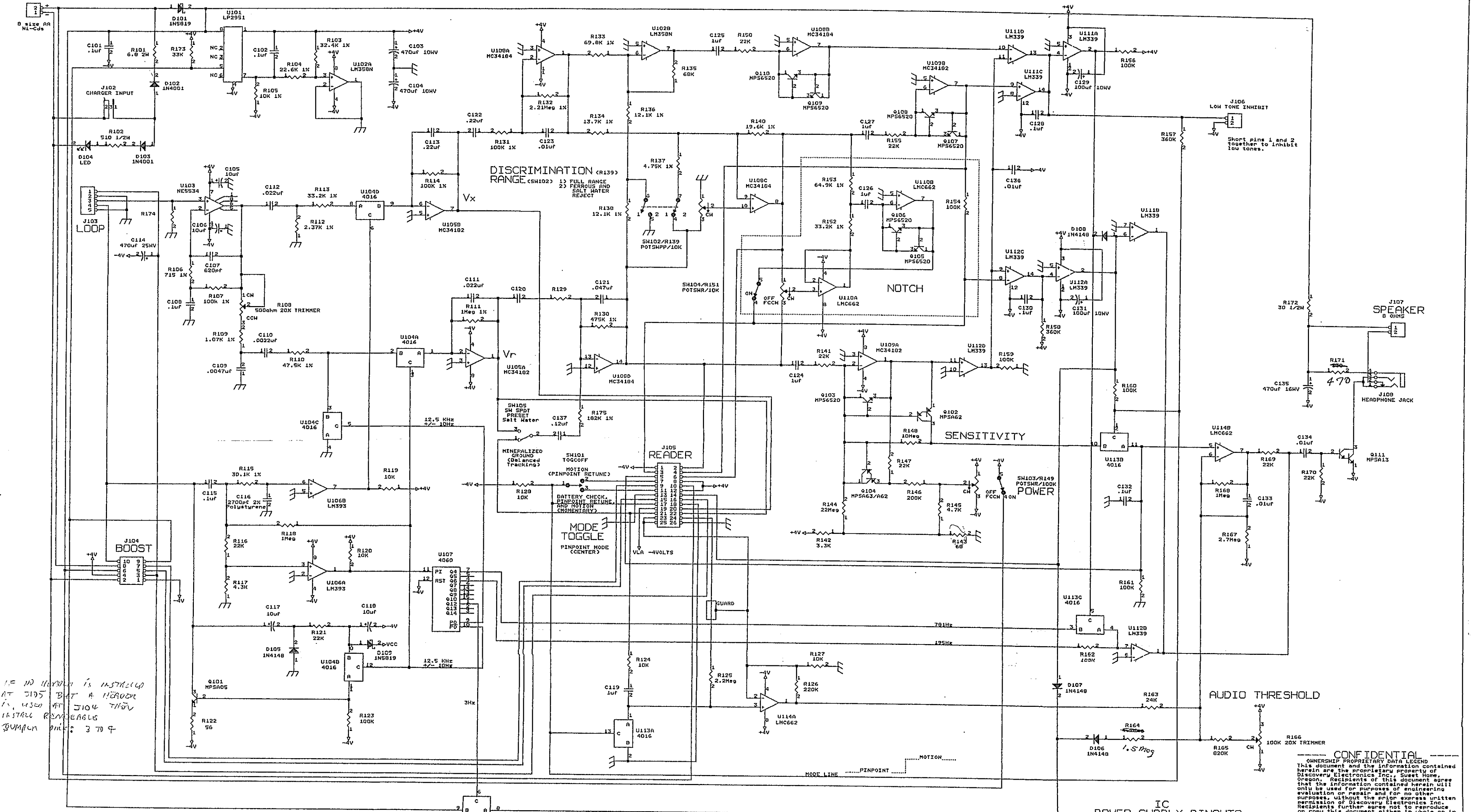


MAIN BATTERY



IF NO HEADPHONE IS INSTALLED AT J105 BUT A HEADPHONE IS USED AT J104 THEN INSTALL RESISTORS: 370Ω

CHARGER J102
 INPUT: 13V AC 600mA
 USE Radio Shack CAT NO. 273-1610
 IF NO HEADPHONE IS INSTALLED AT J104 OR J105 THEN SOLDER JUMPER PINS: 3 TO 4

BOOST J104
 When the BOOST board is not installed jumper the following pins on the main board J104.
 JUMPER PINS: 3 TO 4
 IF A HEADPHONE IS INSTALLED AT J105 BUT NO HEADPHONE IS INSTALLED AT J104 THEN SOLDER JUMPER PINS: 3 TO 4

READER J105
 When the READER board is not installed jumper the following pins on the main board J105.
 Mass market Instrument: R129 100K 1%
 C120 .22uF
 R175 Not used
 C137 Not used
 Reader Brd. option Instrument: R129 22K 1%
 C120 .1uF
 R175 10K 1%
 C137 .12uF

NOTCH
 When Header J105 is not installed on the main board and the READER board is not an option; If main board NOTCH is desired, install the following parts:
 U110 LMC662 Q104 MPS6520
 R152 33.3K 1% Q105 MPS6520
 R153 64.9K 1% U108A MC34184
 R154 100K LMC662 U110 U114
 C123 1uF LH359 U111 U112

IC POWER SUPPLY PINOUTS

DEVICE	PART NUMBER	+4V	-4V
LP2951	U101	1	4
LH359	U102	1	4
NE5534	U103	7	4
CD4016	U104 U113	14	7
MC34102	U105 U109	9	4
LH359	U106	9	4
CD4060	U107	16	8
MC34184	U108	4	11
LMC662	U110 U114	9	4
LH359	U111 U112	3	12

CONFIDENTIAL
 OWNERSHIP PROPRIETARY DATA LEGEND
 This document and the information contained herein are the proprietary property of Discovery Electronics Inc., Sweet Home, Oregon. Recipients of this document agree that the information contained herein will only be used for purposes of engineering evaluation or repair and for no other purposes, without the prior express written permission of Discovery Electronics Inc. Recipients further agree not to reproduce or copy this document either in whole or in part without the prior express written permission of Discovery Electronics, and to promptly return this document to Discovery Electronics upon the receipt of a written request therefore.
 DISCOVERY ELECTRONICS, INC.
 1115 LONG STREET
 SHEET HOME, OREGON 97386
 (503) 367-2895
 Title: MAIN BOARD - SCOUT
 Size: Document Number: REV B
 D: DISCOVERY ELECTRONICS, INC.
 Date: March 25, 1993 Sheet 1 of 1