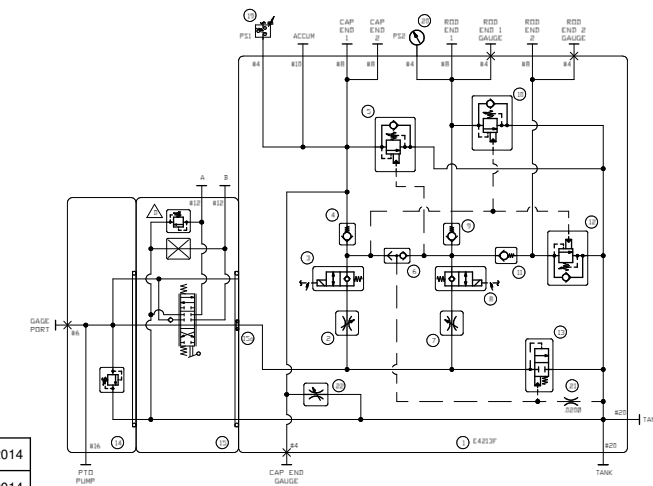
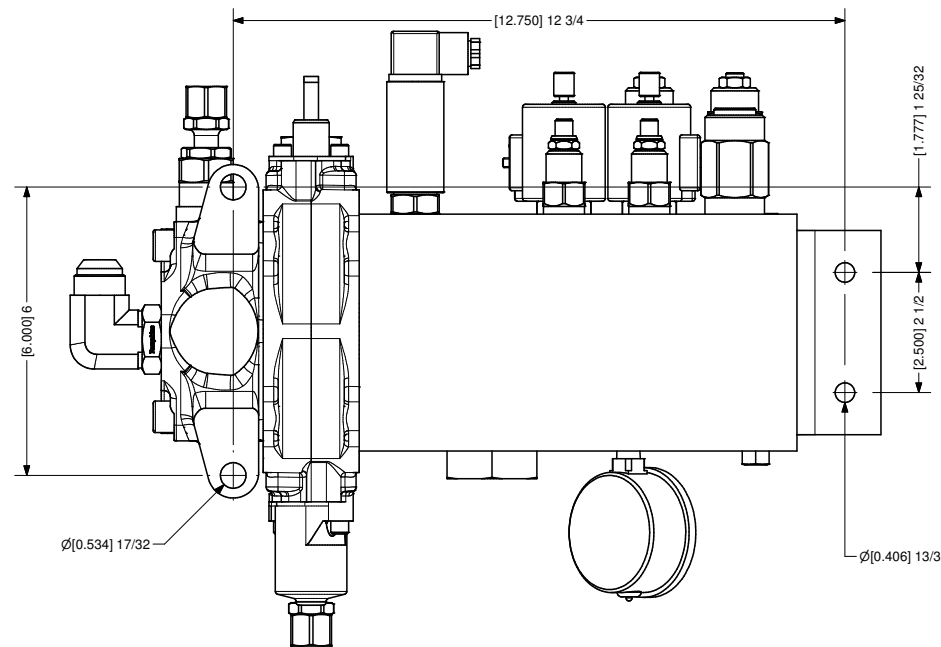
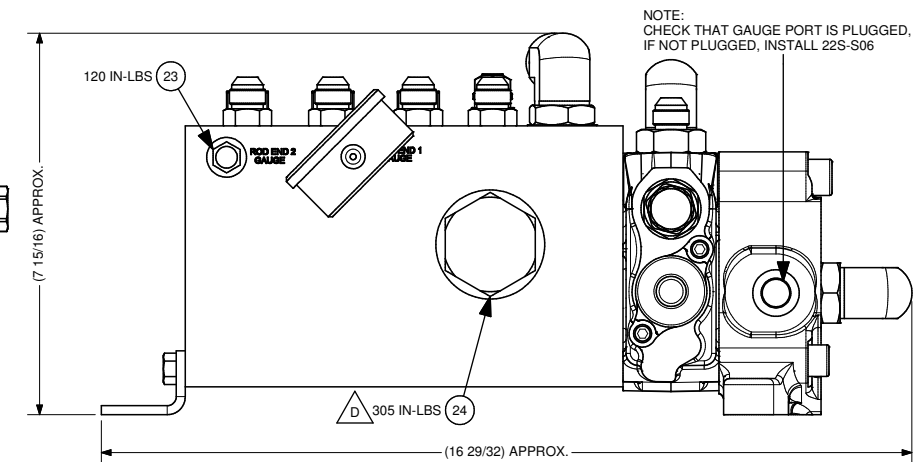
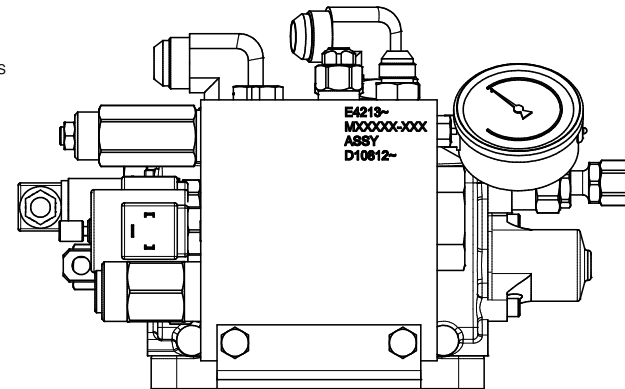
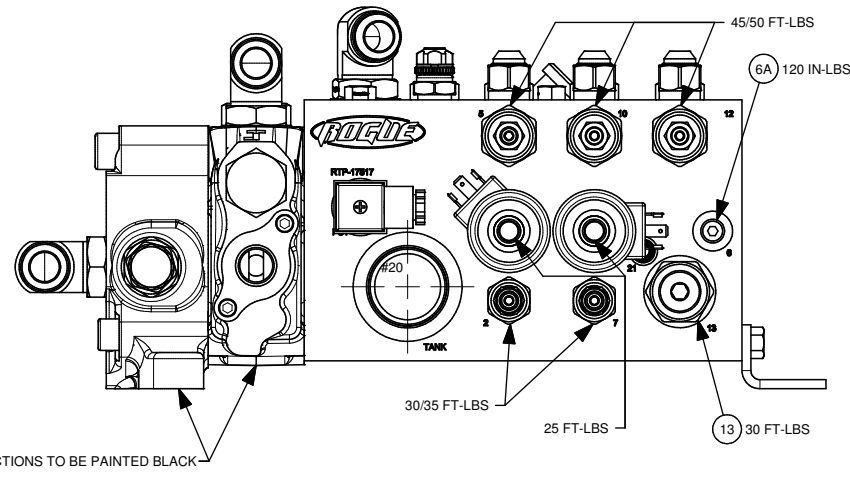
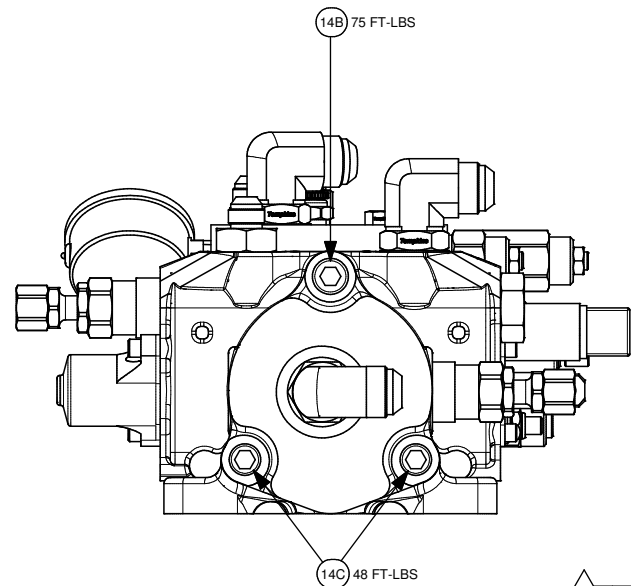


BILL OF MATERIALS					
ITEM	QTY	DESCRIPTION	MANUFACTURER	PART NUMBER	
00	1	MANIFOLD (ALUMINUM)	HPS	E4213	
2	1	NEEDLE VALVE, T-13A	SUN HYDRAULICS	NFCDLFN	
3	1	SOLENOID VALVE	HYDRAFORCE	SV10-20M-0-N-0	
3A	1	COIL, 12VDC	HYDRAFORCE	6356012	
3B	1	DIN CONNECTOR	HIRSCHMAN	GDMZRC21163160	
4	1	CHECK VALVE, T-13A	SUN HYDRAULICS	CXDAXCN	
5	1	COUNTER BALANCE VALVE	SUN HYDRAULICS	CBEALHN	
6	1	SHUTTLE VALVE	SUN HYDRAULICS	CSZNXN	
6A	1	CONSTRUCTION PLUG	EPCO	22S-S04	
7	1	NEEDLE VALVE, T-13A	SUN HYDRAULICS	NFCDLFN	
8	1	SOLENOID VALVE	HYDRAFORCE	SV10-20M-0-N-0	
8A	1	COILD, 12VDC	HYDRAFORCE	6356012	
8B	1	DIN CONNECTOR	HIRSCHMAN	GDMZRC21163160	
9	1	CHECK VALVE	SUN HYDRAULICS	CXDAXCN	
10	1	LOAD REACTIVE LOAD HOLDING VALVE	SUN HYDRAULICS	MBEALHN	
11	1	CHECK VALVE	SUN HYDRAULICS	CXDAXCN	
12	1	LOAD REACTIVE LOAD HOLDING VALVE	SUN HYDRAULICS	MBEALHN	
13	1	LOGIC ELEMENT	HYDRAFORCE	EP12-S35T-0-N-160	
14	1	INLET SECTION	HUSCO	N6001-J11	
14A	1	RELIEF VALVE	HUSCO	N51055-22	
14B	1	Hexagon Socket Head Cap Screw	HPS	1/2 - 13 UNC - 4 3/4 SHCS	
14C	2	Hexagon Socket Head Cap Screw	HPS	7/16 - 14 UNC - 4 1/2 SHCS	
15	1	VALVE SECTION	HUSCO	N6002-J387	
15A	1	O-Ring Face Seal Glands (Internal)	PARKER	Parker (Internal) No. 2-129	
15B	1	RELIEF VALVE	HUSCO	N51055-22/700/5	
15C	1	PORT PLUG	HUSCO	N52810	
16	1	MANIFOLD FOOT BRACKET	HPS	B2072	
16A	2	Hex Bolt - UNC (Regular Thread - Inch)	HPS	3/8-16 UNC - 0.75	
17	3	FITTING	TOMPKINS	6801-12-12	
18	4	FITTING	TOMPKINS	6400-08-08	
19	1	PRESSURE SWITCH	GEMS	PS71-50-4MSZ-C-HC-FS2400PSIR	
19A	1	DIN CONNECTOR	GEMS	COMES WITH ITEM 19	
20	1	PRESSURE GAUGE, 0-5000 PSI/BAR	WIKA	9795702	
21	1	ORIFICE PLUG	KOENIG	RP 062-020	
22	1	NEEDLE VALVE	SUN HYDRAULICS	NFBAXN	
23	3	PLUG, HEX HEAD	TOMPKINS	6408-04	
24	1	PLUG, HEX HEAD	TOMPKINS	6408-20	
25	1	FITTING	TOMPKINS	6400-08-12	
26	1	90° FITTING	TOMPKINS	6801-16-16	



PROPRIETARY NOTICE
 THIS DRAWING, SKETCH OR TEXT CONTAINS
 CONCEPTS, DESIGNS, PRODUCTS AND INFORMATION
 THAT IS PROPRIETARY TO HYDRA-POWER SYSTEMS,
 INC. AND MAY NOT BE REPRODUCED OR GIVEN TO
 A THIRD PARTY WITHOUT THE WRITTEN CONSENT OF
 HYDRA-POWER SYSTEMS, INC.
 © 2014
 HYDRA-POWER SYSTEMS, INC.

REV	DESCRIPTION	BY	DATE
G	CHANGED ITEMS 10 and 12 from CBEALHN to MBEALHN and ITEM 15B to N51055-22/700/5, ADDED PAINT HUSCO SECTION NOTE	BDN	9/12/2014
F	ADDED ITEM 25, ITEM 17 WAS (QTY 1) STRAIGHT, GAUGE NOW ON BACK FACE, HUSCO SPOOL EYE NOW 3/8"	DJD	7/22/2014
E	CHANGED 6a FROM 22S-S06 TO 22S-S04, CHANGED BOLT LENGTH OF ITEM 14C FROM 4-3/8 TO 4-1/2	ETS	3/3/2014
D	REPLACED PRESSURE SWITCH ITEM #20 WITH GAUGE, REPLACED "A" PORT RELIEF IN ITEM 15 WITH PLUG, ADDED PORT PLUG ITEM 24	ETS	10/7/2011
C	CHANGED P/N OF ITEMS 3 & 8, ADDED "M" TO P/N	ETS	4/29/2010
B	MOVED ACCUM PORT & CHANGED FROM #10 TO #12 SIZE, ADDED DIN CONNECTORS & PLUGS IN GAUGE PORTS	ETS	7/21/2008
A	RELEASED FOR PRODUCTION	ETS	06/17/2008
REV	DESCRIPTION	BY	DATE

THIRD ANGLE PROJECTION	CURRENT JOB #
DIMENSIONS ARE IN INCH UNLESS OTHERWISE SPECIFIED	PREVIOUS JOB #'S
TOLERANCES UNLESS SPECIFIED	
FRACTIONAL ± 1/16"	REF. DWG'S
DECIMAL XX ± 0.015"	E4213, B2072
DECIMAL XXX ± 0.010"	CUSTOMER
DECIMAL XXXX ± 0.005"	ROGUE TRUCK BODY
ANGULAR ± 1/2°	Portland, Oregon

SUPER DUMP CONTROL MANIFOLD ASSEMBLY
 SCALE 1/2 SHT 1 OF 1
 6/13/2008 OF 1
 D10812
 HPS HYDRA-POWER SYSTEMS, INC.