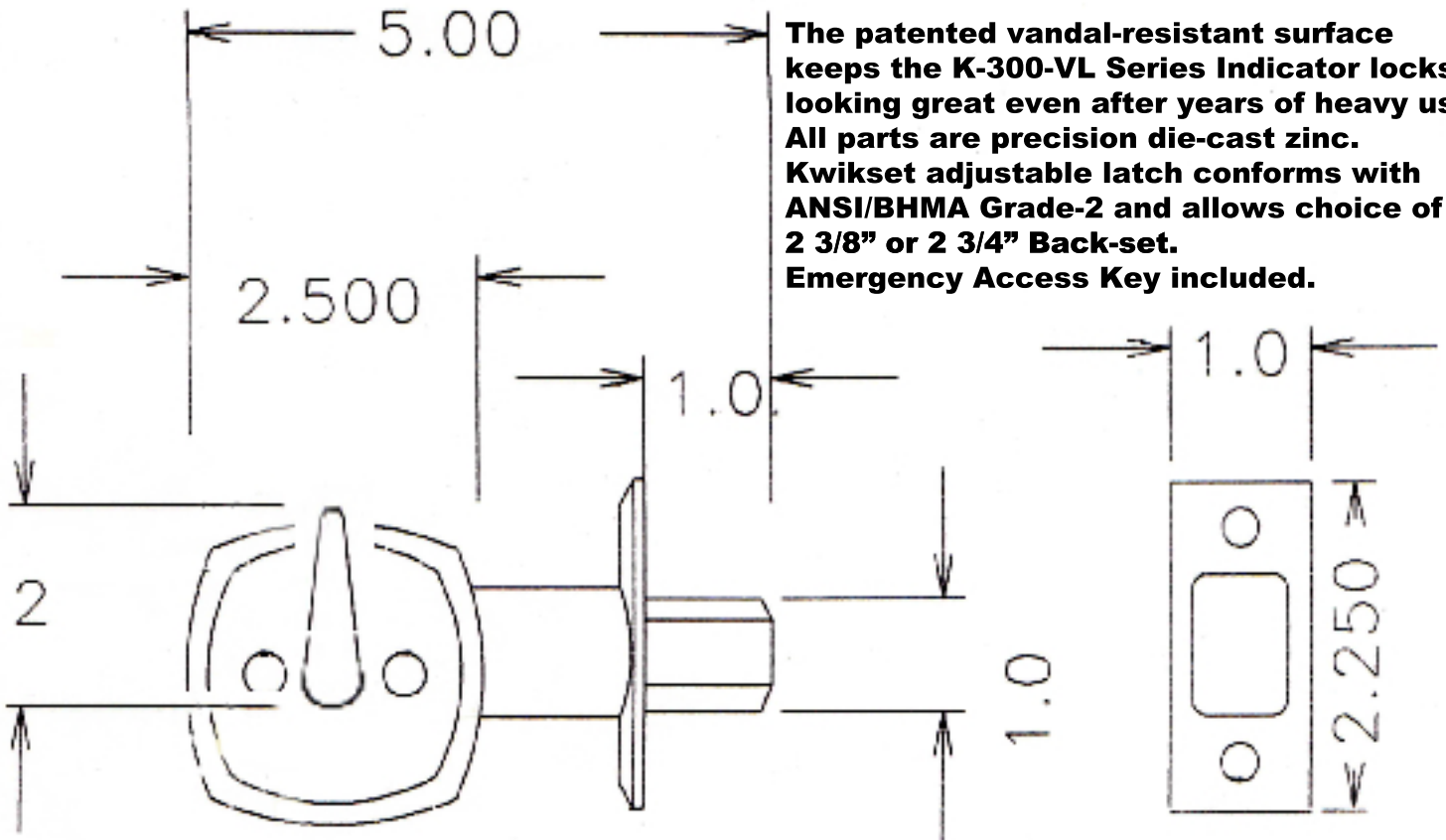


MODEL K-300-VL ADA COMPLIANT PRIVACY INDICATOR DOOR LOCK

SPECIFICATIONS (INCHES)



The patented vandal-resistant surface keeps the K-300-VL Series Indicator locks looking great even after years of heavy use. All parts are precision die-cast zinc. Kwikset adjustable latch conforms with ANSI/BHMA Grade-2 and allows choice of 2 3/8" or 2 3/4" Back-set. Emergency Access Key included.

