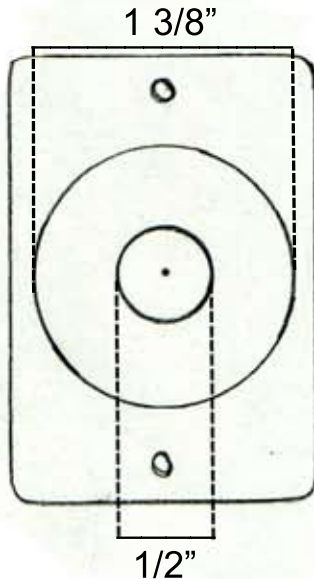


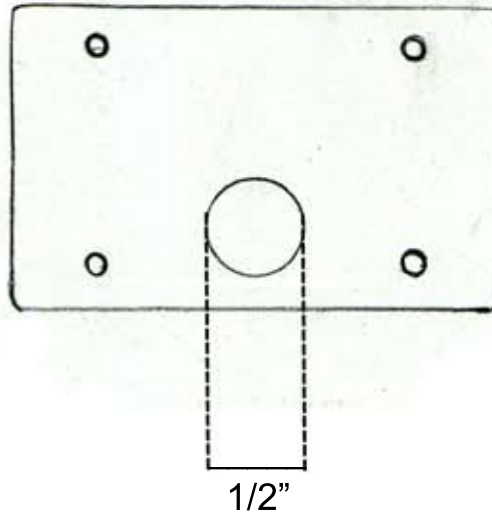
L-100-L.E.D.-GRAVITY DRILL TEMPLATE

To allow room for the electronics use a spade bit to drill the 1 3/8" hole 1/2" deep:



OUTSIDE OF DOOR

INSIDE OF DOOR



For the small holes, use a #37 drill (.104" diam.)

1. Place the inside section on the inside of the door and turn the lever until the bolt is completely extended over the door frame.

2. Use a pencil to mark the screw holes for the strike and the inside section.

3. Mark the center of the 1/2" hole with a pencil. Drill a 1/8" guide hole on that center mark through door.

4. Use a 1 3/8" spade bit to drill a 1/2" deep hole on the outside of the door, using the 1/8" guide hole for a center.

5. Use a 1/2" drill to enlarge the 1/8" guide hole to a 1/2" hole through door.

6. Put the wire through the door and install the outside section. Connect the wire from the inside section.

7. Connect the turn-bar into the slots on the inside and outside lock sections and screw the lockset onto the door.

7. The lock should light up in the OCCUPIED position and automatically shut off in the VACANT position thanks to gravity and some clever American engineering.



(800) 578-1816
sales@pridebarco.com