



PRE FABRICATED STEEL BUILDINGS

<http://www.pioneerbuildings.com>

Installing Ventilators

INSTALLING VENTILATORS

Locate the ventilator boxes in your shipment; the vent adapter is usually packaged in a separate carton.

CAUTION: We recommend a minimum spacing of 20 feet or 10 arches between ventilators. Ventilators should only be installed at the peak of your ECONOSPAN building.

Take the vent adapter and place it in the right location. With a felt-tip marker, trace the inside of the opening onto the arches (see fig.57).

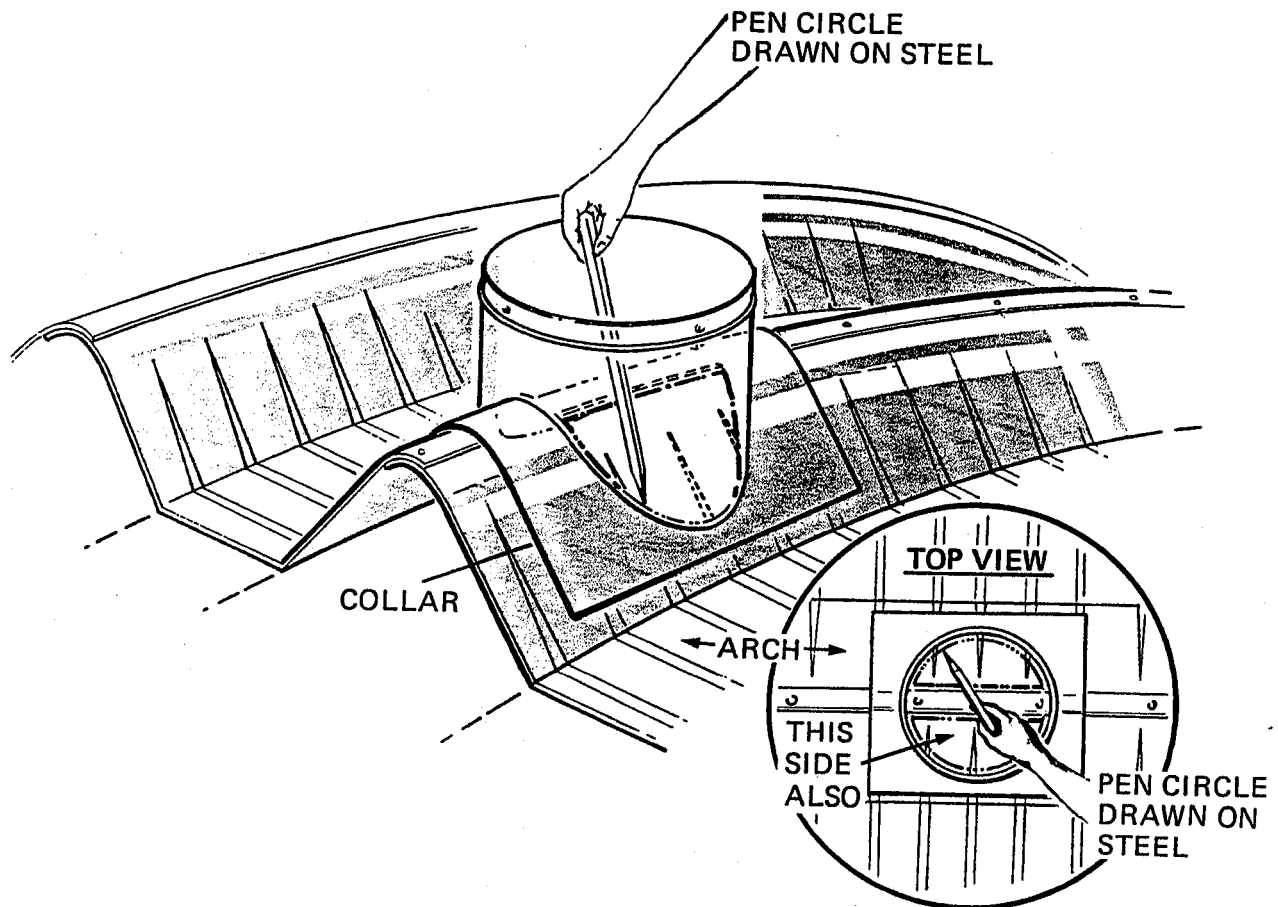


Fig. 57

Drill a hole to have a starting point; then, with a keyhole-type hacksaw, cut two semi-circular openings in the arches. We recommend leaving the bolted strip in the middle of the hole intact (see fig.58).

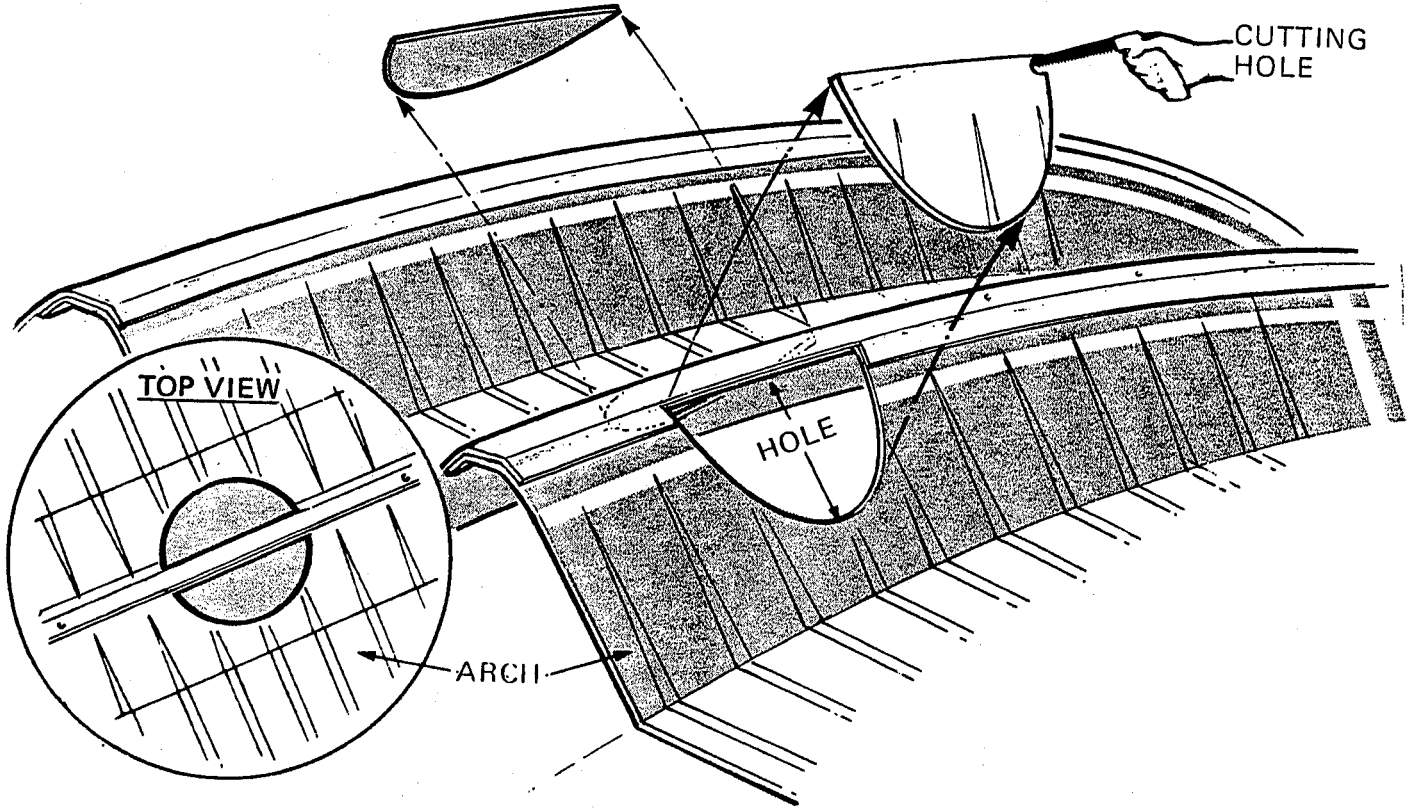


Fig. 58

Put a bead or a strip of caulking, if used, all the way around the holes for sealing. Now, place the adapter back in position and press it firmly down until it is properly seated on the arch profile. Then, drill a number of holes through the flat flanges of the adapter and the arches underneath it, and bolt the adapter firmly to the arches (see fig. 59).

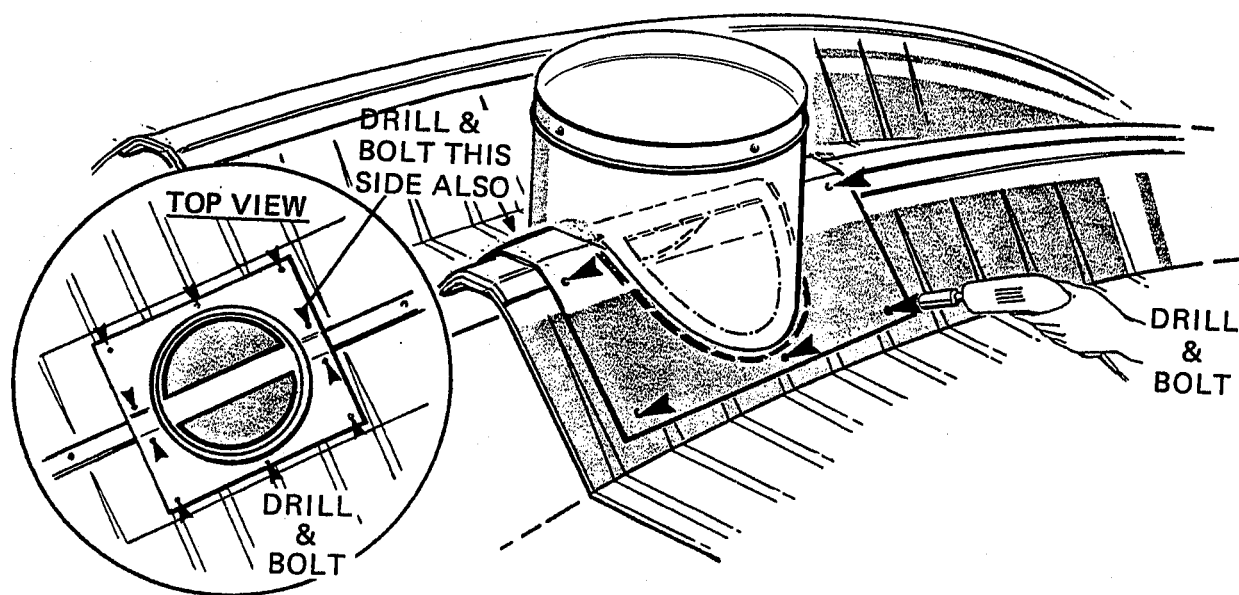


Fig. 59

Carefully install the turbo-ventilator or the stationary ventilator on top of the adapter, drill a few holes through the ventilator collar and the adapter and insert bolts to secure the ventilator. See fig.60.

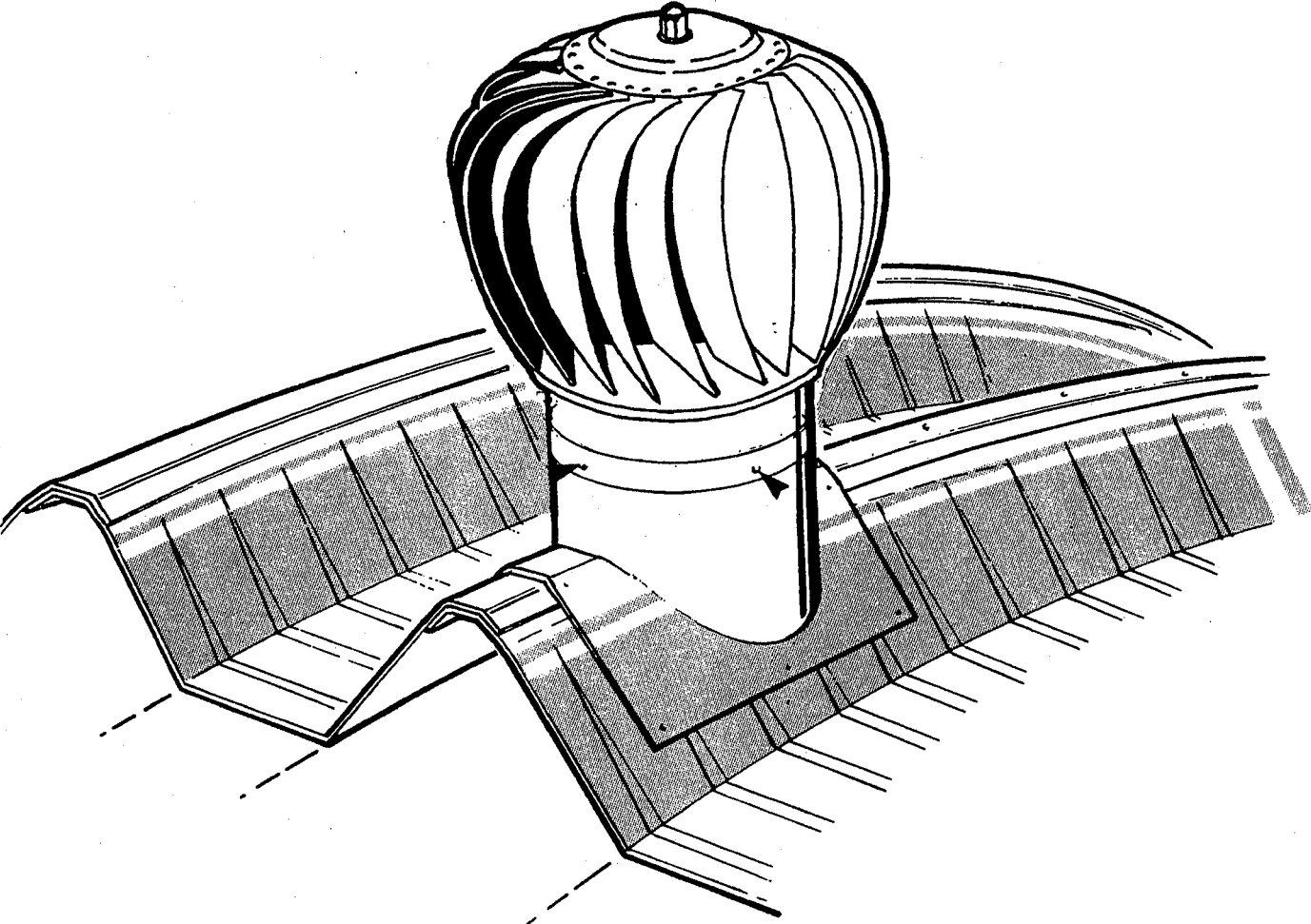


Fig. 60