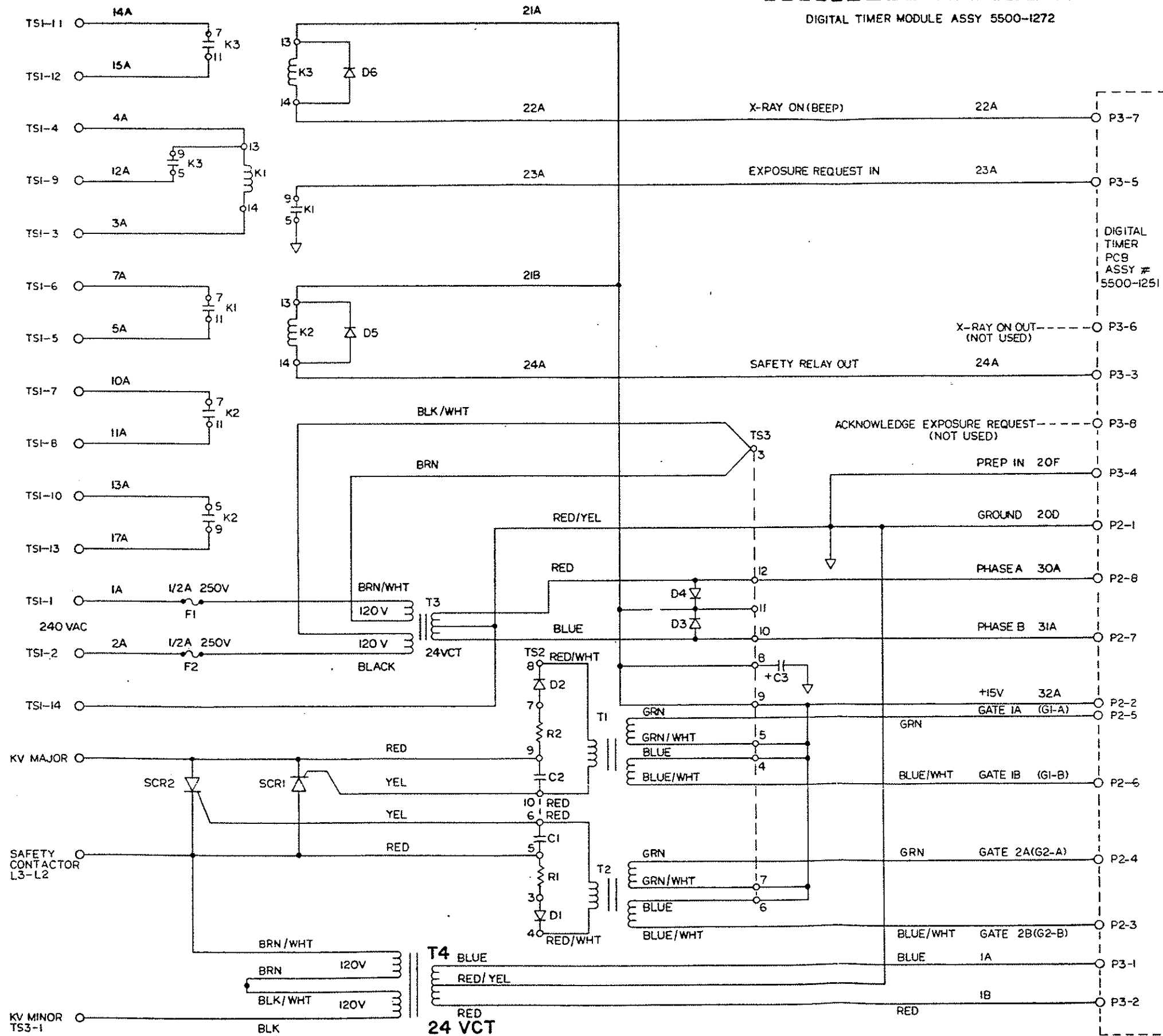


DIGITAL TIMER MODULE SCHEMATIC

DIGITAL TIMER MODULE ASSY 5500-1272



DIGITAL
TIMER
PCB
ASSY #
5500-1251