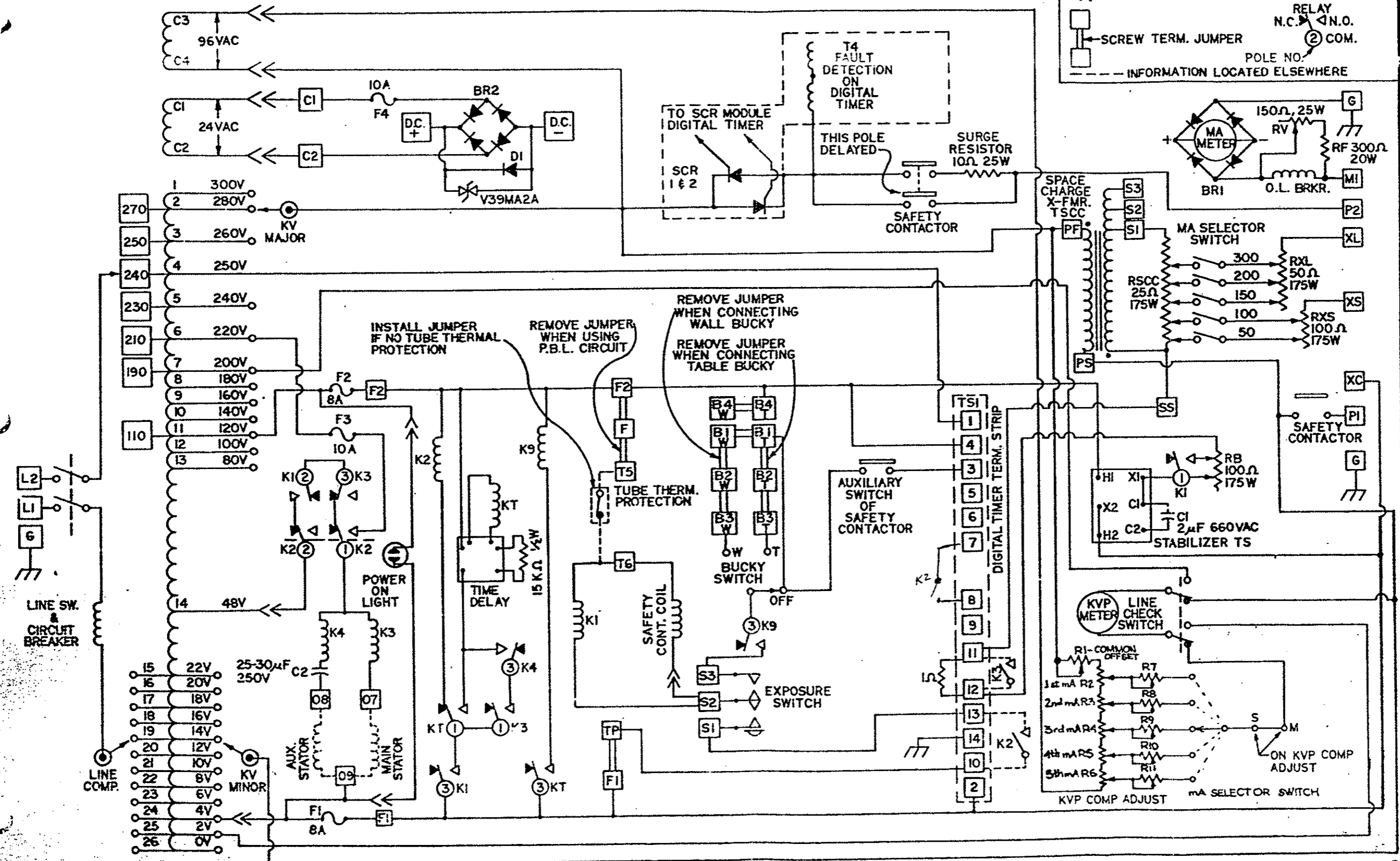


**CONTROL CIRCUIT DIAGRAM  
MODEL NO. 3487**

**LEGEND**

- COM. N.O. SWITCH
- SCREW TERMINAL
- SPLICE CONNECTOR
- SCREW TERM. JUMPER
- EARTH GROUND
- NEON LIGHT
- RELAY  
N.C. N.O.
- POLE NO.
- INFORMATION LOCATED ELSEWHERE



*R. Anderson 14 Sept 53*