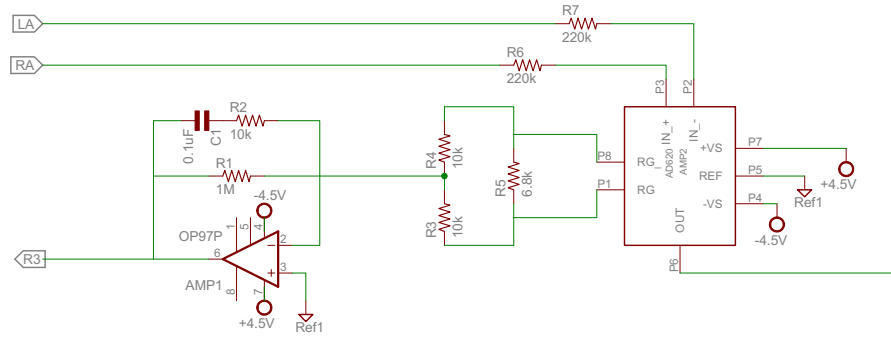
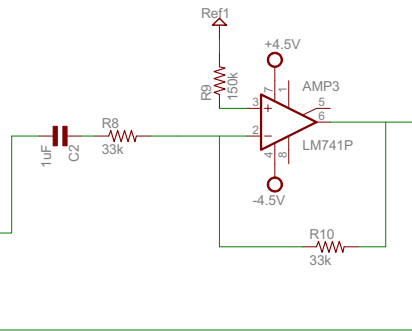


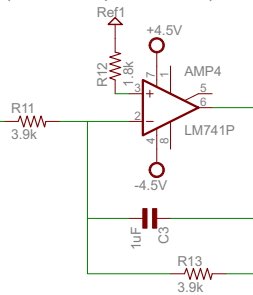
Driven Right Leg and Inst. Amp. Circuit



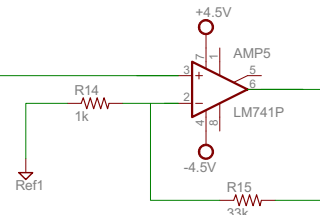
High Pass Filter (cut off freq. of 4.8 Hz)



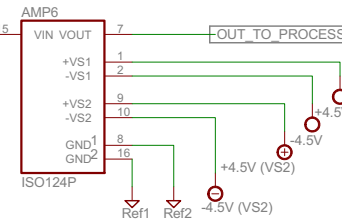
Low Pass Filter (cut off freq. of 40.8 Hz)



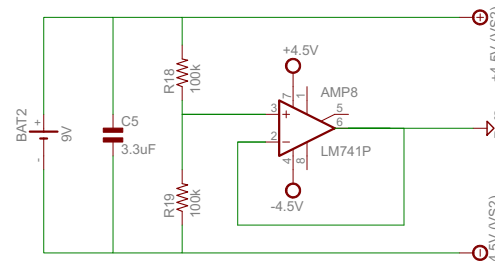
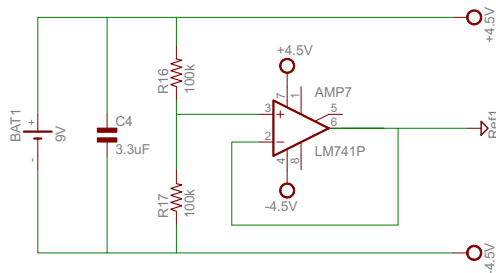
Gain of 33 V/V



Isolation and Output



Power Circuit



Total Circuit:

Gain ~ $8 \times 33 = 264$ V/V
Bandwidth: 4.8 Hz to 40.8 Hz

Carleton University, SYSC4203	ECG Acquisition Circuit
Designed by: Nezar Assawiel, 100838529	05/12/2014 6:16:02 PM
	Sheet: 1/1