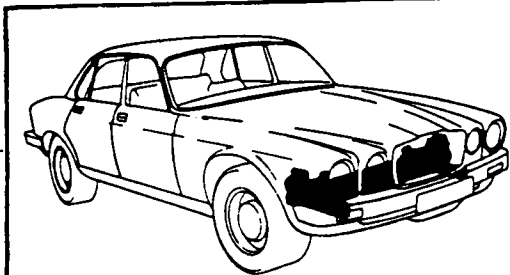
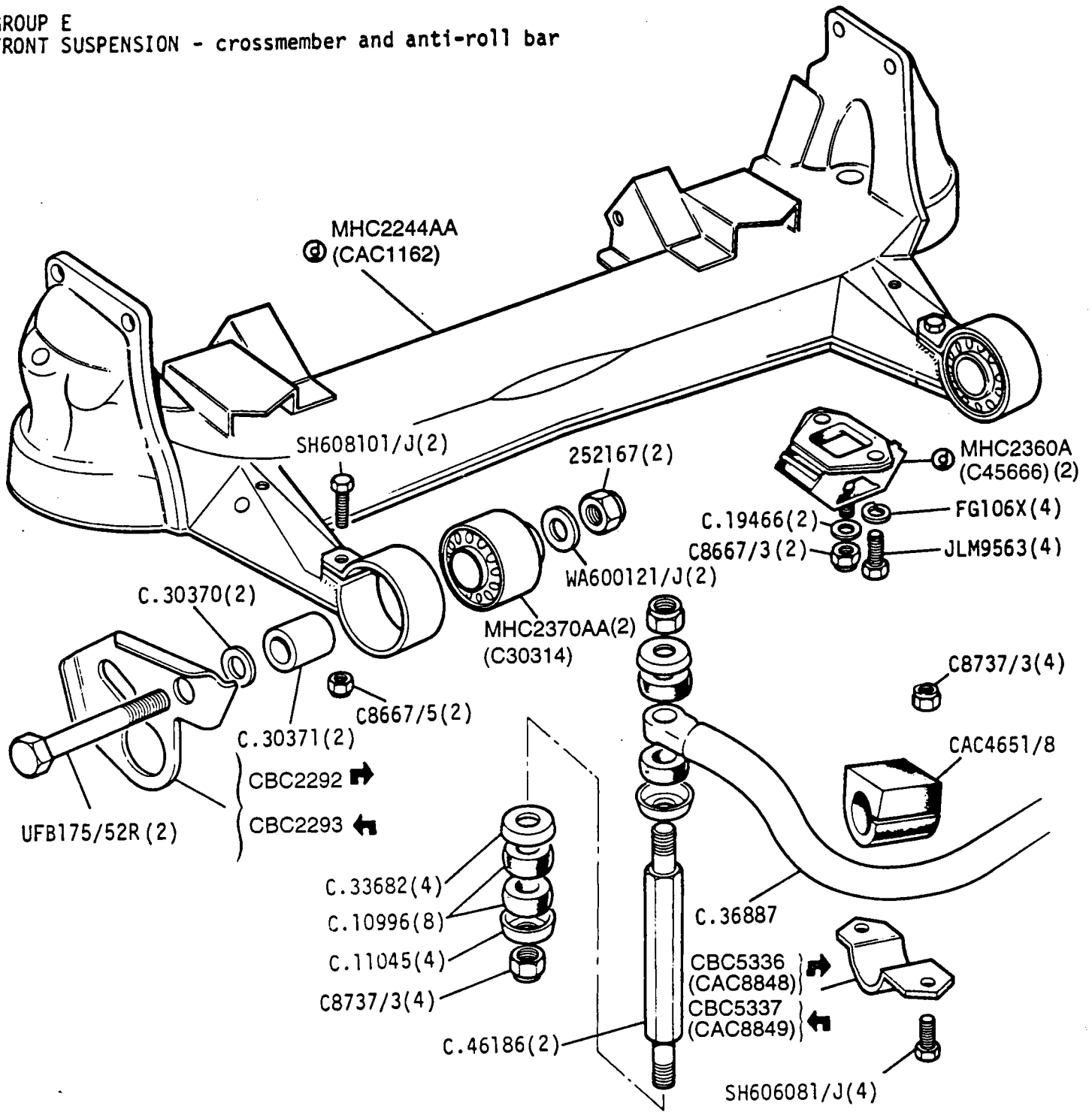


GROUP E
 FRONT SUSPENSION - crossmember and anti-roll bar

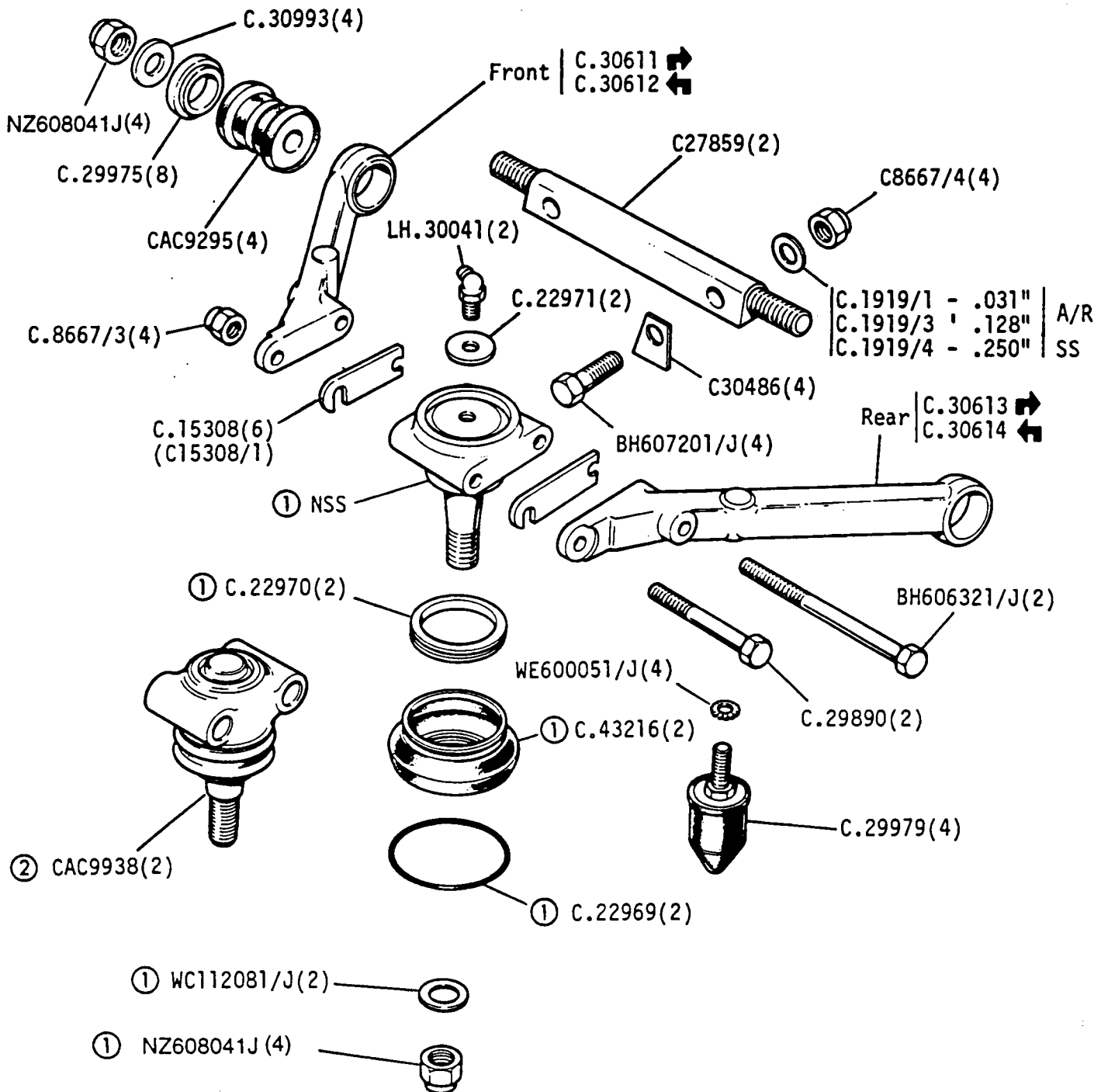


Jaguar XJ6 3.4, 4.2 and Jaguar Sovereign Series 3
 Daimler 4.2 and Jaguar Vanden Plas Series 3

VS1116

1F 02L

GROUP E
FRONT SUSPENSION - upper wishbone and ball joints



① Part of ④ C23024 upper ball joint kit

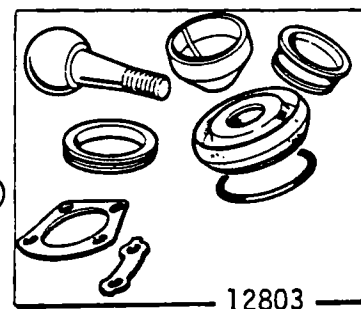
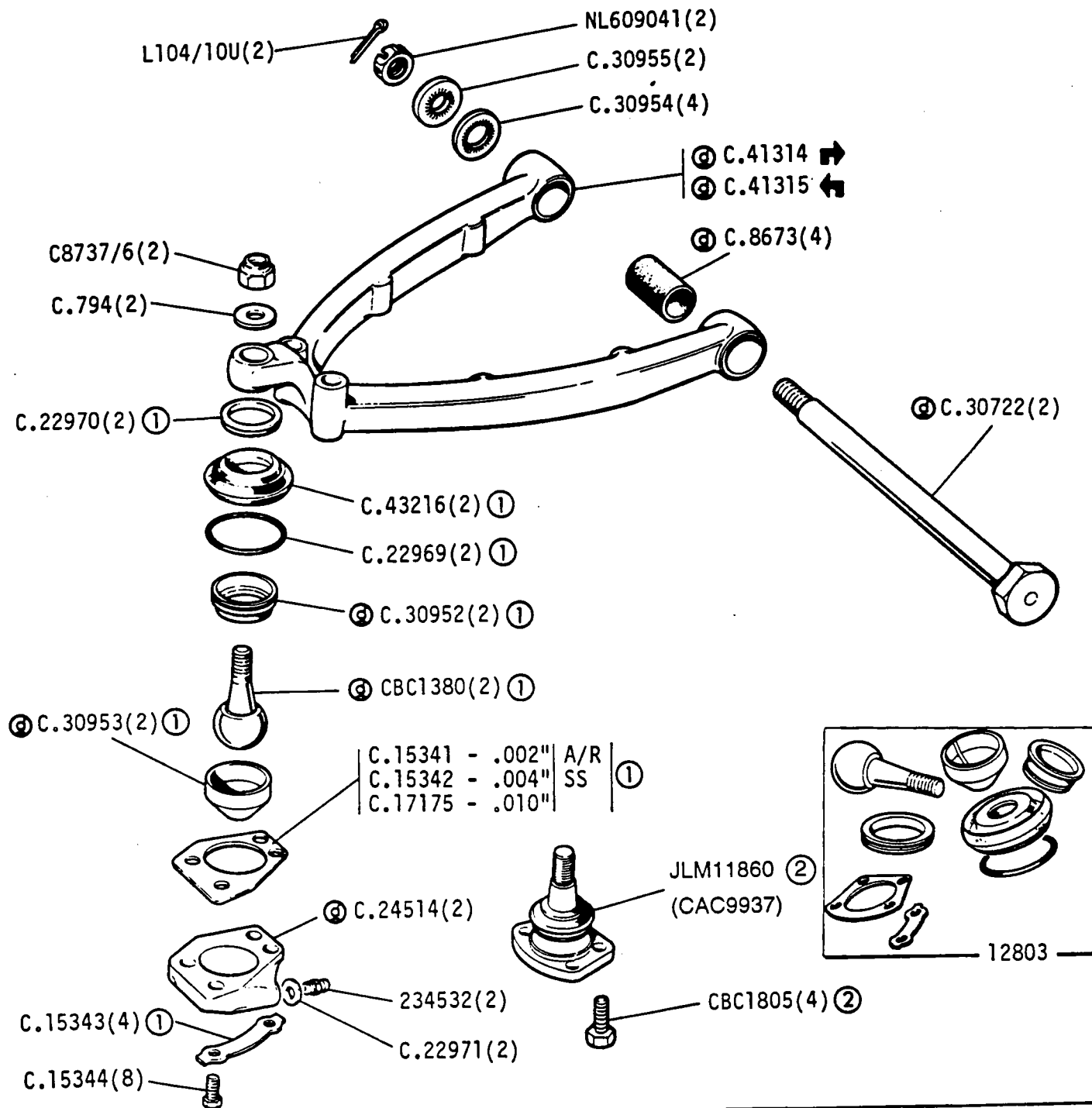
② CAC9938 is a supersession for C23024

SM4089/A

Jaguar XJ6 3.4, 4.2 and Jaguar Sovereign Series 3
Daimler 4.2 and Jaguar Vanden Plas Series 3

IF 02R

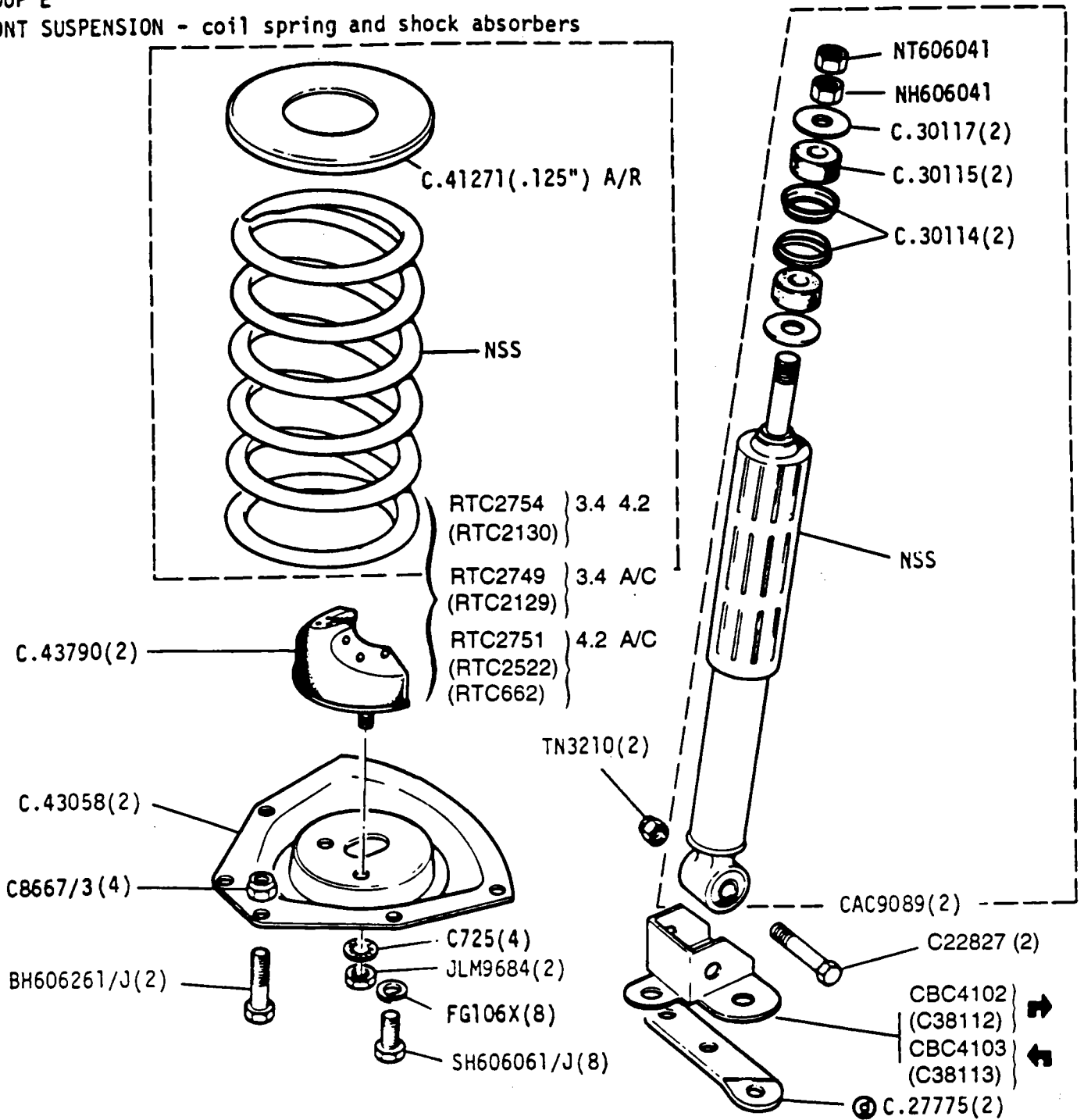
GROUP E
FRONT SUSPENSION - lower wishbone and ball joints

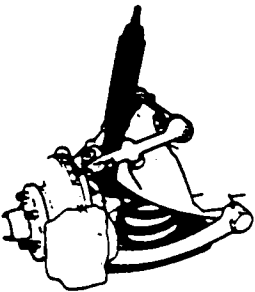


- ① Part of 12803 lower ball joint kit
- ② When fitting CAC9937 as supersession to 12803, CBC1805 4 off must be fitted in conjunction

SM5149/A

GROUP E
 FRONT SUSPENSION - coil spring and shock absorbers



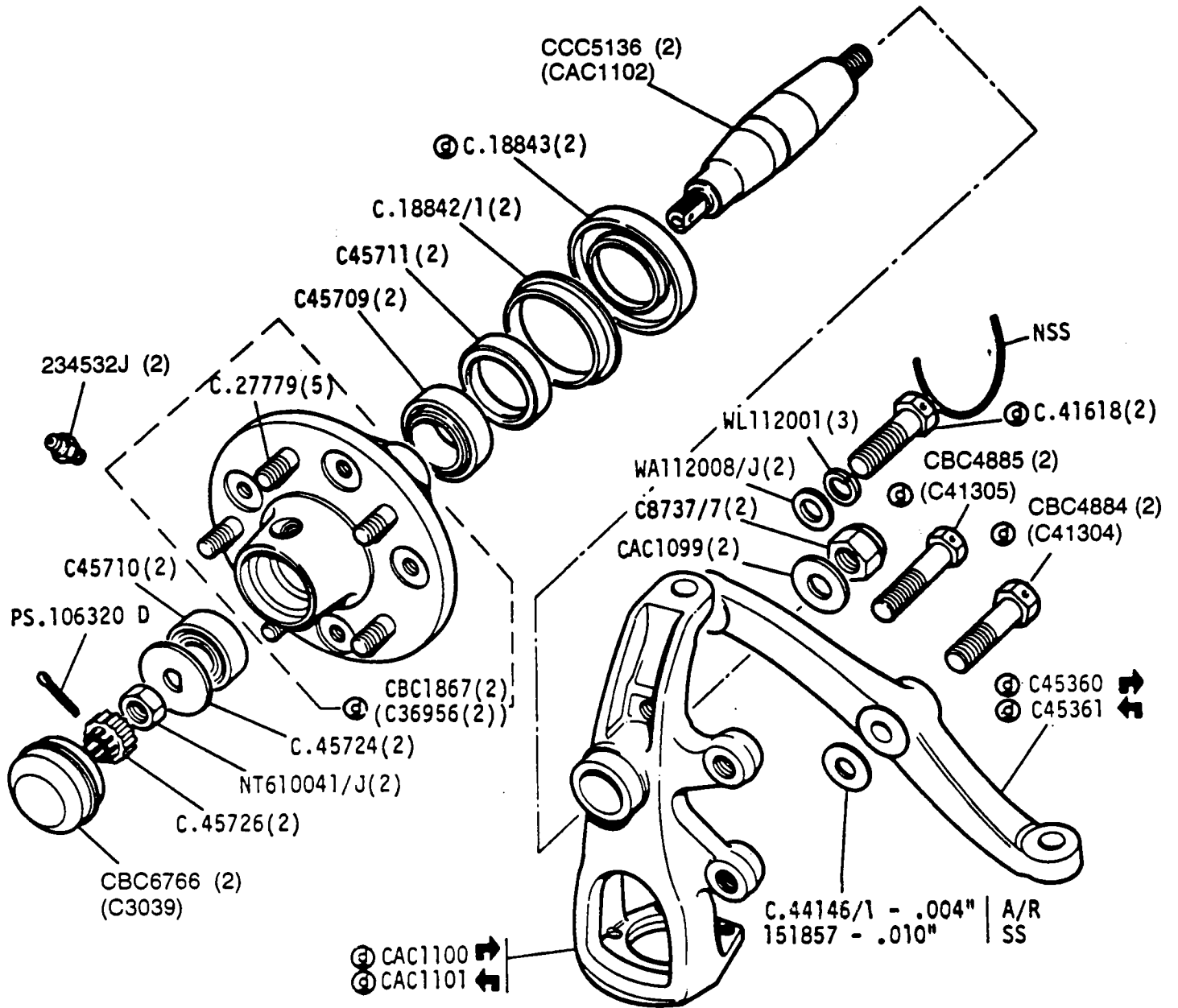



SM7074

Jaguar XJ6 3.4 and 4.2 and Jaguar Sovereign 4.2 Series 3
 Daimler 4.2 and Jaguar Vanden Plas Series 3

1F 03R

GROUP E
 FRONT SUSPENSION - hub and stub axle carrier



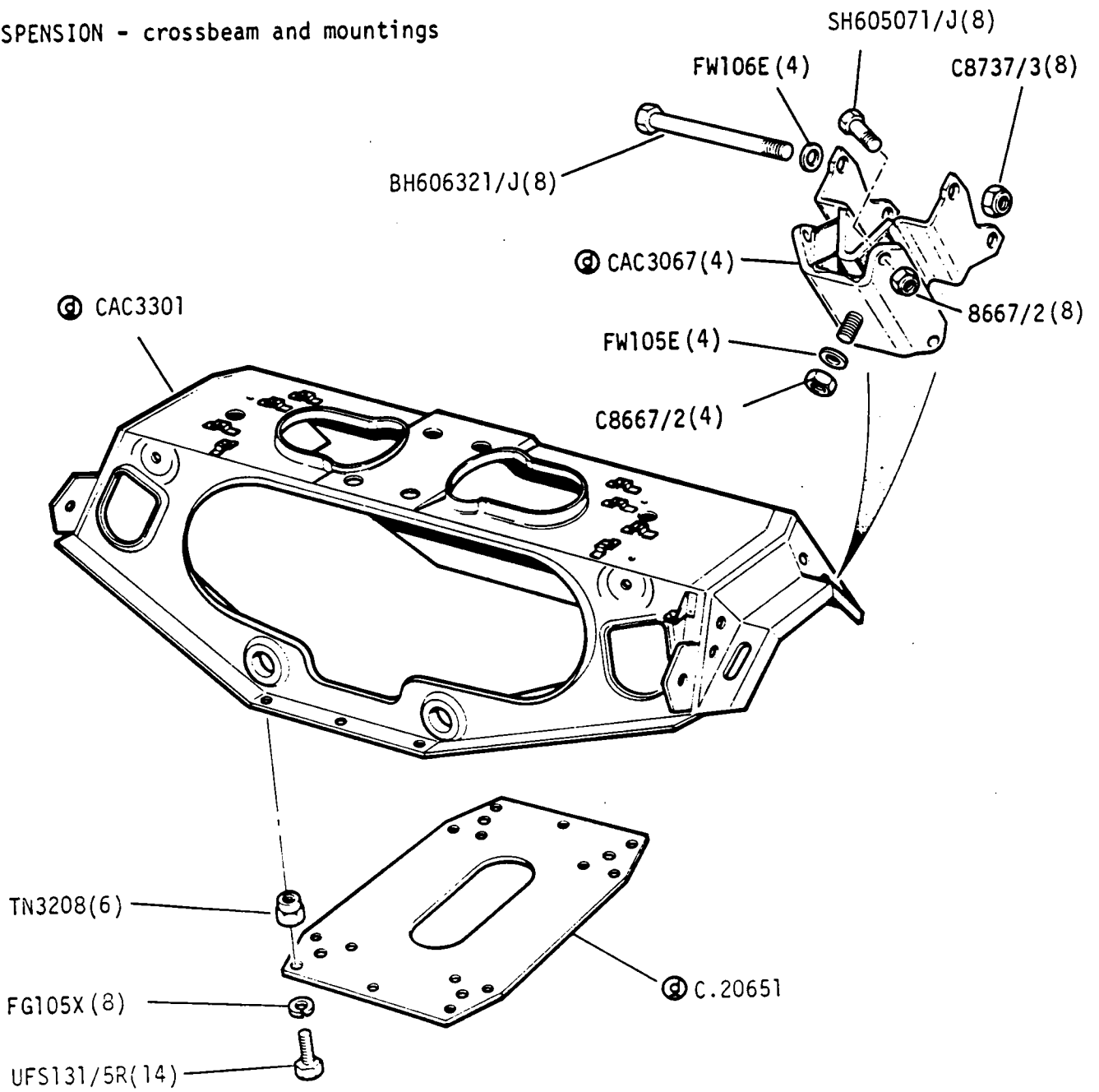


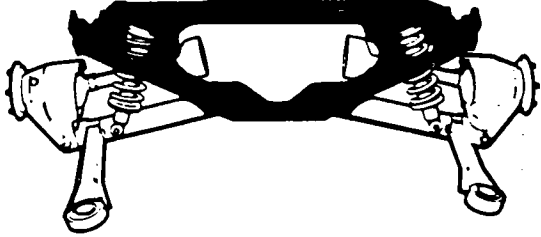
SM5696

Jaguar XJ6 3.4 and 4.2 and Jaguar Sovereign 4.2 Series 3
 Daimler 4.2 and Jaguar Vanden Plas Series 3

1F 04L

GROUP E
 REAR SUSPENSION - crossbeam and mountings



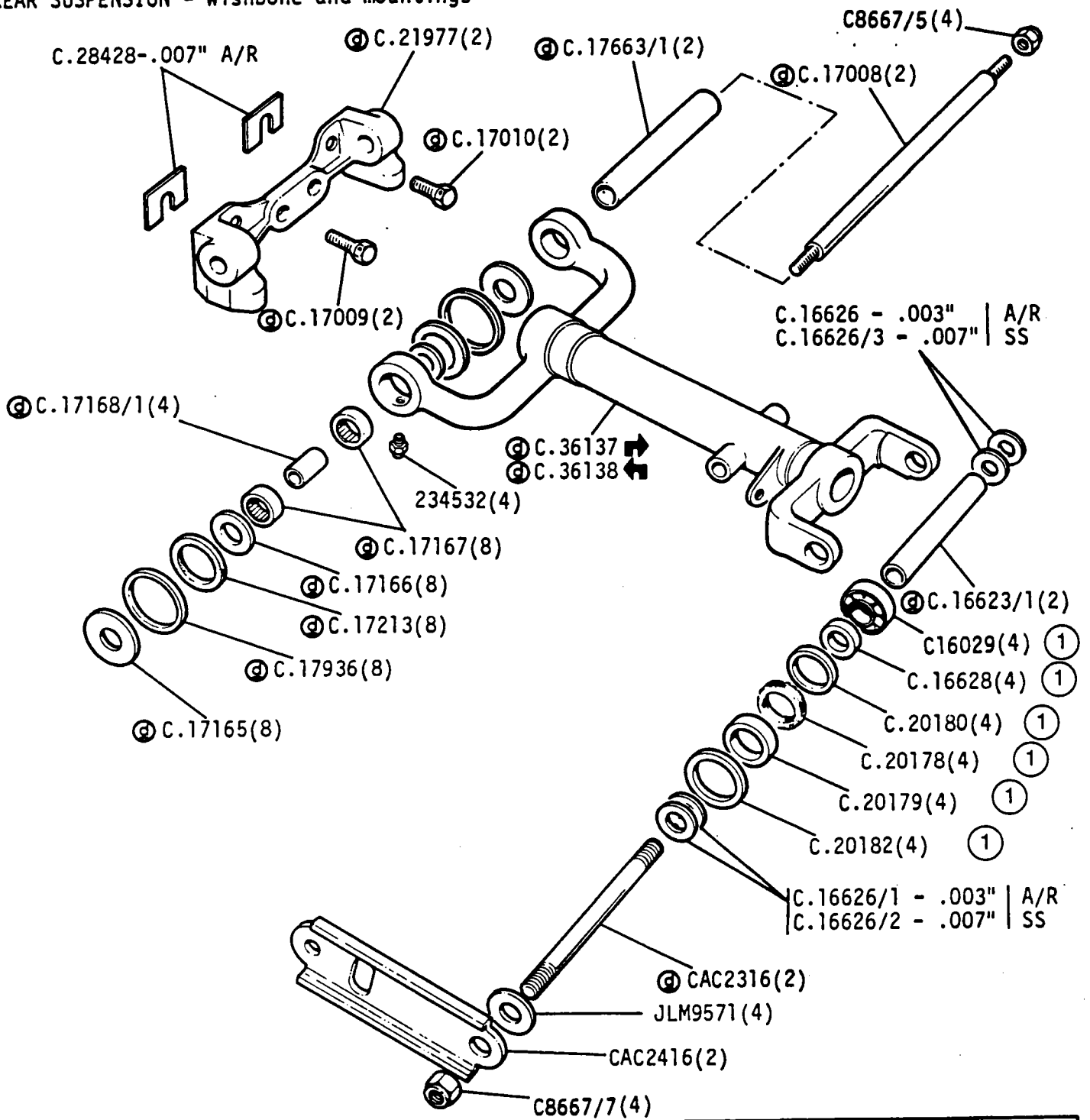


SM7076

Jaguar XJ6 3.4, 4.2 and Jaguar Sovereign Series 3
 Daimler 4.2 and Jaguar Vanden Plas Series 3

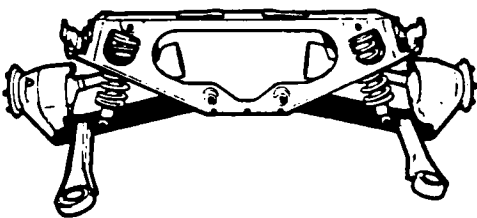
1F 04R

GROUP E
 REAR SUSPENSION - wishbone and mountings



① Part of kit JLM11539 Trunion kit

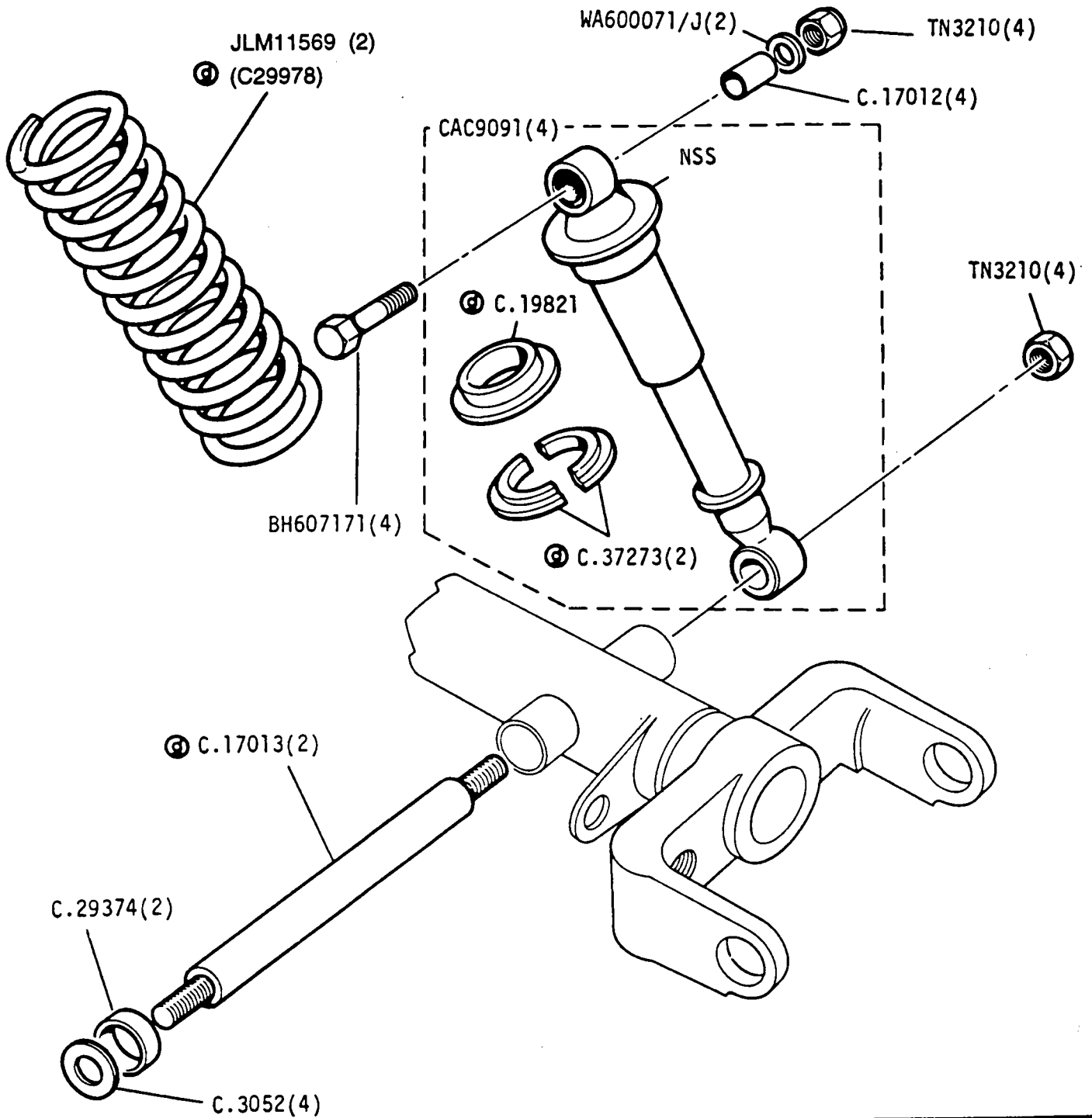
VS1124

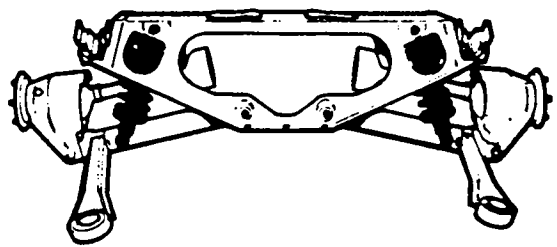


Jaguar XJ6 3.4, 4.2 and Jaguar Sovereign Series 3
 Daimler 4.2 and Jaguar Vanden Plas Series 3

1F 05L

GROUP E
 REAR SUSPENSION - spring and shock absorber



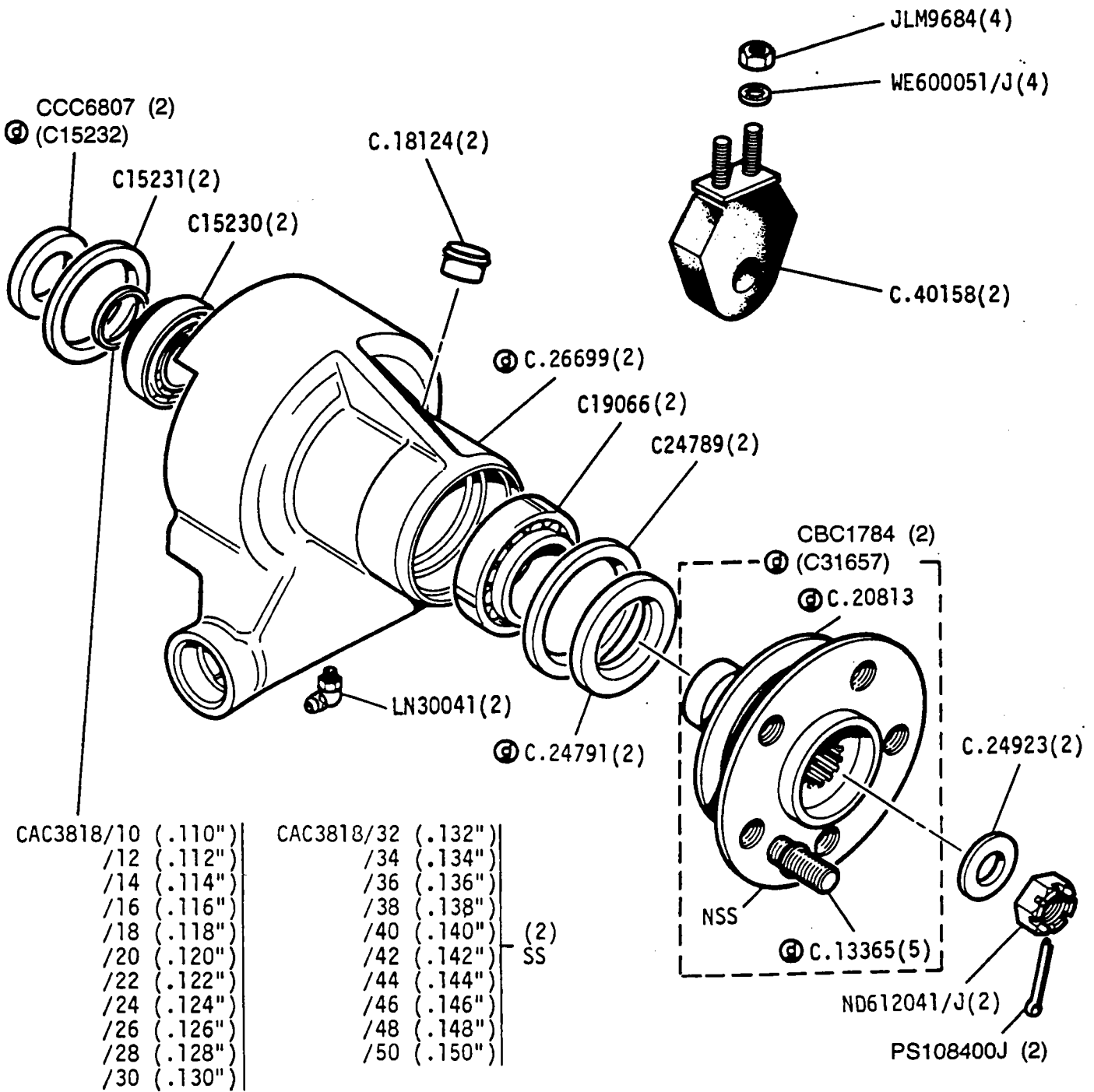


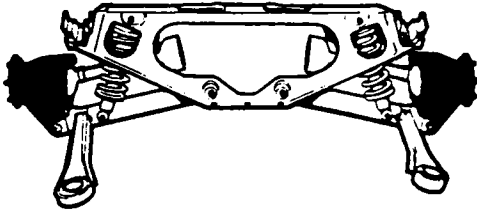
VS1477

Jaguar XJ6 3.4, 4.2 and Jaguar Sovereign Series 3
 Daimler 4.2 and Jaguar Vanden Plas Series 3

1F 05R

GROUP E
 REAR SUSPENSION - hub and hub carriers



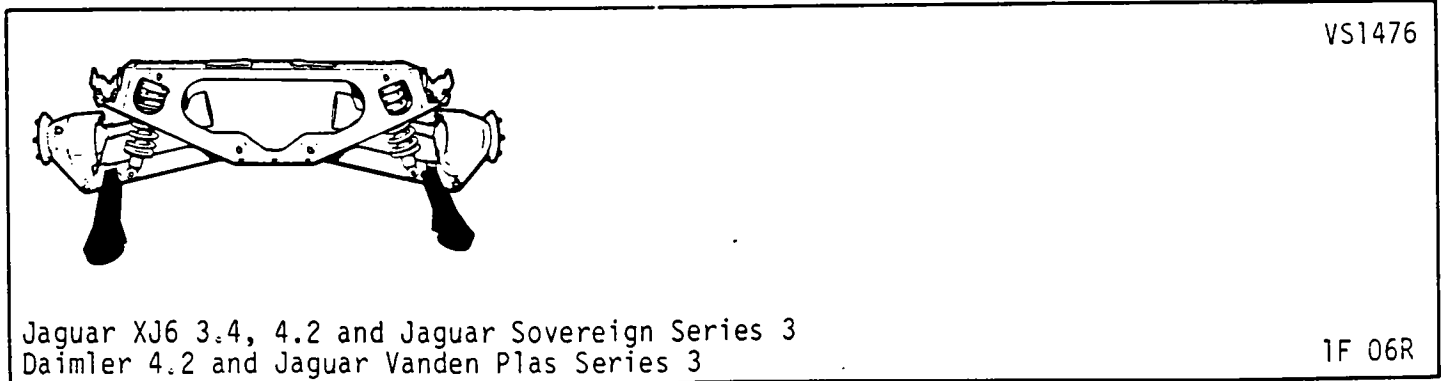
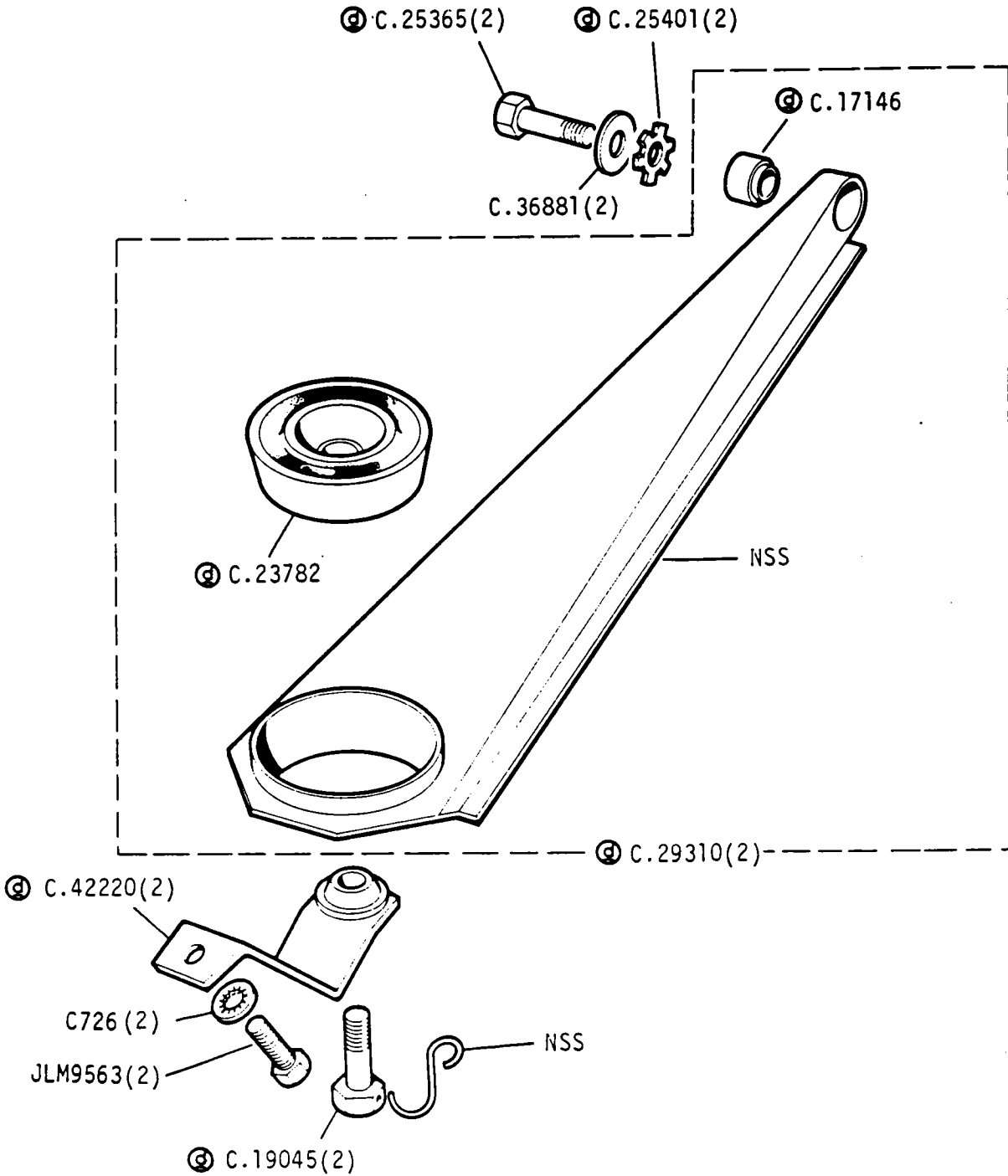


SM7080

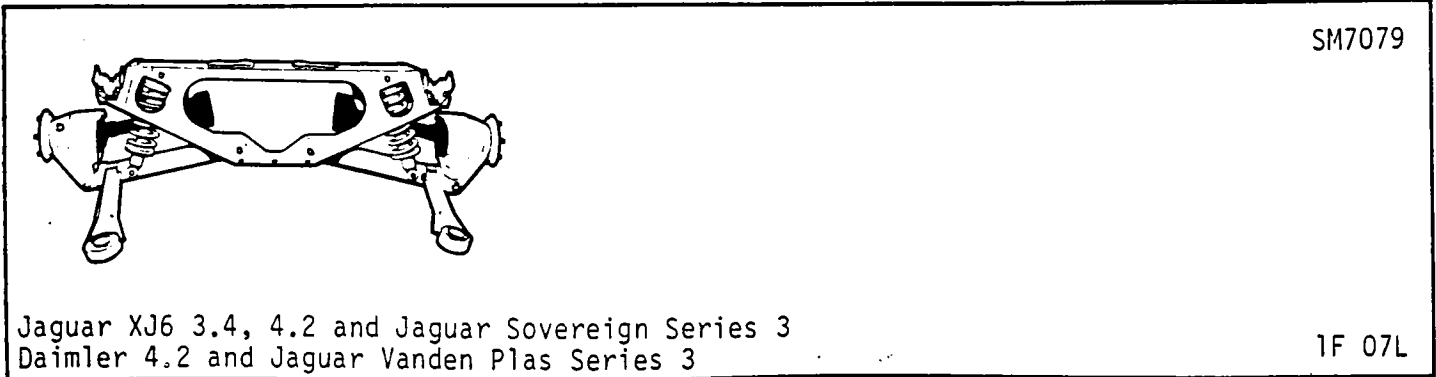
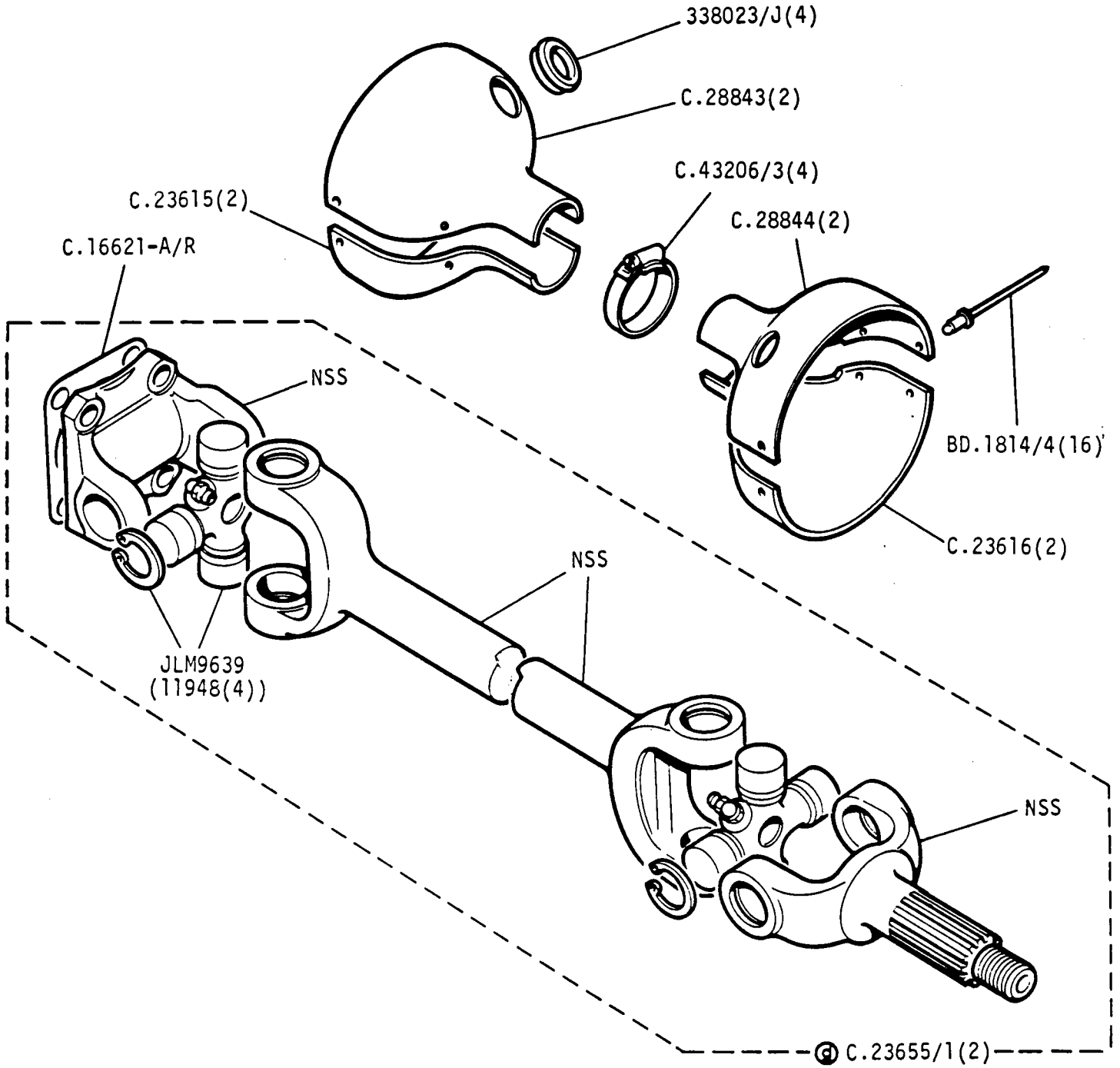
Jaguar XJ6 3.4, 4.2 and Jaguar Sovereign Series 3
 Daimler 4.2 and Jaguar Vanden Plas Series 3

1F 06L

GROUP E
 REAR SUSPENSION - radius arm and mountings



GROUP E
 REAR SUSPENSION - half shafts

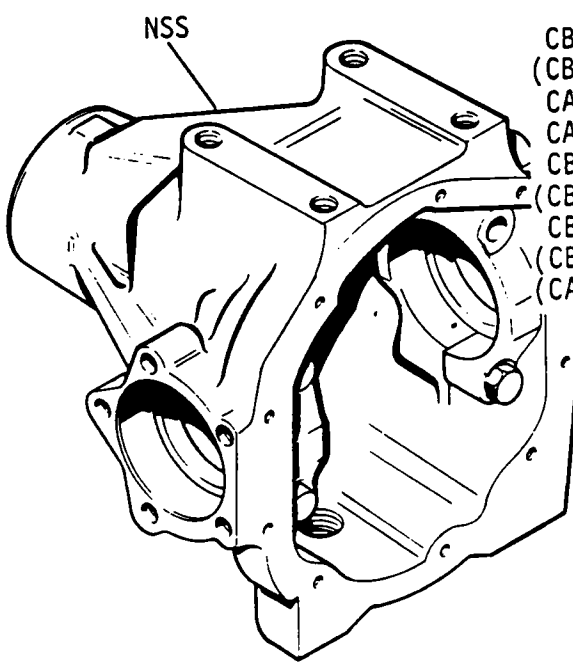
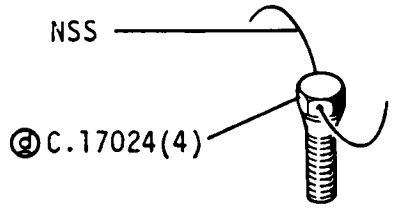
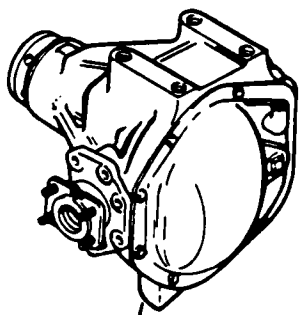


SM7079

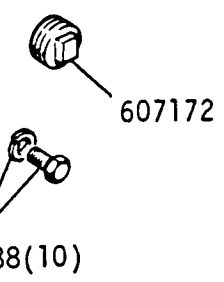
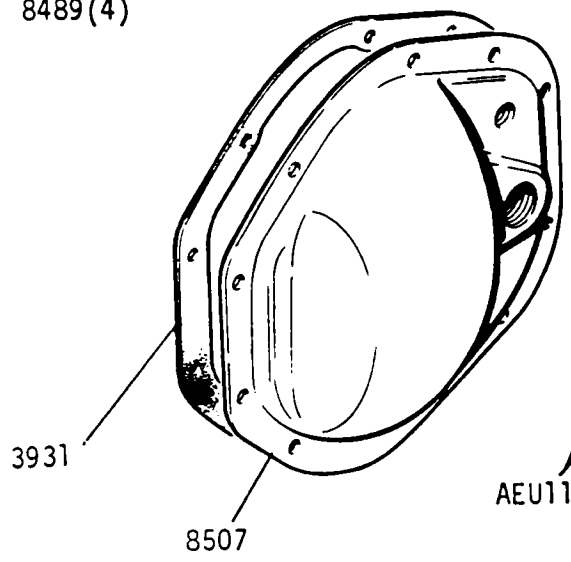
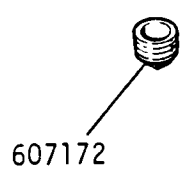
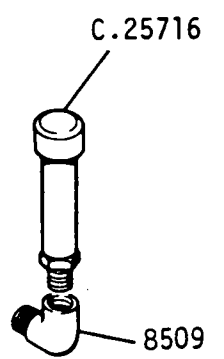
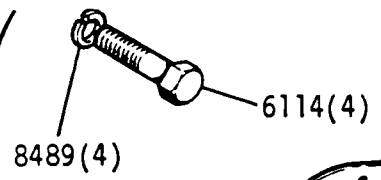
Jaguar XJ6 3.4, 4.2 and Jaguar Sovereign Series 3
 Daimler 4.2 and Jaguar Vanden Plas Series 3

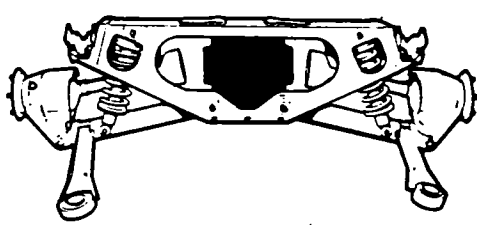
1F 07L

GROUP E
FINAL DRIVE - drive unit



- | | | | |
|------------|----------|--------------------------------|----------------|
| CBC2258/06 | 3. 06:1 | Non Powr-lok Not N/America | |
| (CBC1764/P | 3.058:1) | Austria, Switzerland | |
| CAC2391/H | 2. 88:1 | Non Powr-lok N America only | |
| CAC2391/A | 3. 54:1 | Non Powr-lok 3.4 Auto & Manual | |
| CBC2259/06 | 3. 06:1 | Powr-lok Austria & Switzerland | |
| (CBC1765/P | 3.058:1) | | |
| CBC1957/35 | 3. 54:1 | Powr-lok | 3.4 optional |
| (CBC1957/A | 3. 54:1) | | 4.2 (HSV only) |
| (CAC2022/A | 3. 54:1) | | |





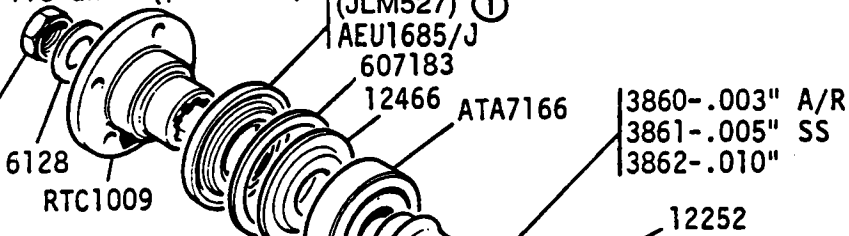
SM5145

Jaguar XJ6 3.4, 4.2 and Jaguar Sovereign Series 3
Daimler 4.2 and Jaguar Vanden Plas series 3

1F 07R

GROUP E
FINAL DRIVE - drive unit (powr-lok)

CBC6923
(JLM527) ①
AEU1685/J
607183



11099

12456

NSS

JLM635 (AEU1936)	2.88:1	49/17	BAU4604J (10)
JLM371	3.058:1	52/17 ③	→ ②
AEU1831	3.058:1		
124581	3.54:1	46/13	

BAU4604J (10)

3845(2)

RTC1346

RTC1348

3935-.003"	A/R
3936-.005"	SS
3937-.010"	
3938-.030"	

NSS

7680(8)

RTC1349(4)

RTC1350(2)

11290(2)

AEU1386
(AEU1104)
AEU1387
(AEU1105)
JLM1264
(AAU8271)
AEU1801

CAC4999 (2)
(RTC1347)

RTC1340

12270(10)

12268(10)

JLM989
(AAU8405)

NSS

7686(2)

7685(4)

RTC1416(4)

11291(2)

JLM558
(AEU1110)

JLM559
(AEU1109)

NSS

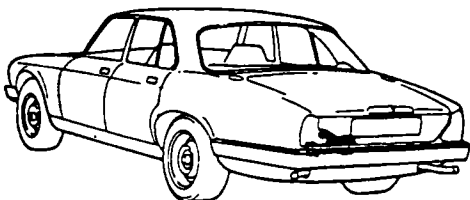
C24119/4(4)

① Not N/America
3.058:1 Powr - lok only

SM7217

② VIN432644

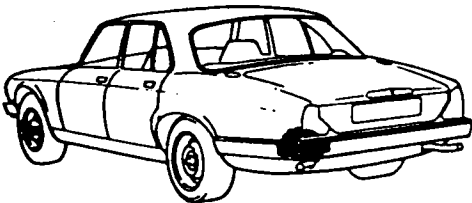
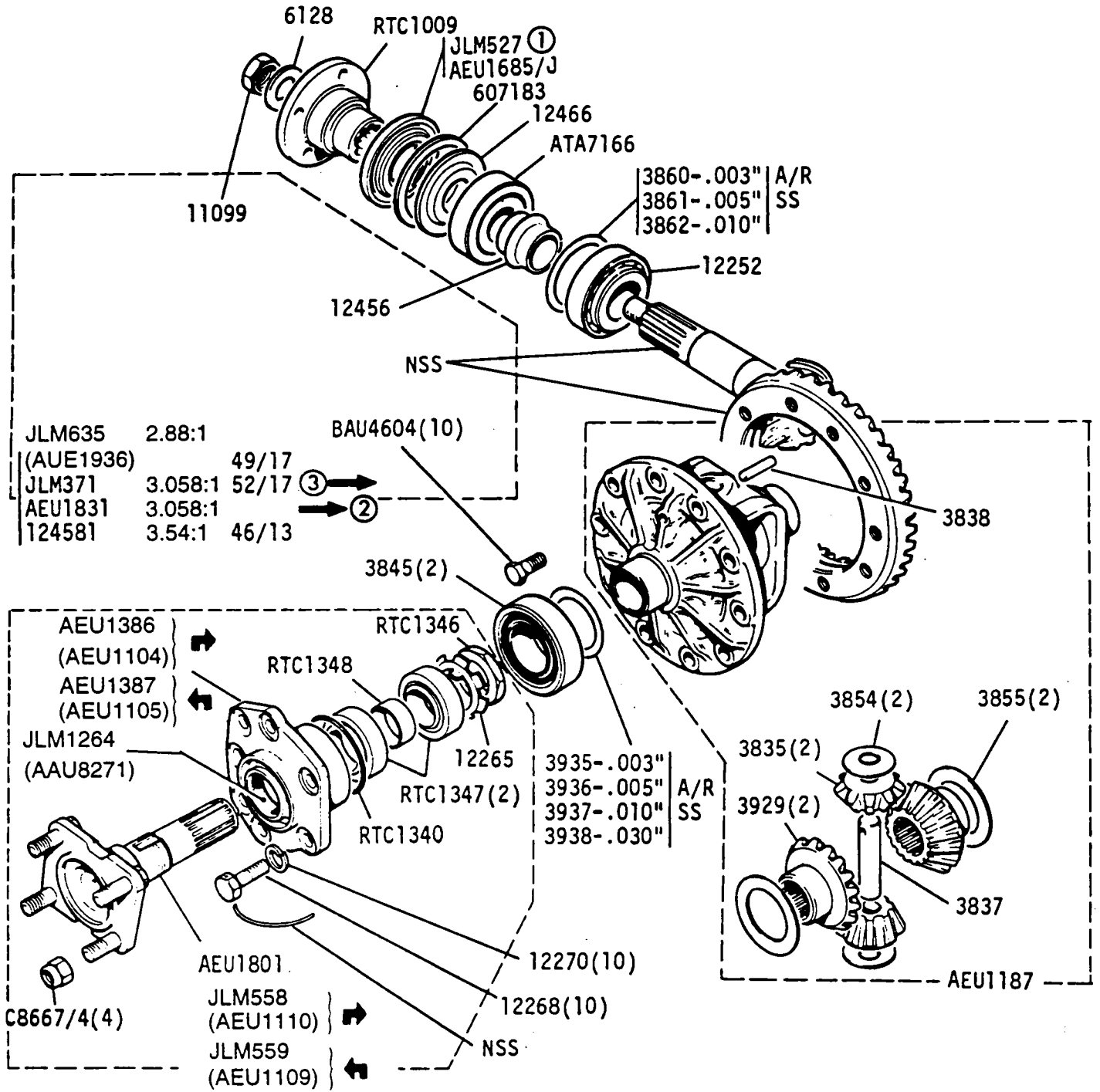
③ VIN432645



Jaguar XJ6 3.4, 4.2 and Jaguar Sovereign Series 3
Daimler 4.2 and Jaguar Vanden Plas Series 3

1F 08L

GROUP E
FINAL DRIVE - drive unit (not powr-lok)



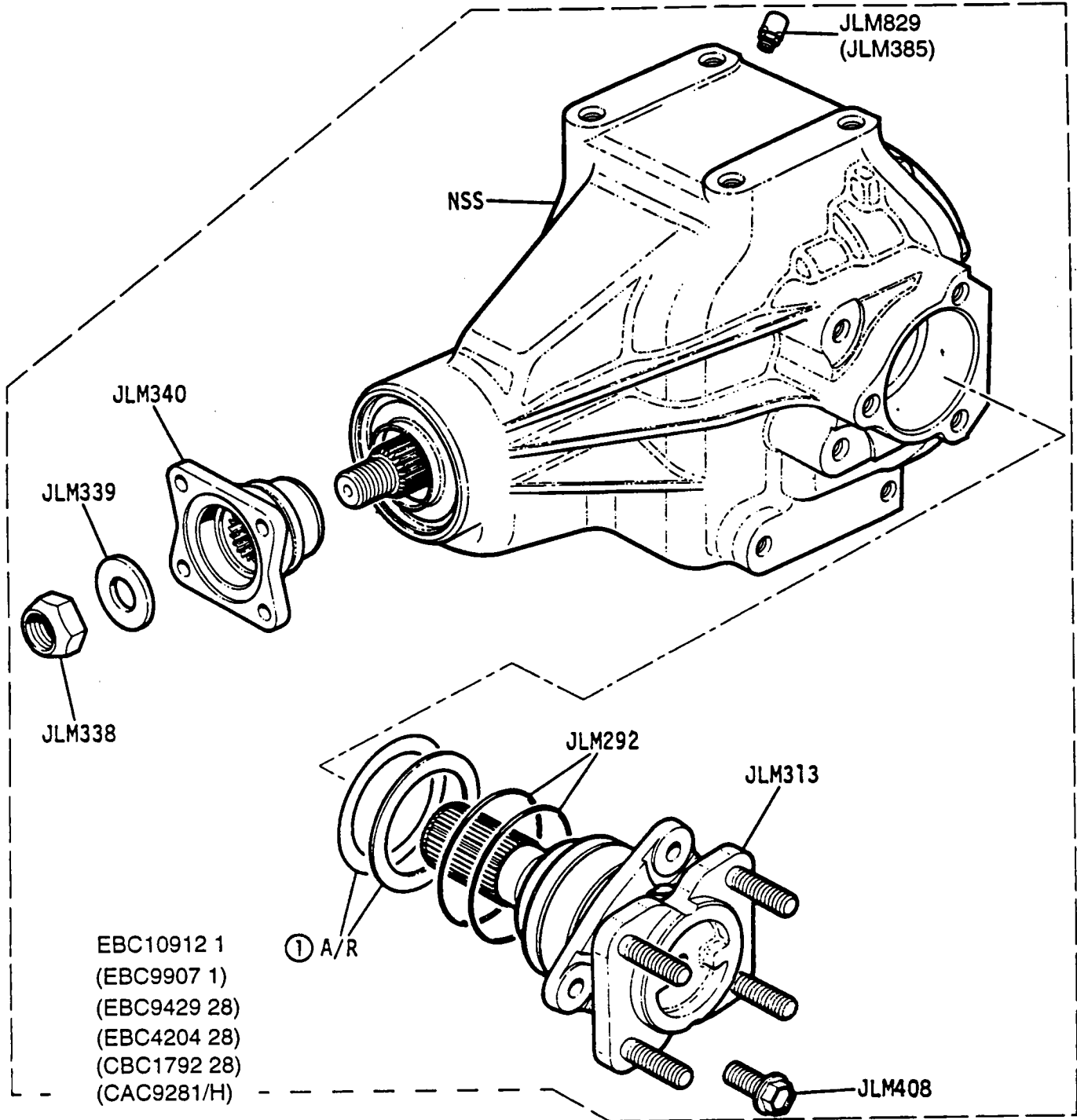
- ① Not N/America
AUST/Switz 3.058:1
- ② VIN432644
- ③ VIN432645

VS1475

Jaguar XJ6 3.4, 4.2 and Jaguar Sovereign Series 3
Daimler 4.2 and Jaguar Vanden Plas Series 3

1F 08R

GROUP E
FINAL DRIVE - "DANA" Drive Unit



- ① JLM443-.003"
JLM444-.005"
JLM445-.010"
JLM446-.030"

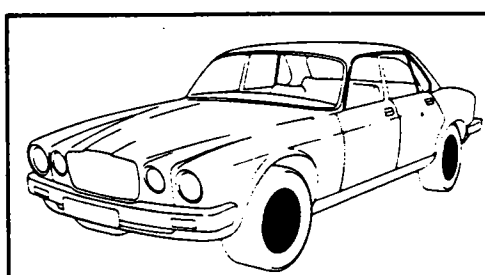
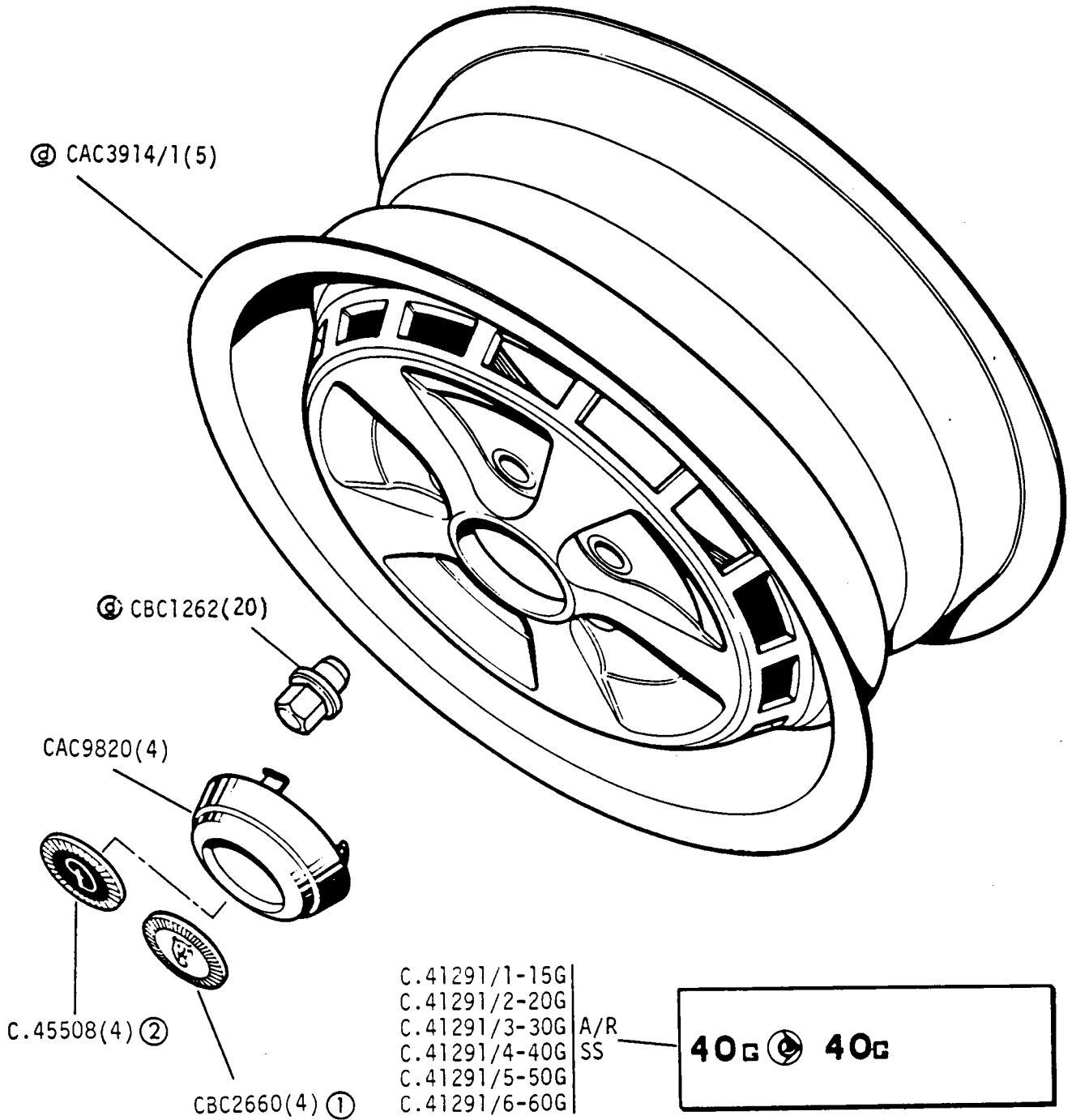
VS4473

JLM337 Oil seal pinion

Jaguar XJ6 3.4, 4.2 and Jaguar Sovereign Series 3
Daimler 4.2 and Jaguar Vanden Plas Series 3

1F 09L

GROUP E
ROAD WHEELS-Alloy.



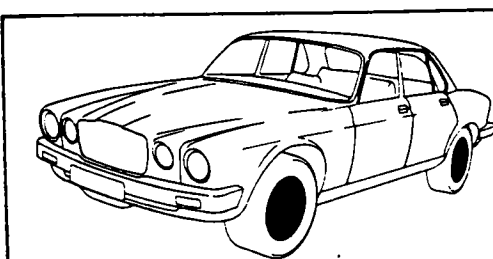
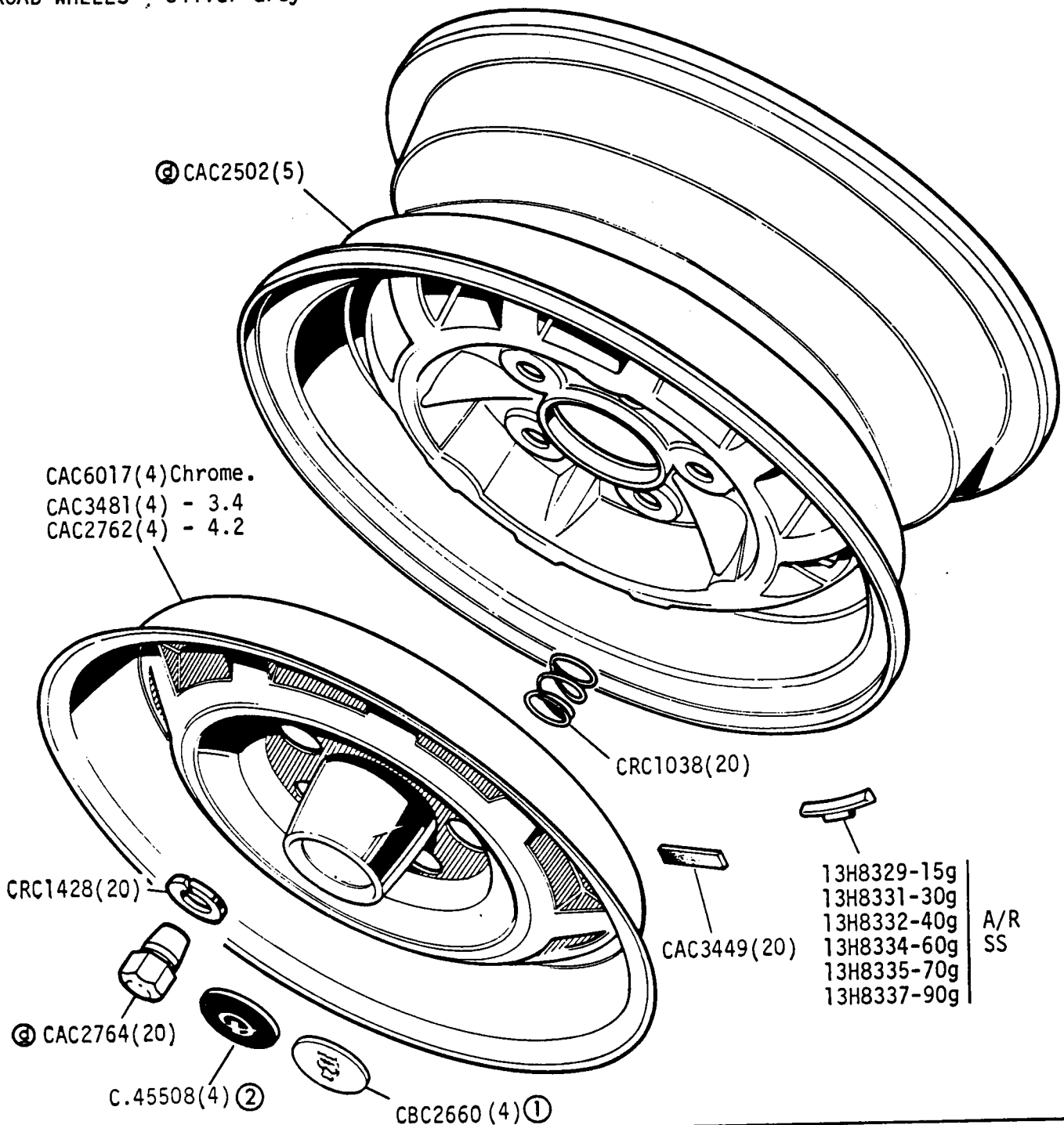
- ① Jaguar models only
- ② Daimler models only

SM7081

Jaguar XJ6 3.4, 4.2 and Jaguar Sovereign Series 3
Daimler 4.2 and Jaguar Vanden Plas Series 3

1F 09R

GROUP E
ROAD WHEELS - Silver Grey



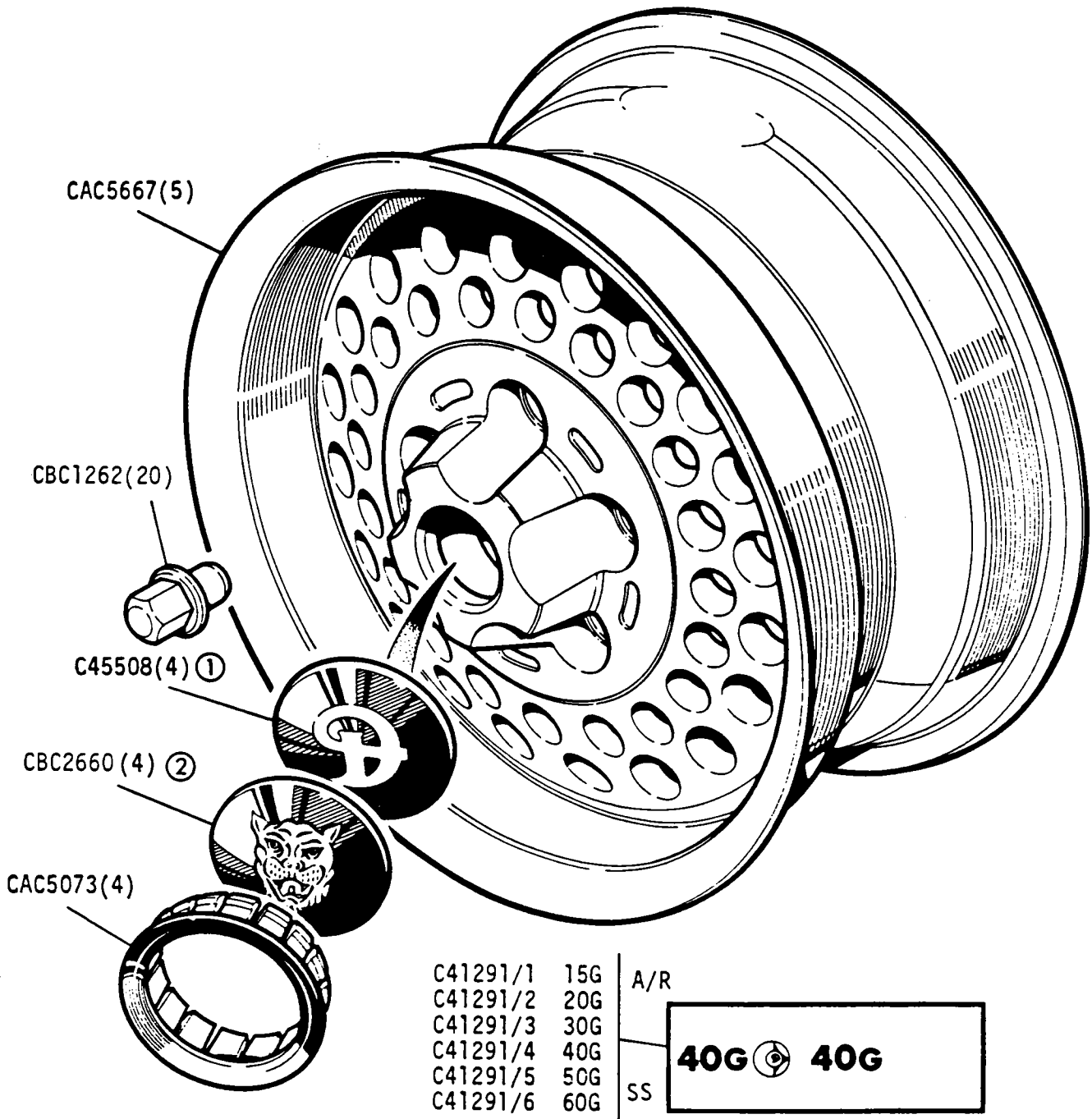
- ① Jaguar models only
- ② Daimler models only

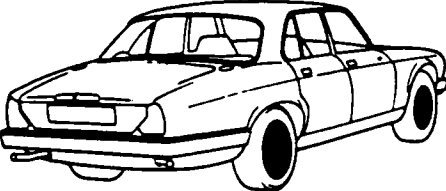
VS1788

Jaguar XJ6 3.4; 4.2 and Jaguar Sovereign Series 3
Daimler 4.2 and Jaguar Vanden Plas Series 3

1F 10L

GROUP E
ROAD WHEELS - Ogle Perforated





① DAIMLER MODELS

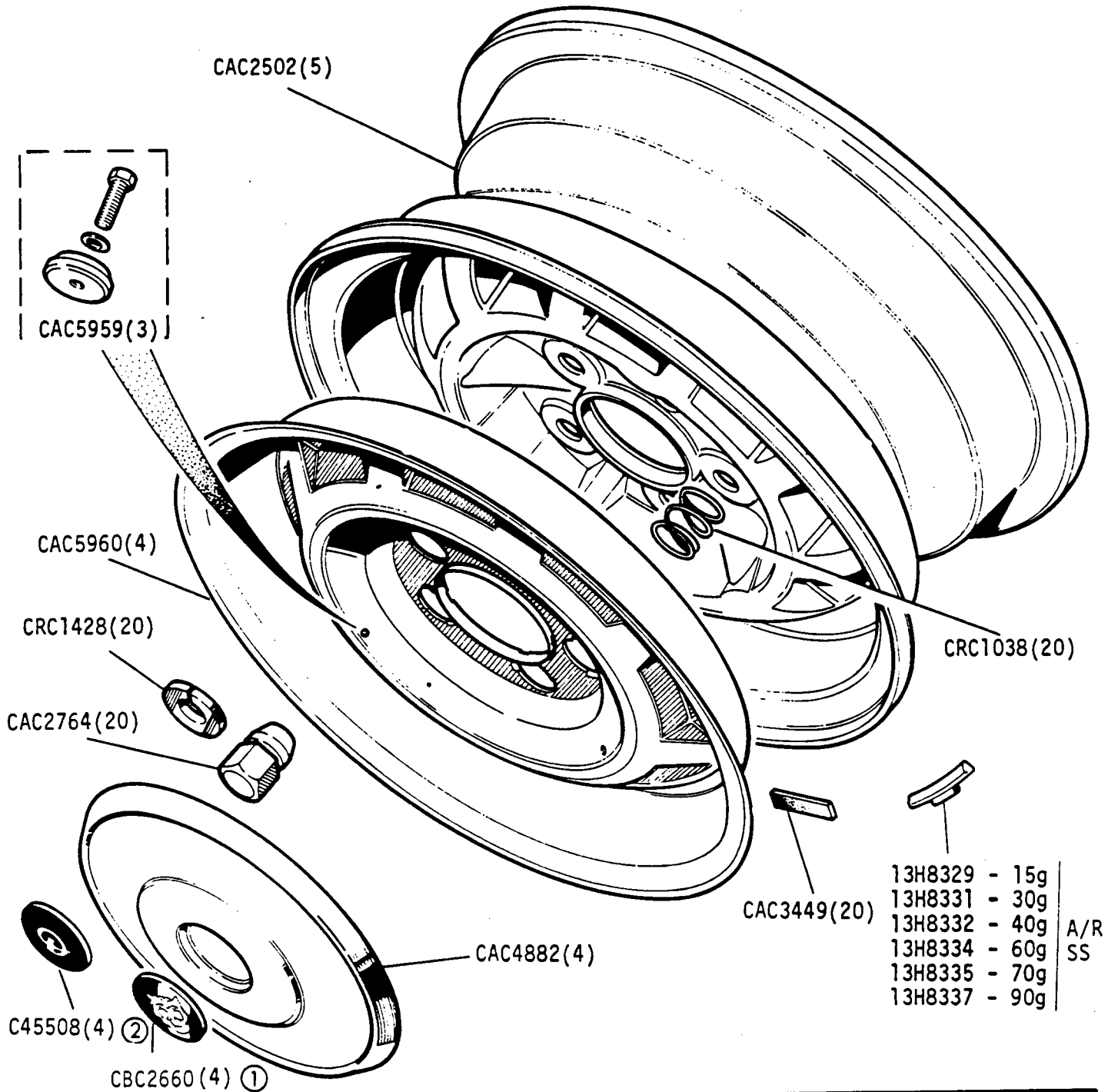
② JAGUAR MODELS

VS3926

Jaguar XJ6 3.4, 4.2 and Jaguar Sovereign Series 3
Daimler 4.2 and Jaguar Vanden Plas Series 3

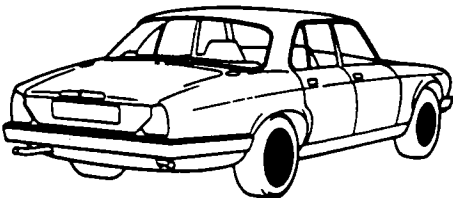
1F 10R

GROUP E
ROAD WHEELS - Pressed Spoke, Silver Grey



- ① Jaguar models only
② Daimler models only

VS4050



Jaguar XJ6 3.4, 4.2 and Jaguar Sovereign Series 3
Daimler 4.2 and Jaguar Vanden Plas Series 3

1F 11L